




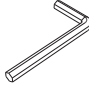





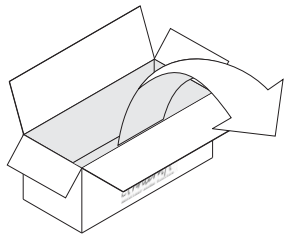
## TEAK BOK EXTENDABLE DINING TABLE ASSEMBLY INSTRUCTIONS FOR DINING TABLE INSTALLATION

### HARDWARE ENCLOSED

 <b>JCBC SCREW</b> (6 pcs) M6x50	 <b>SPAX SCREW</b> (4 pcs) M6x100	 <b>SPAX SCREW</b> (4 pcs) M6x120
 <b>WASHER</b> (8 pcs) M6x18	 <b>WASHER</b> (6 pcs) M8x23	

### TOOLS

 <b>L KEY</b> (included in package)	 <b>TORX ALLEN SCREW</b> (included in package)	 <b>SCREWDRIVER</b> (not included in package)	 <b>SCISSORS</b> (not included in package)
---	---	--	---

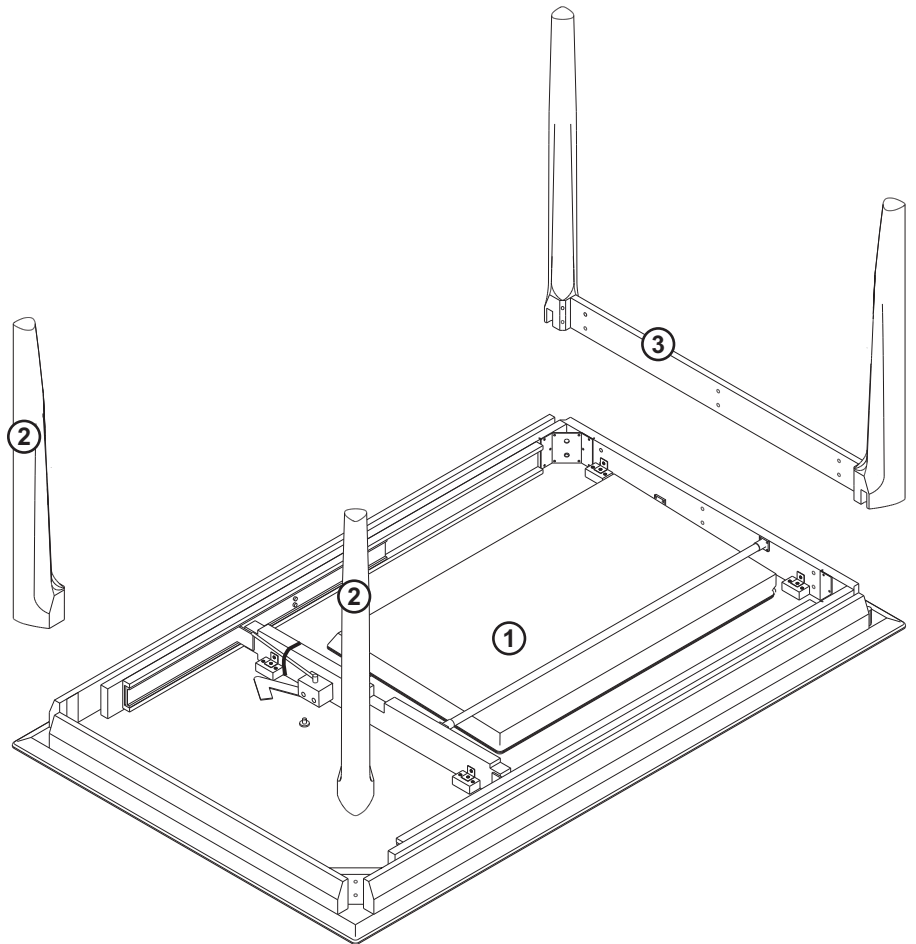


### IN YOUR PACKAGE :

ASSEMBLY INSTRUCTION  
HARDWARE ( AS LISTED ABOVE)

### PARTS TO BE INSTALLED

1. TOP PANEL 1pc
2. LEGS 2pcs
3. LEG 1set

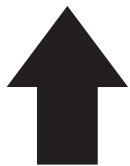


### RECOMMENDATION :

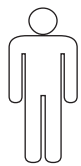


In order to avoid colour differences between the fixed table top and the extensions due to UV light, we suggest to put your dining table in extended version during the first month.

### SYMBOLS



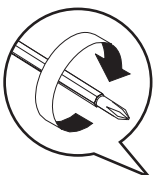
DIRECTION



NUMBER OF PERSON NEEDED



USE HAND



USE SCREWDRIVER

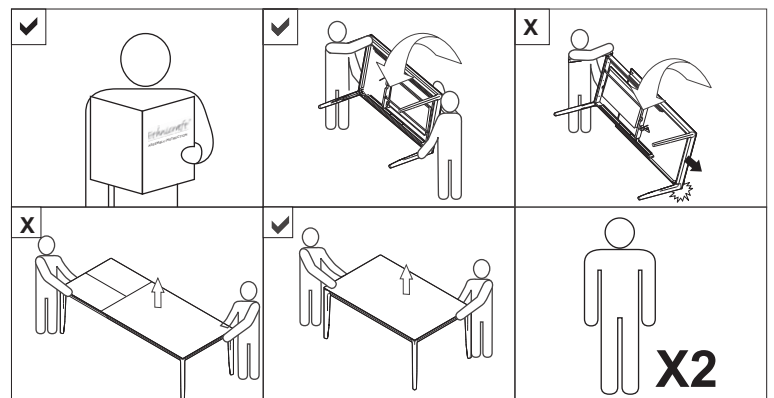


USE L KEY TO TIGHTEN



USE TORX ALLEN SCREW TO TIGHTEN

### NOTICE

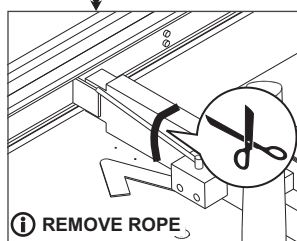
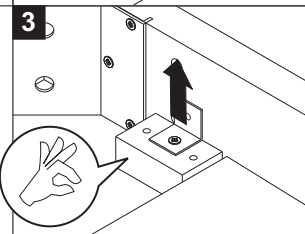
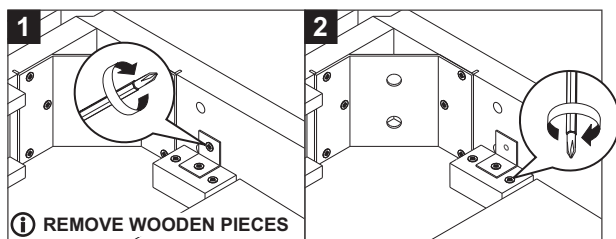
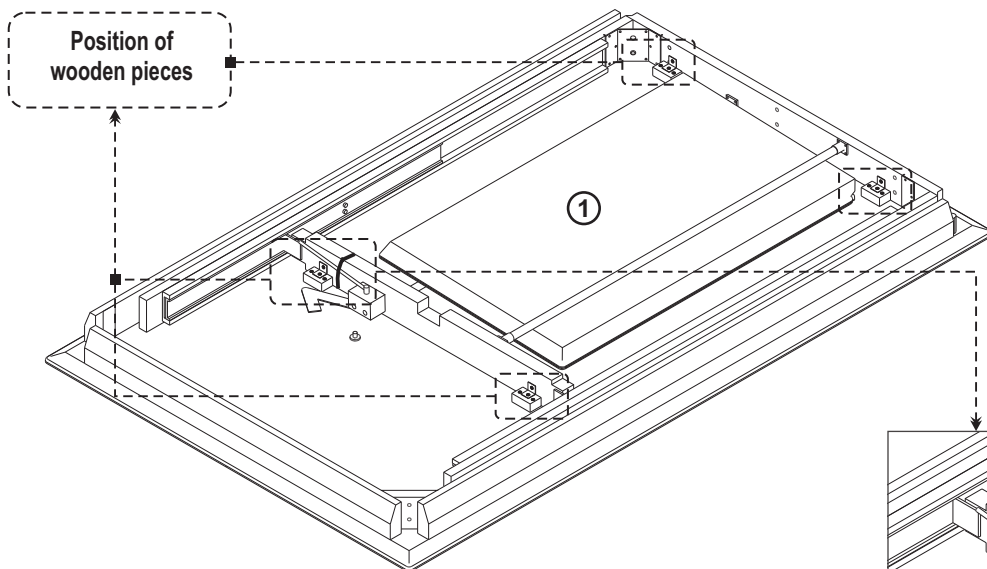


### WHEN LIFTING THE TABLE :

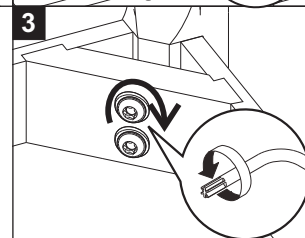
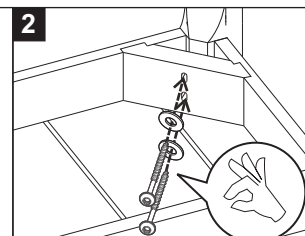
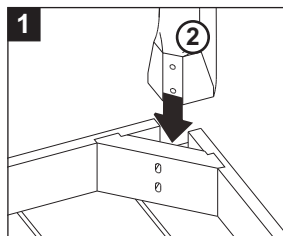
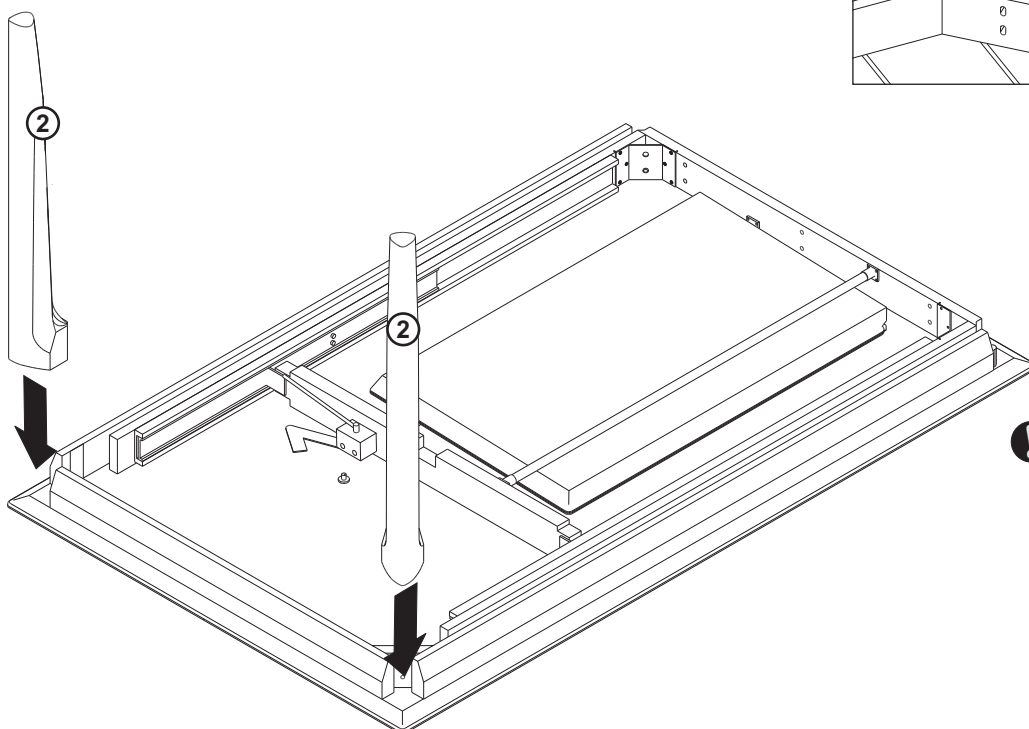
- LIFT ONLY ON THE APRON
- MAKE SURE TABLE IS IN UNEXTENDED POSITION

## TEAK BOK EXTENDABLE DINING TABLE ASSEMBLY INSTRUCTIONS FOR DINING TABLE INSTALLATION

### A. REMOVE WOODEN PIECES



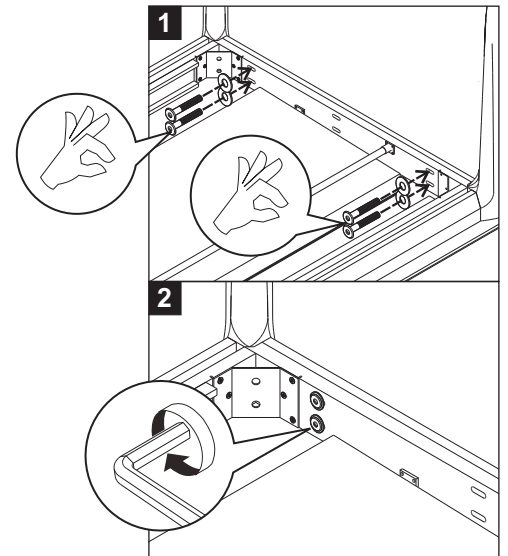
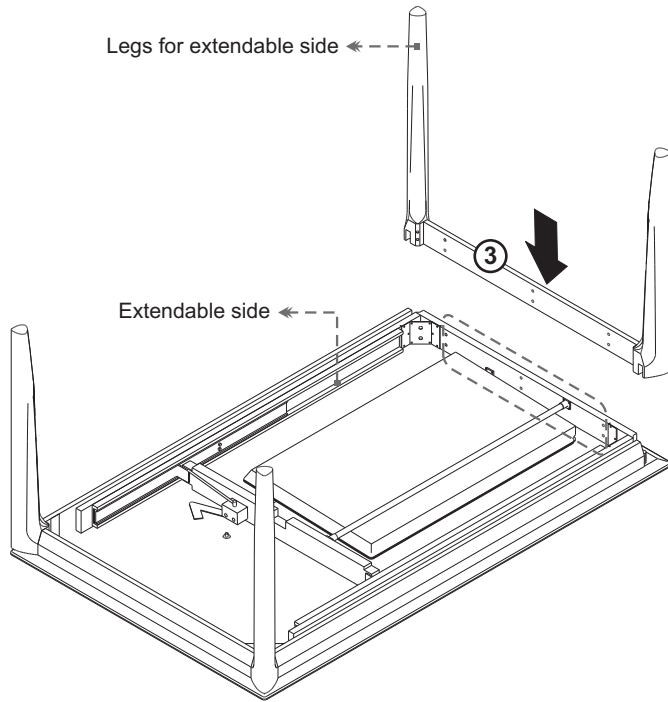
### B. INSTALLING THE LEGS TO TABLE TOP



- ! - USE SPAX SCREW M6x100 (4X)
- USE WASHER M6x18 (4X)
- TIGHTEN FULLY

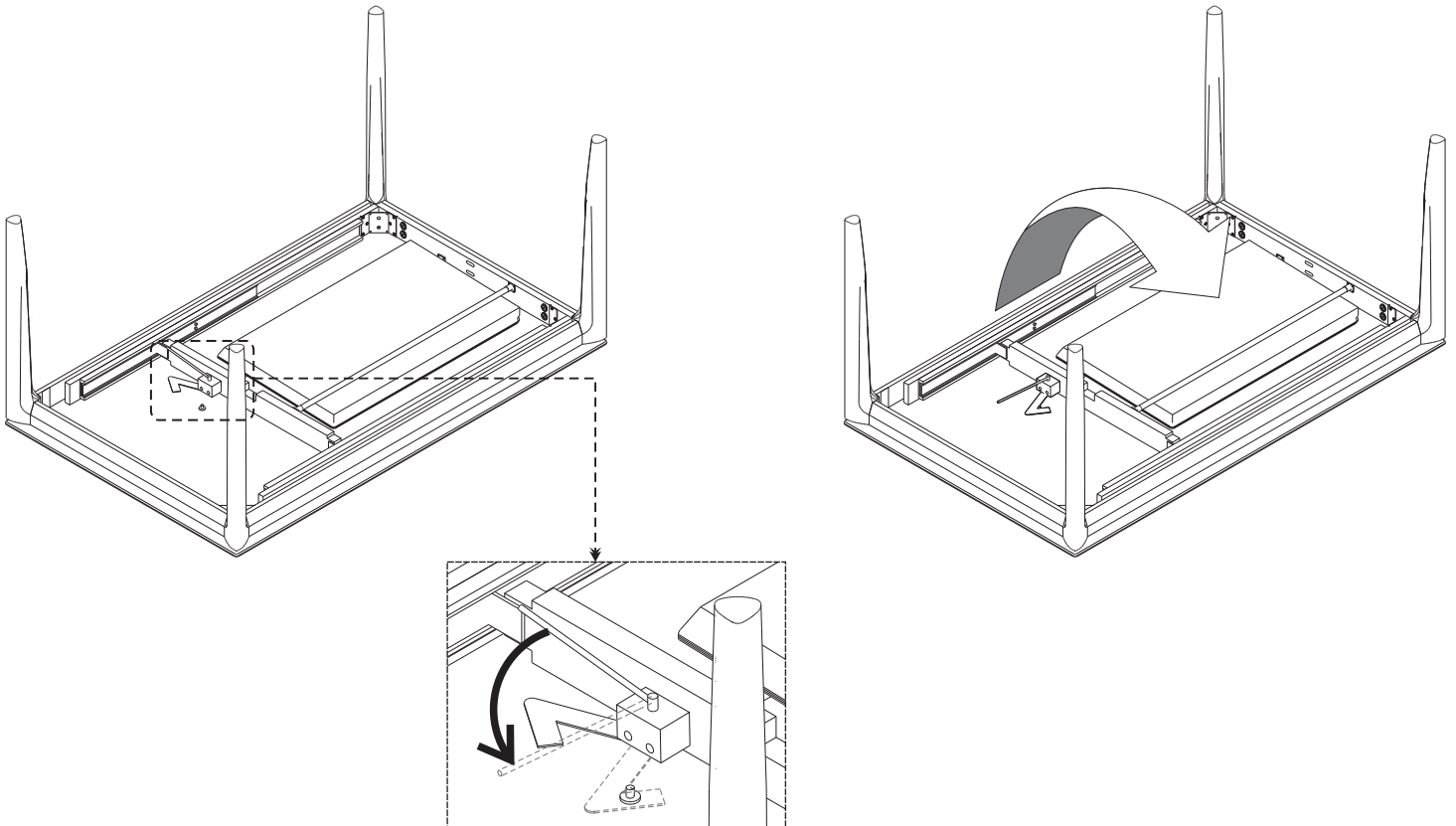
## TEAK BOK EXTENDABLE DINING TABLE ASSEMBLY INSTRUCTIONS FOR DINING TABLE INSTALLATION

### C. INSTALLING LEG SET TO TABLE TOP



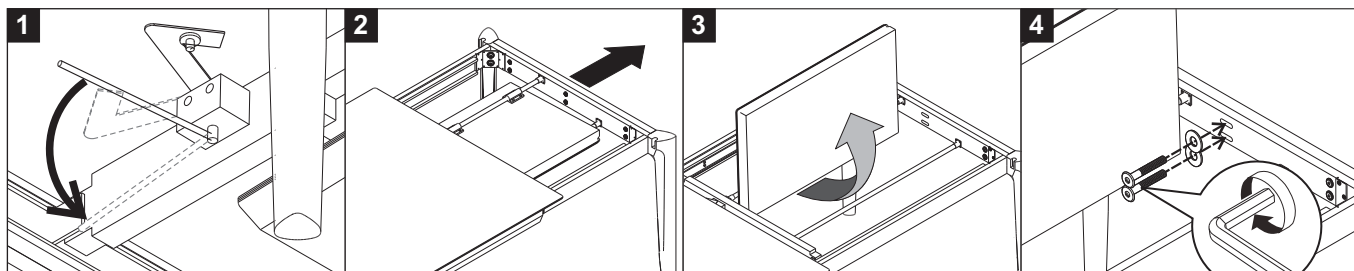
- ! - USE JCBC SCREW 6x50 (4X)
- USE WASHER M8x23 (4X)
- INSTALLING SCREWS ON THE LEFT & RIGHT SIDE
- DO NOT FULLY TIGHTEN

### D. LOCK THE TABLE TOP

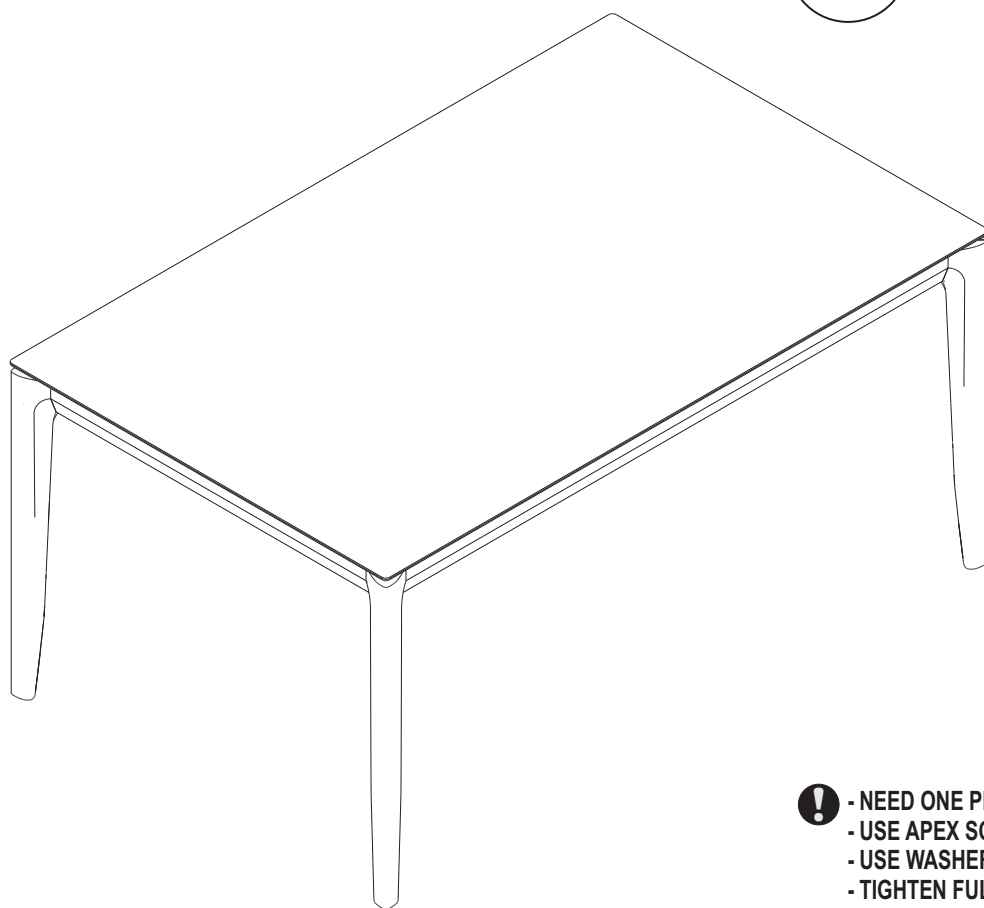
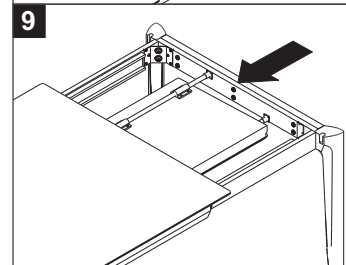
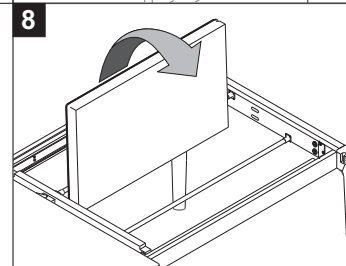
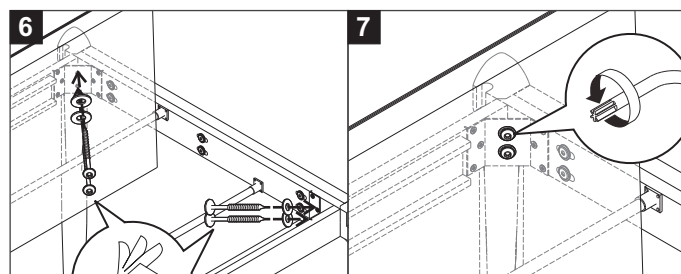
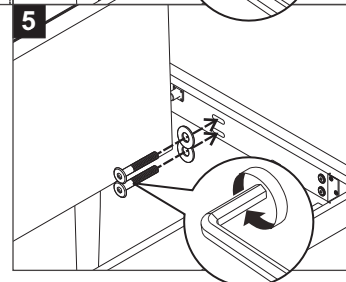


## TEAK BOK EXTENDABLE DINING TABLE ASSEMBLY INSTRUCTIONS FOR DINING TABLE INSTALLATION

### E. INSTALLING SCREWS ON THE LEG FOR EXTENDABLE SIDE



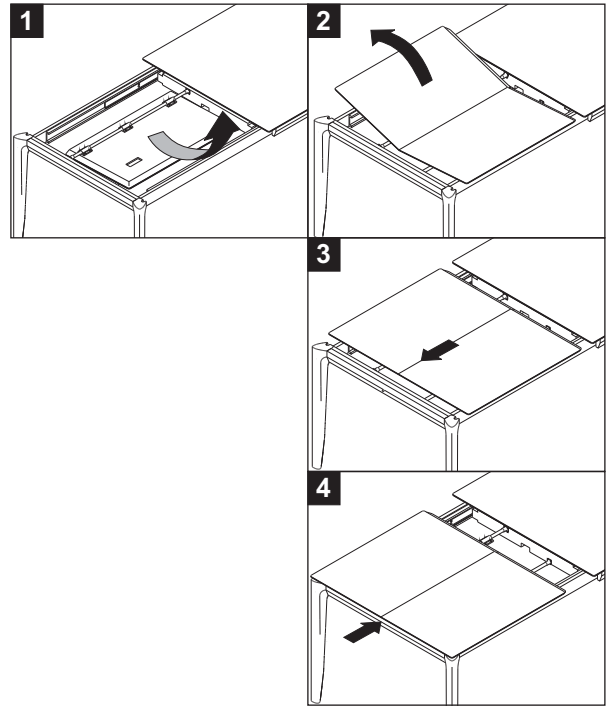
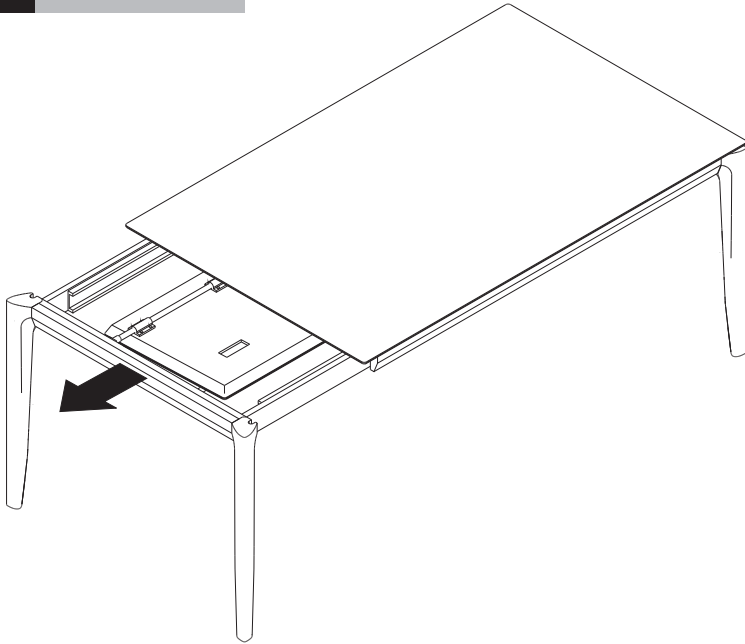
- ! - UNLOCK BEFORE EXTENDING
- NEED ONE PERSON TO HOLD THE EXTENDABLE PANEL
- USE JCBC SCREW 6x50 (2X)
- USE WASHER M8x23 (2X)
- INSTALLING SCREWS ON THE MIDDLE SIDE
- DO NOT FULLY TIGHTEN



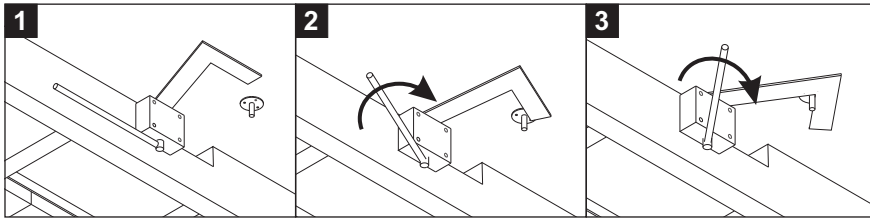
- ! - NEED ONE PERSON TO HOLD THE EXTENDABLE PANEL
- USE APEX SCREW M6x120 (4X)
- USE WASHER M6x18 (4X)
- TIGHTEN FULLY ALL SCREWS

## TEAK BOK EXTENDABLE DINING TABLE ASSEMBLY INSTRUCTIONS FOR DINING TABLE INSTALLATION

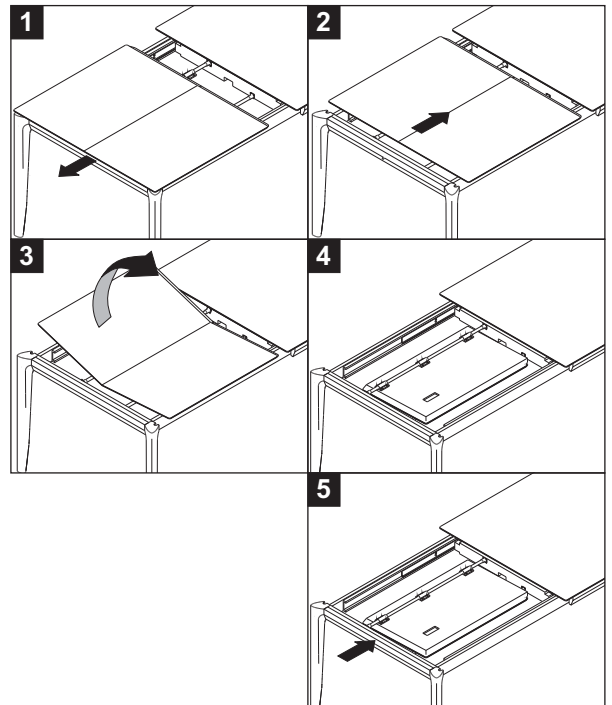
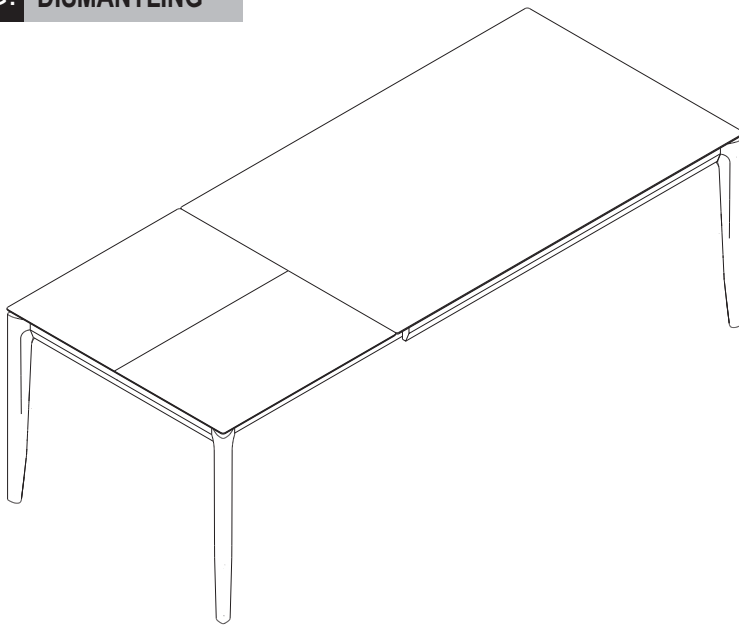
### F. EXTENDING



NOTE : LOCK AFTER EXTENDING



### G. DISMANTLING



NOTE : UNLOCK BEFORE DISMANTLING

