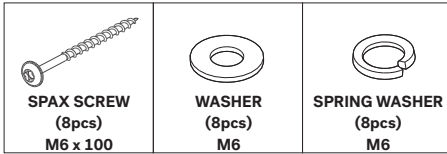
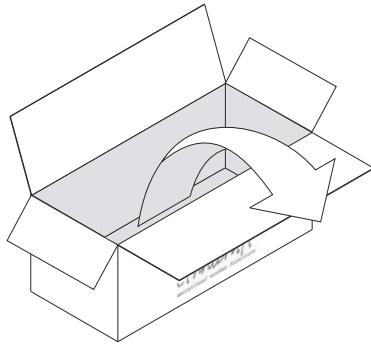


## BOK DINING TABLE - OUTDOOR ASSEMBLY INSTRUCTIONS FOR DINING TABLE INSTALLATION

### HARDWARE ENCLOSED



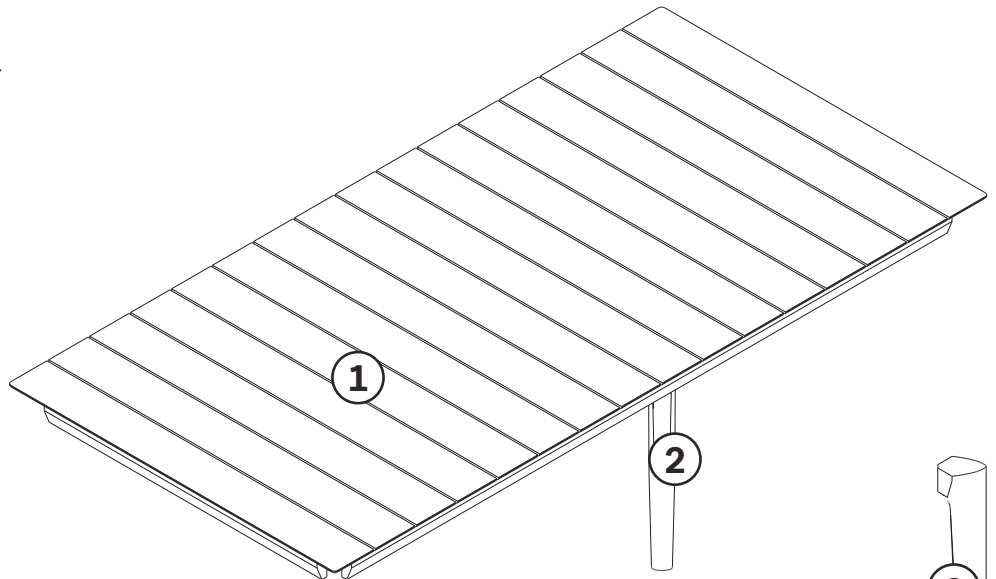
### TOOL



**IN YOUR PACKAGE :**  
 ASSEMBLY INSTRUCTIONS  
 HARDWARE (AS LISTED ABOVE)

### PARTS TO BE INSTALLED

1. TABLE TOP 1pc
2. LEGS 4pcs

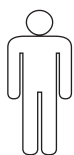


**i LEGS ARE INTERCHANGEABLE**

### SYMBOLS



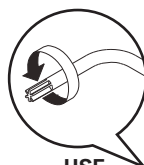
**DIRECTION**



**NUMBER OF PERSONS NEEDED**

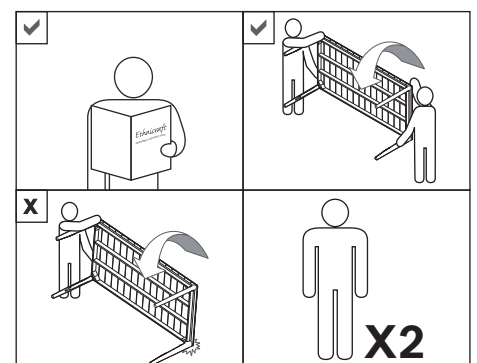


**USE HAND**



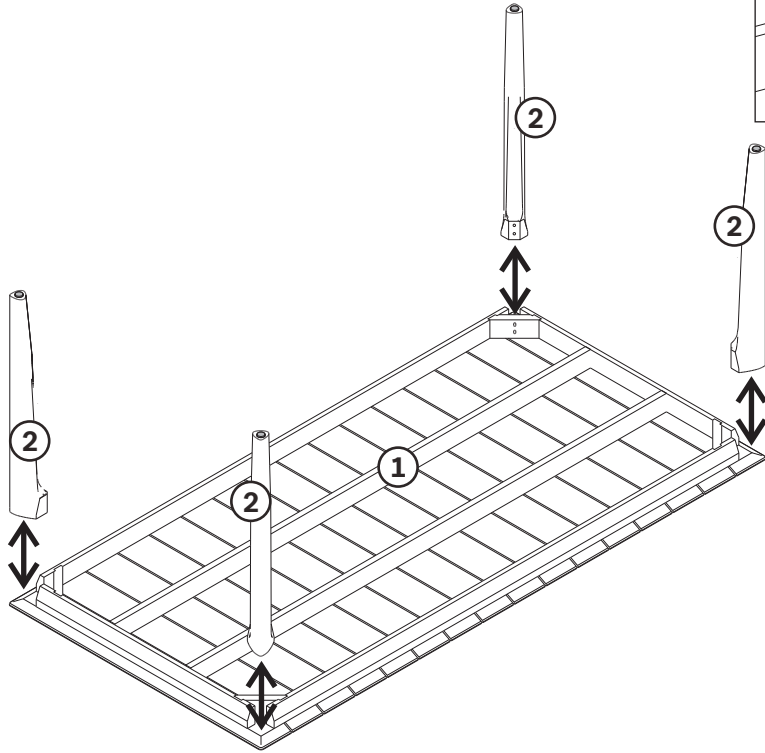
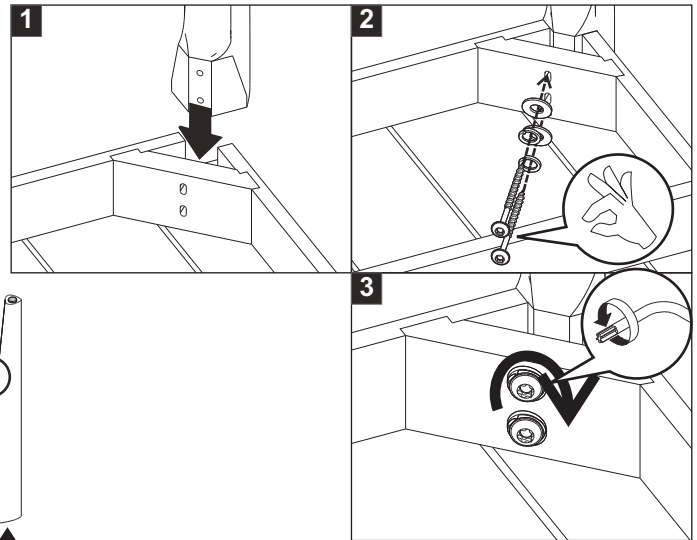
**USE TORX ALLEN SCREW TO TIGHTEN**

### NOTICE



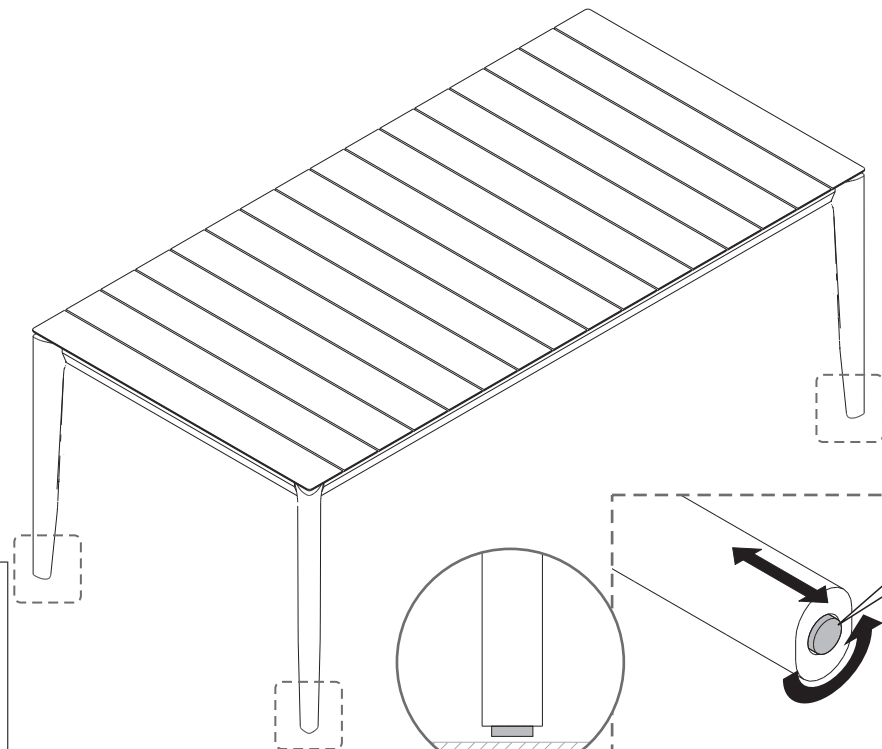
## BOK DINING TABLE - OUTDOOR ASSEMBLY INSTRUCTIONS FOR DINING TABLE INSTALLATION

### A. CONNECTING LEGS TO TABLE TOP

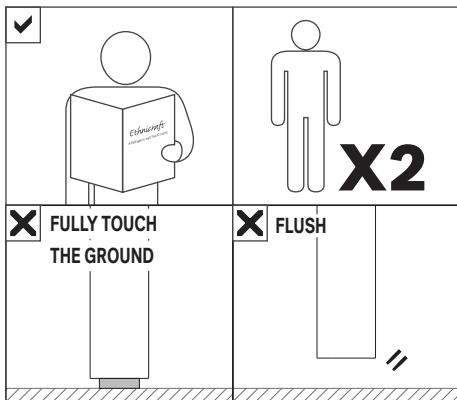


- NOT TOO TIGHT
- TO BE RE-TIGHTENED AFTER 15 DAYS
- REPEAT STEP 1 TO STEP 3 FOR OTHER LEGS

### B. ADJUST LEVELER



#### NOTICE



#### **IMPORTANT NOTICE :**

TO PREVENT WARPING, BEFORE USING A TABLE, ALWAYS ADAPT THE ADJUSTABLE GLIDES OF THE EACH LEGS TO THE GROUND SURFACE. FOR STABILITY, EACH LEGS NEED TO BE SLIGHTLY SHORTER.