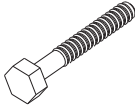


# ASSEMBLY INSTRUCTION FOR BENCH INSTALLATION

## HARDWARE

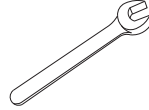


WASHER  
8 pcs

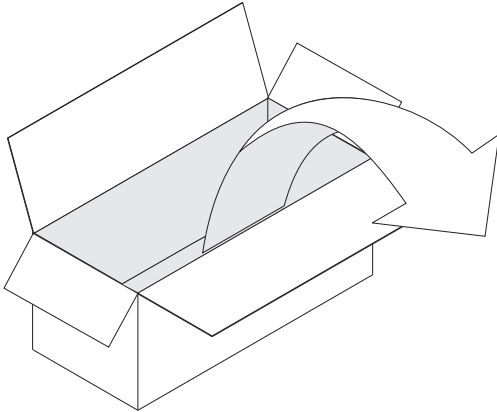


HEXACAP SCREW  
8 pcs

## TOOLS

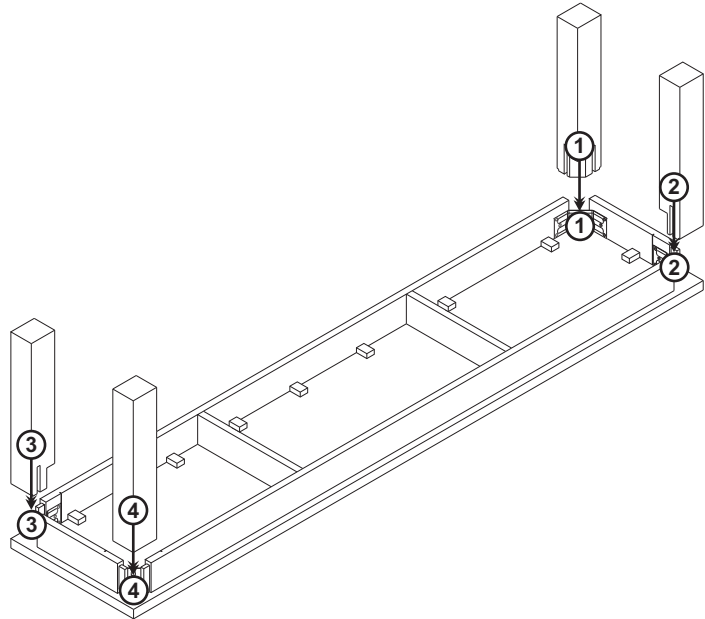


WRENCH  
(not included in package)

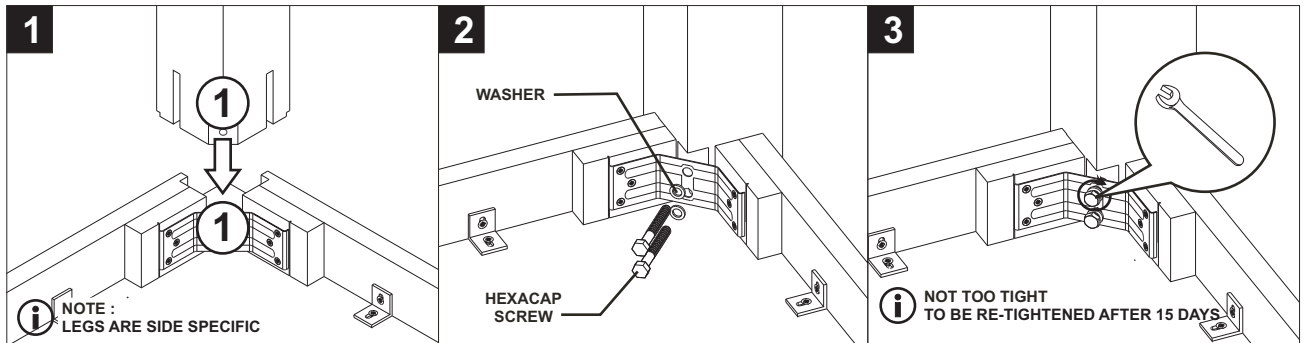


### IN YOUR PACKAGE :

- ASSEMBLY INSTRUCTION
- HARDWARE (AS LISTED ABOVE)
- ITEM TO BE INSTALLED
  - TABLE TOP 1 pc
  - LEGS 4 pcs



## CONNECTING THE LEGS AND THE TABLE TOP



REPEAT STEP 1 TO STEP 3 FOR OTHER LEGS

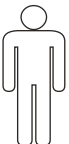
## SYMBOLS



USE WRENCH  
TO TIGHTEN



DIRECTION



NUMBER OF  
PERSONS NEEDED

## NOTICE

