
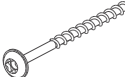



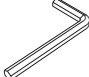



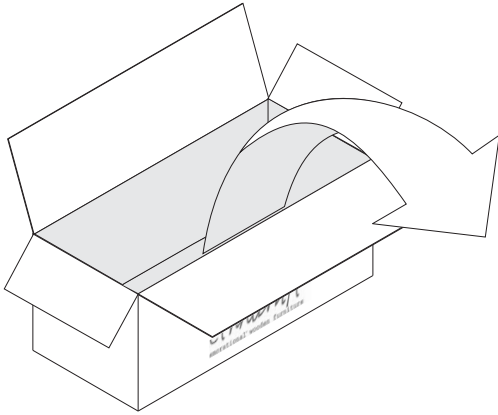
OAK BOK EXTENDABLE DINING TABLE ASSEMBLY INSTRUCTIONS FOR DINING TABLE INSTALLATION

HARDWARE ENCLOSED

 SPAX SCREW (4 pcs) M6x80	 SPAX SCREW (4 pcs) M6x120	 SCREW (6 pcs) M6x40	 WASHER (8 pcs) M8
---	--	--	--

TOOLS

 TORX ALLEN SCREW (included in package)	 L KEY (included in package)	 SCREWDRIVER (not included in package)
--	---	---

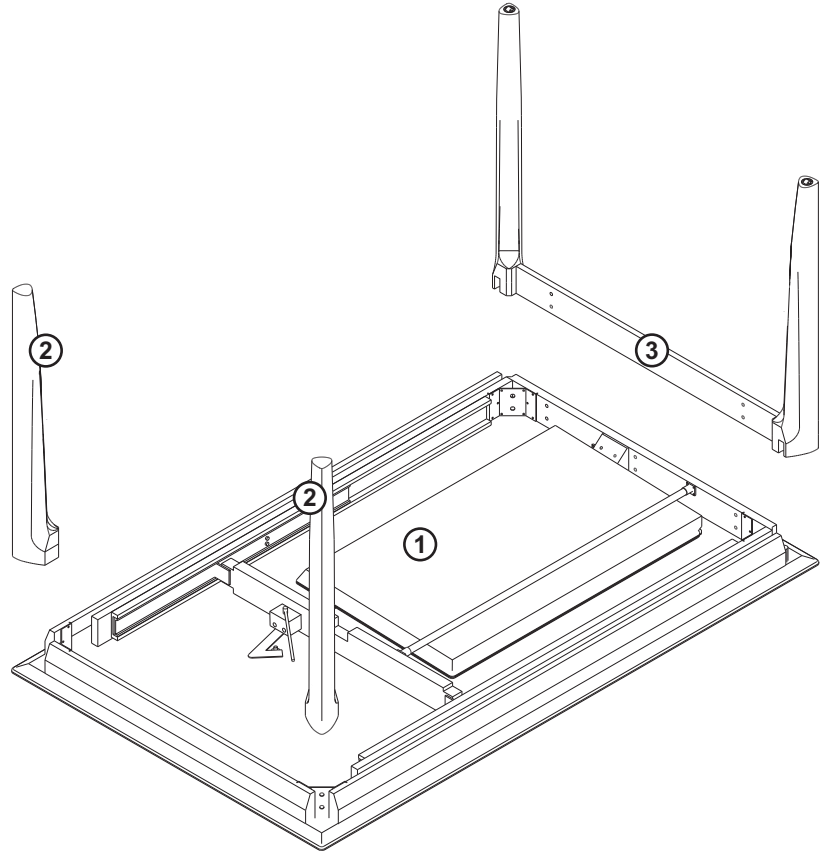


IN YOUR PACKAGE :

ASSEMBLY INSTRUCTIONS
HARDWARE (AS LISTED ABOVE)

PARTS TO BE INSTALLED

1. TOP PANEL 1pc
2. LEGS 2pcs
3. LEG 1set



RECOMMENDATION :

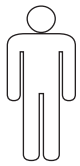


In order to avoid colour differences between the fixed table top and the extensions due to UV light, we suggest to put your dining table in extended version during the first month.

SYMBOLS



DIRECTION



NUMBER OF PERSON NEEDED



USE HAND



USE WRENCH TO TIGHTEN

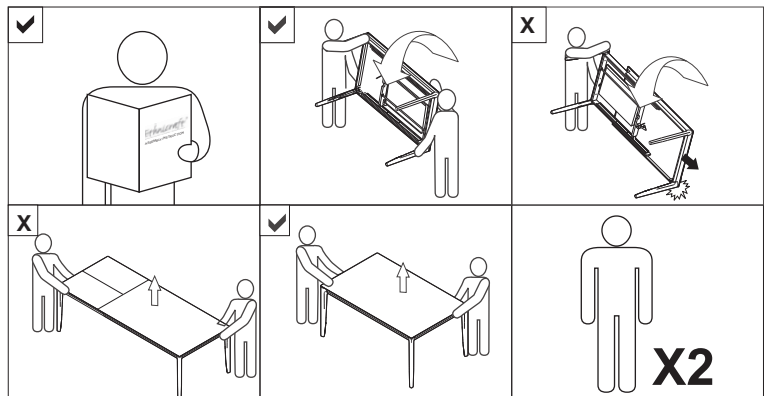


USE SCREWDRIVER



USE TORX ALLEN SCREW

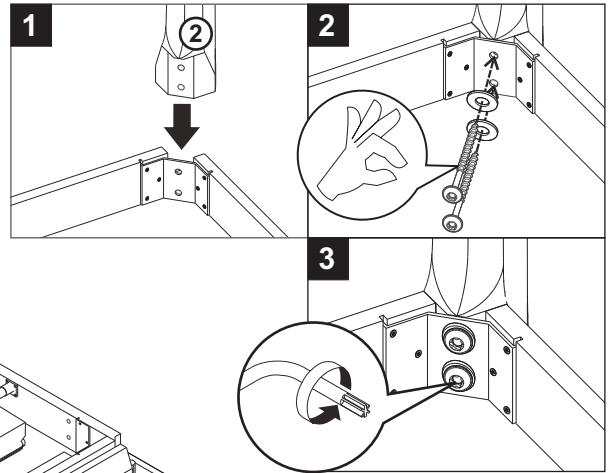
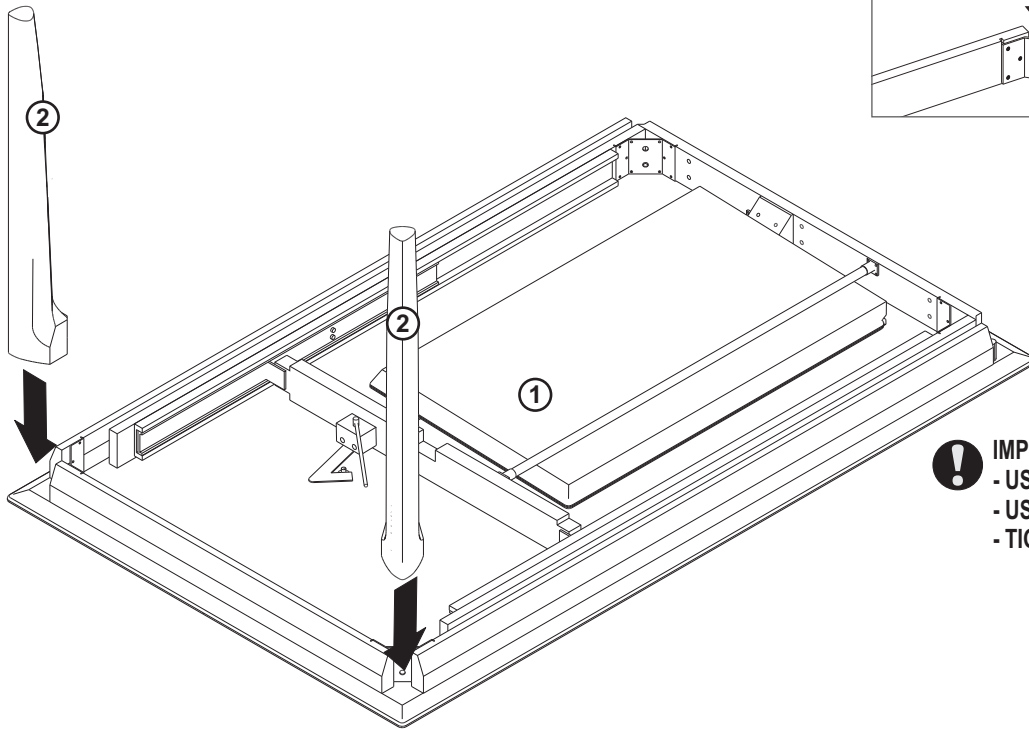
NOTICE



WHEN LIFTING THE TABLE :
- LIFT ONLY ON THE APRON
- MAKE SURE TABLE IS IN UNEXTENDED POSITION

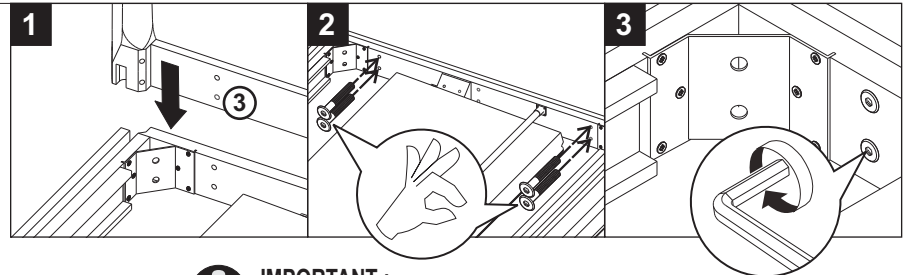
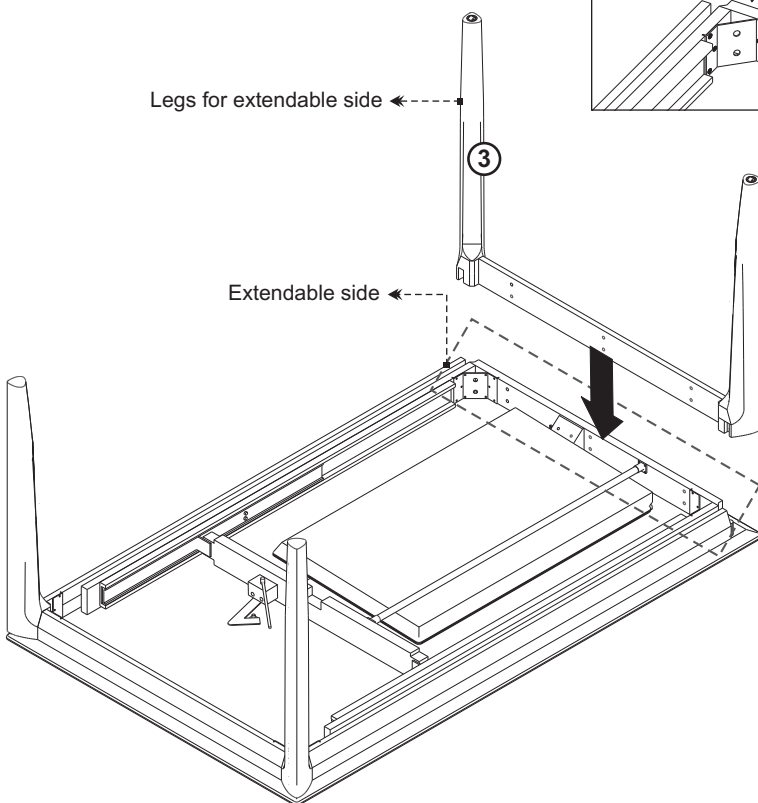
OAK BOK EXTENDABLE DINING TABLE
 ASSEMBLY INSTRUCTIONS FOR DINING TABLE INSTALLATION

A. INSTALLING THE LEGS TO TABLE TOP

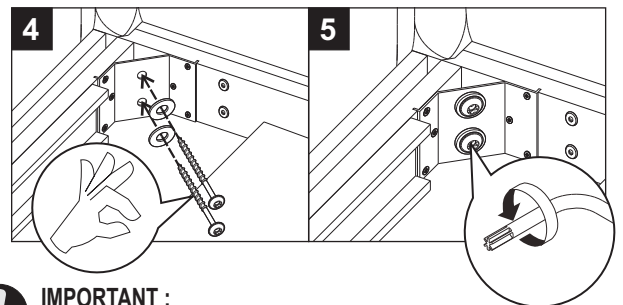


- ! IMPORTANT :**
- USE WASHER M8
 - USE SPAX SCREW M6x80 FOR THE FIXED LEGS
 - TIGHTEN FULLY

B. INSTALLING LEG SET TO TABLE TOP



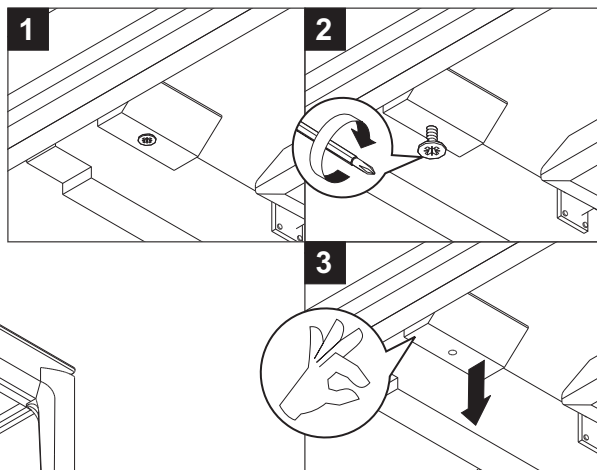
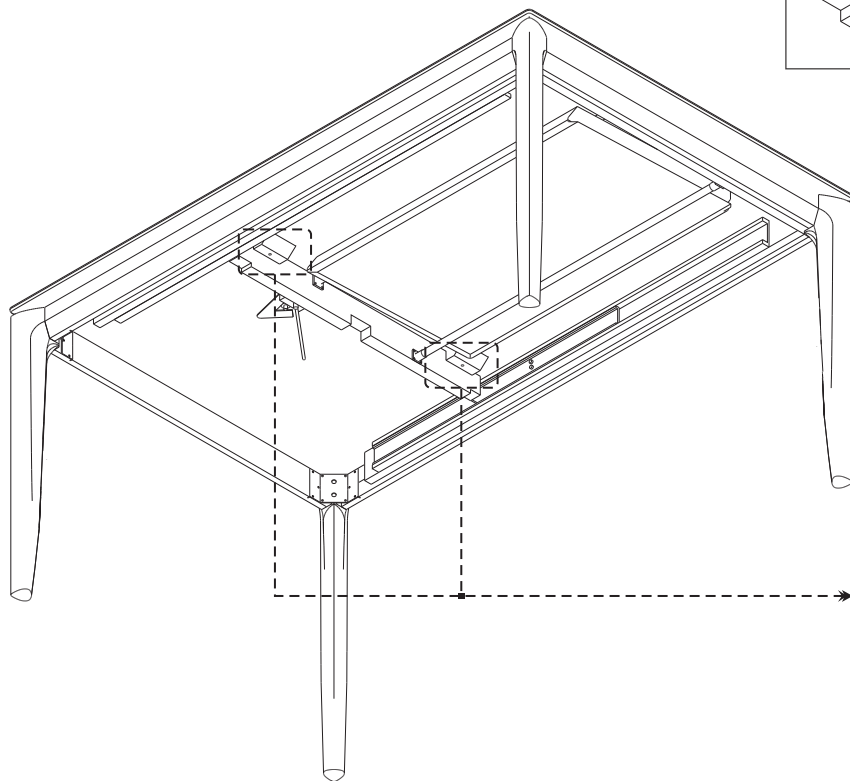
- ! IMPORTANT :**
- INSTALL SCREWS ON RIGHT & LEFT SIDE OF APRON FIRST
 - MIDDLE SCREWS ON APRON ARE INSTALLED AFTER TABLE IS IN STANDING POSITION
 - DO NOT FULLY TIGHTEN



- ! IMPORTANT :**
- USE WASHER M8
 - USE SPAX SCREW M6x120 FOR THE EXTENDABLE LEGS
 - TIGHTEN FULLY ALL SCREWS

OAK BOK EXTENDABLE DINING TABLE ASSEMBLY INSTRUCTIONS FOR DINING TABLE INSTALLATION

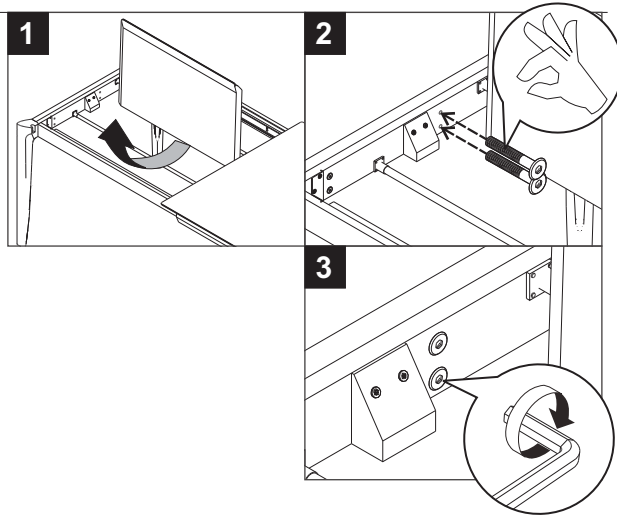
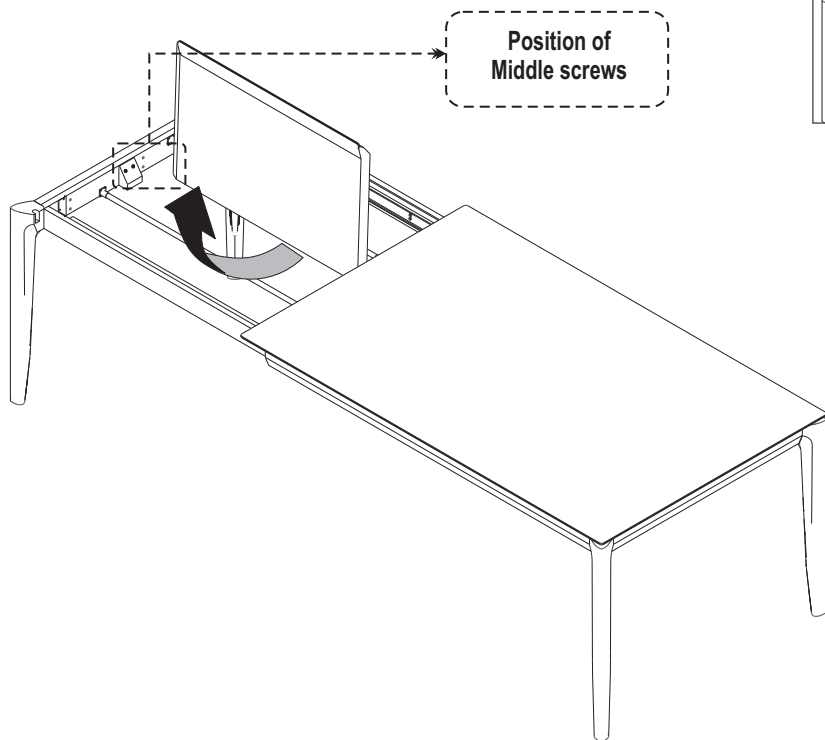
C. REMOVE WOODEN PIECES



! REMOVE WOODEN PIECES
BEFORE EXTENDING THE TABLE

Position of
wooden pieces

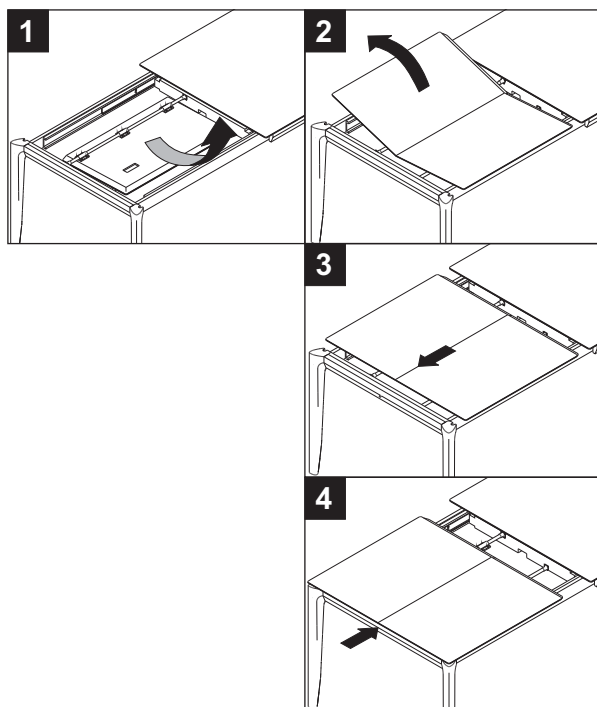
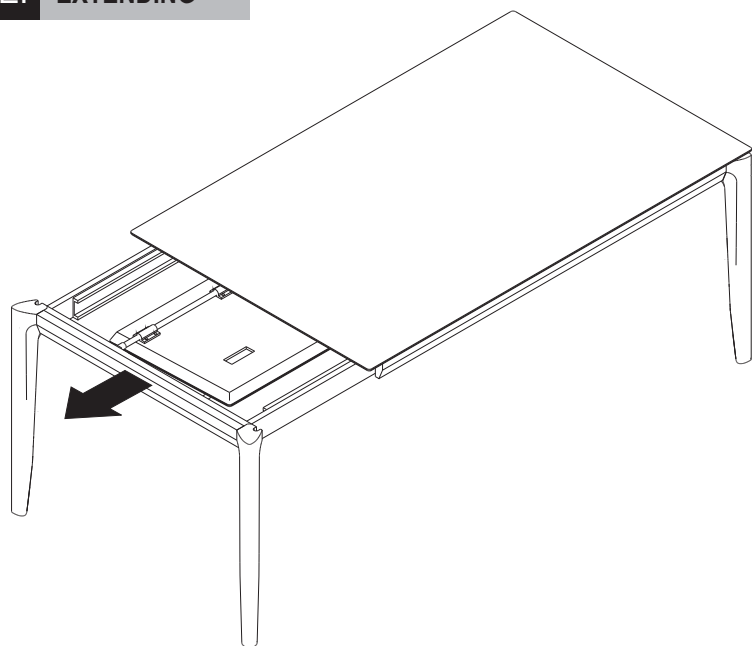
D. INSTALLING SCREW IN THE MIDDLE SIDE



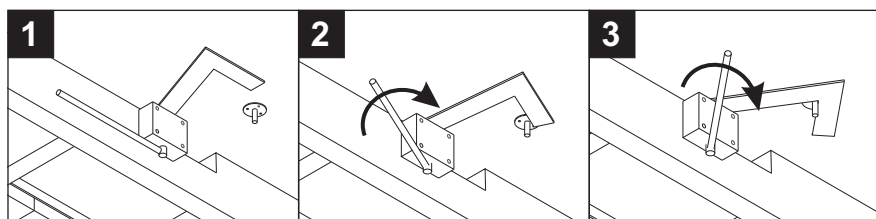
! - ONE PERSON HOLD THE EXTENSION LEAVES
- USE SCREW M6x40
- TIGHTEN FULLY

OAK BOK EXTENDABLE DINING TABLE ASSEMBLY INSTRUCTIONS FOR DINING TABLE INSTALLATION

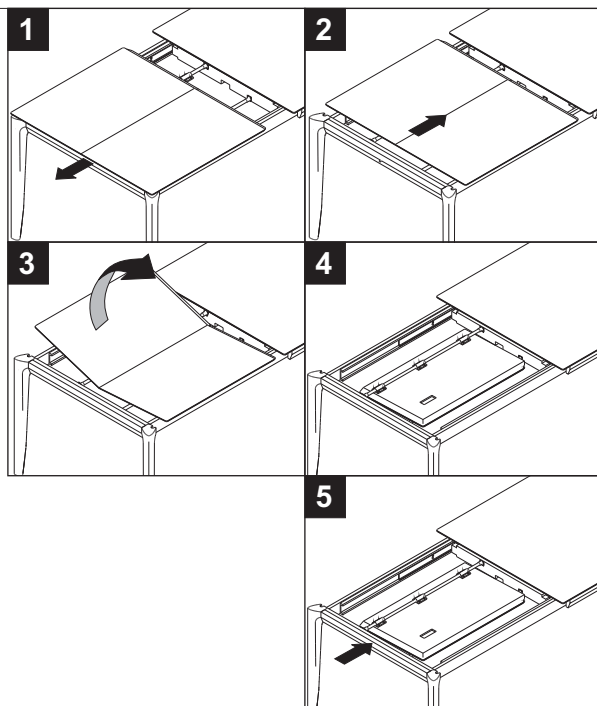
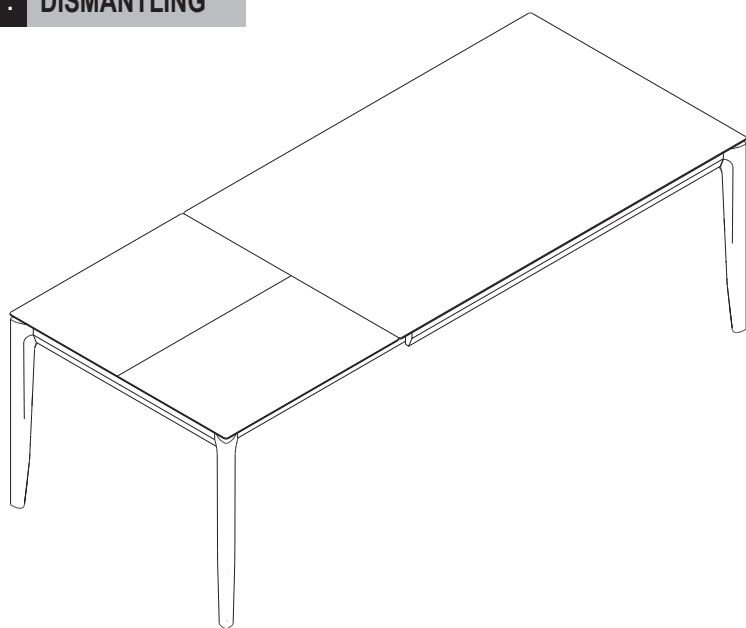
E. EXTENDING



NOTE : LOCK AFTER EXTENDING



F. DISMANTLING



NOTE : UNLOCK BEFORE DISMANTLING

