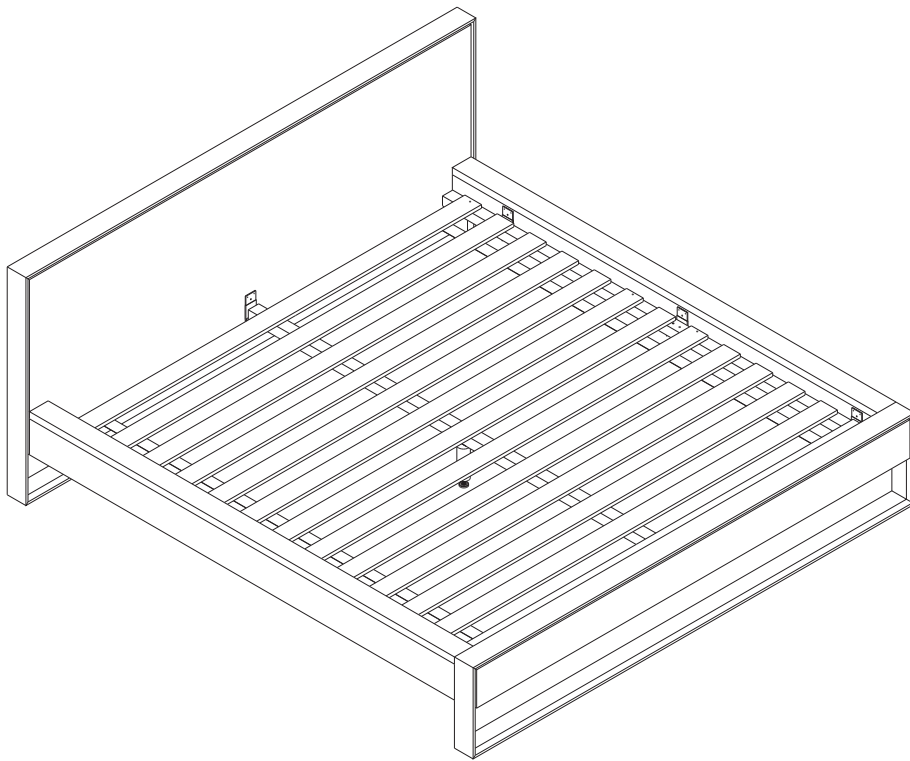


ASSEMBLY INSTRUCTIONS FOR BED INSTALLATION

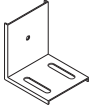

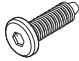

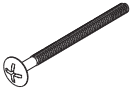




OAK NORDIC II BED - WITH SLATS

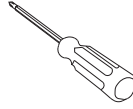
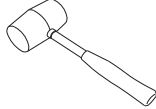
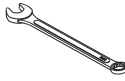
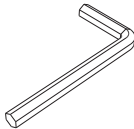
51217	OAK NORDIC II BED - US KING SIZE - WITH SLATS 193/203/95
51218	OAK NORDIC II BED - US QUEEN SIZE - WITH SLATS 153/203/95

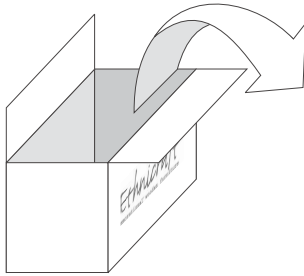
OAK NORDIC II BED - WITH SLATS ASSEMBLY INSTRUCTIONS FOR BED INSTALLATION

HARDWARE ENCLOSED

 (8X) L BRACKET	 (8X) JCBC SCREW Ø 6 x 6	 (4X) JCBC SCREW Ø 6 x 20	 (1X) COUNTERSUNK SCREW Ø 6 x 50 mm
 JF Screw M5x40 (20 pcs)	 Washer 12 pcs M6	 Nut 12 pcs M6	

TOOLS

 SCREWDRIVER (Not included in package)	 RUBBER HAMMER (Not included in package)
 WRENCH (Not included in package)	 L KEY (included in package)



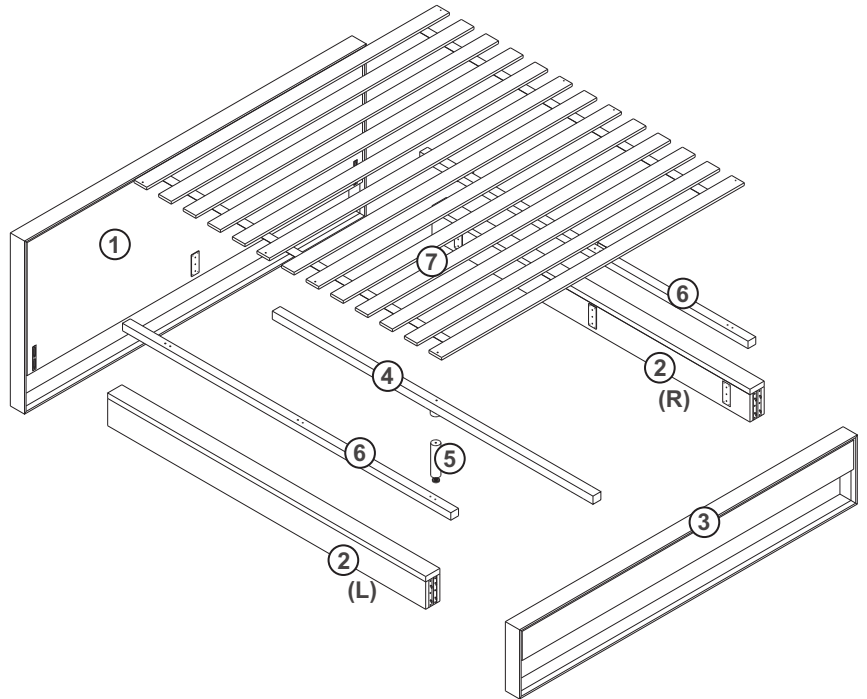
IN YOUR PACKAGE :

ASSEMBLY INSTRUCTIONS

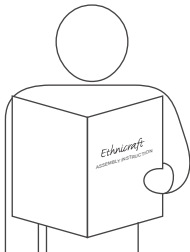
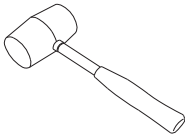


HARDWARE (AS LISTED ABOVE)

PARTS TO BE INSTALLED

- 1) HEADBOARD 1pc
- 2) SIDE SUPPORT 2pcs
- 3) FOOTBOARD 1pc
- 4) CENTER SUPPORT 1pc
- 5) CENTER LEG 1pc
- 6) SLATS SUPPORTS 2pcs
- 7) SLATS 1set



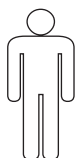
NOTICE

✓ 	✓ 	X 	 X3
--	--	---	--

SYMBOLS



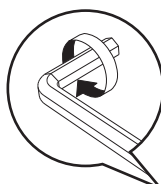
DIRECTION



NUMBER OF
PERSONS NEEDED



USE SCREWDRIVER
TO TIGHTEN



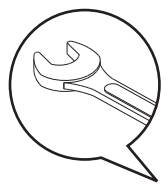
USE L KEY
TO TIGHTEN



USE RUBBER
HAMMER



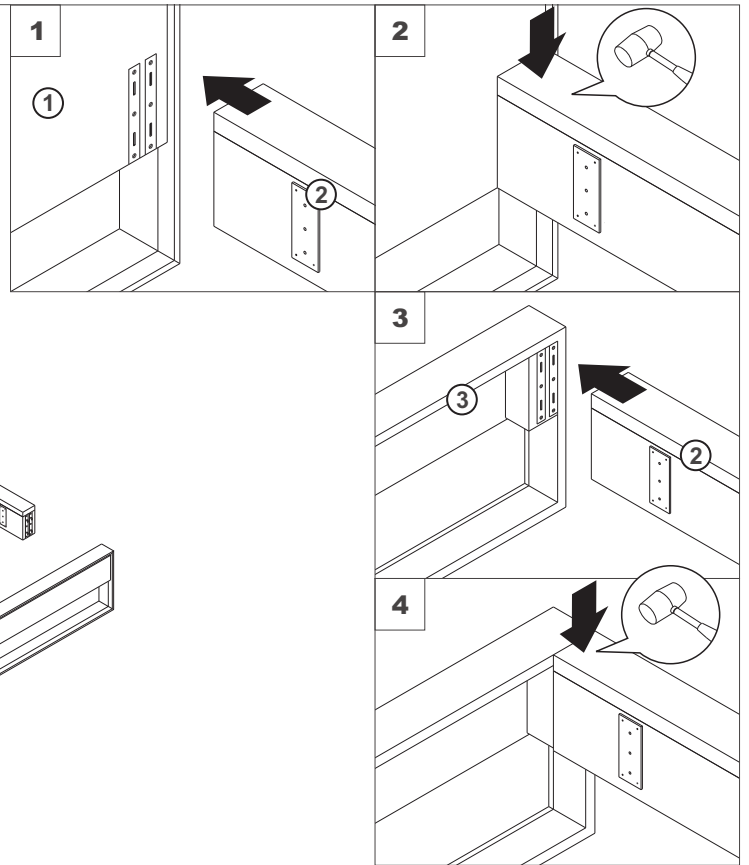
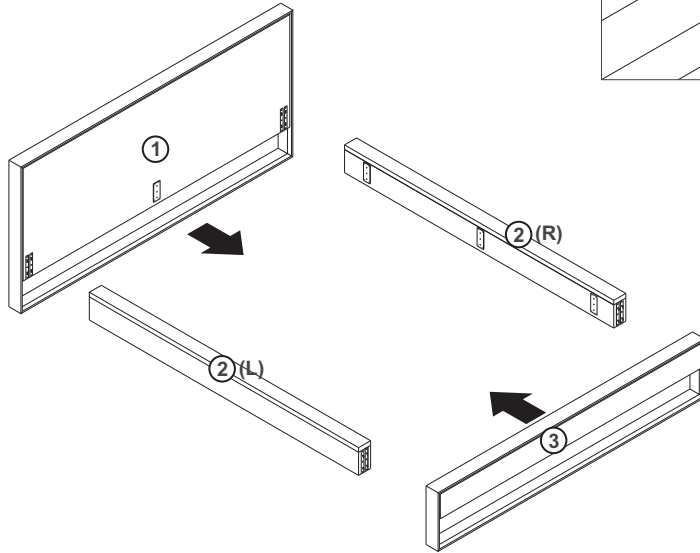
USE HAND



USE WRENCH
TO TIGHTEN

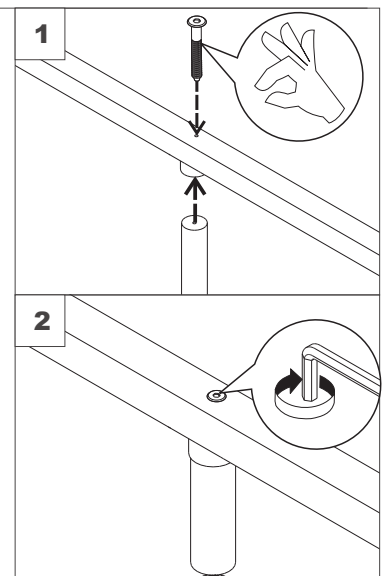
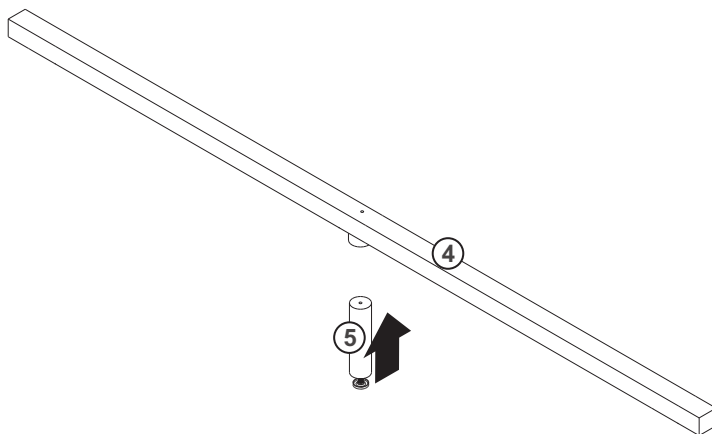
OAK NORDIC II BED - WITH SLATS ASSEMBLY INSTRUCTIONS FOR BED INSTALLATION

A. Connecting Side Rail and Head/Foot board



⚠ Two persons hold each of the side rail

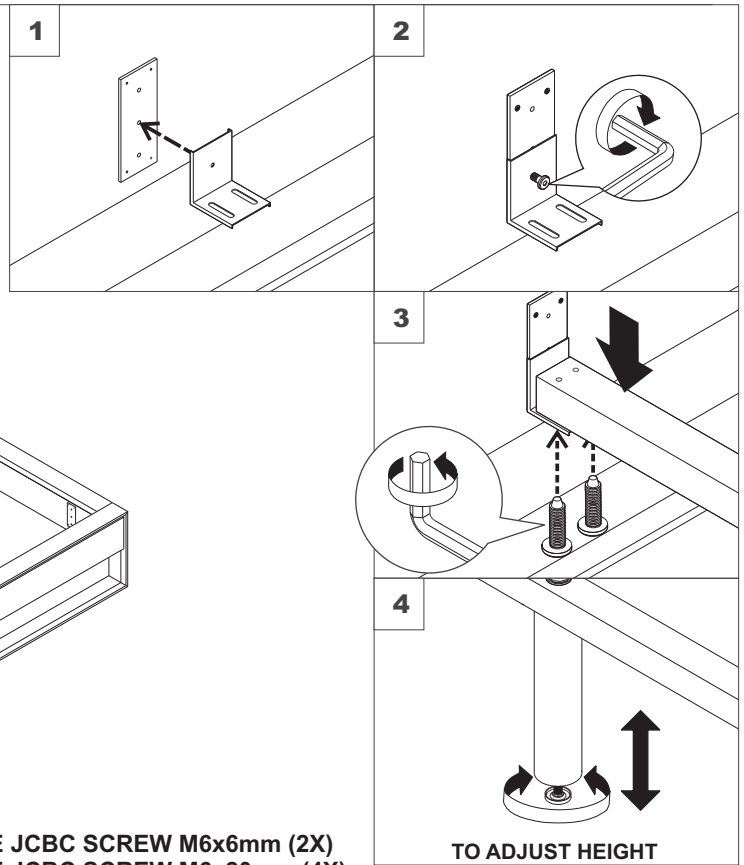
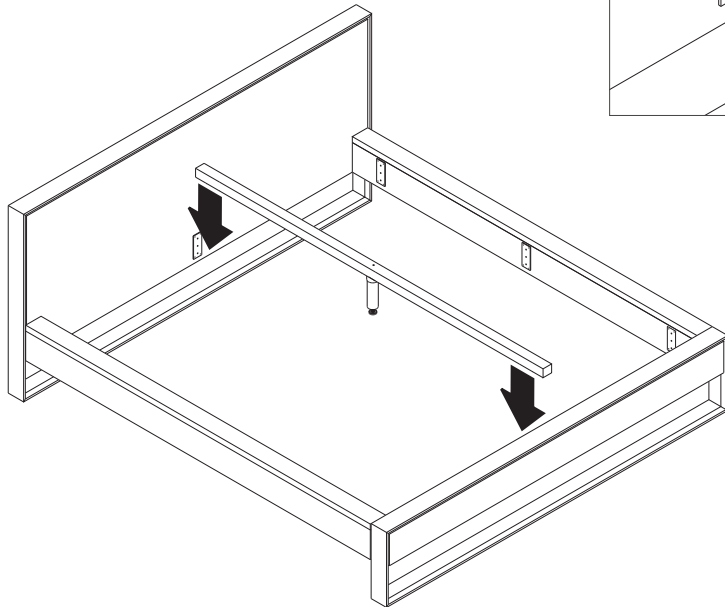
B. Installing Center Leg to Center Support



- USE COUNTERSUNK SCREW
M6x50mm (1X)
- TIGHTEN FULLY

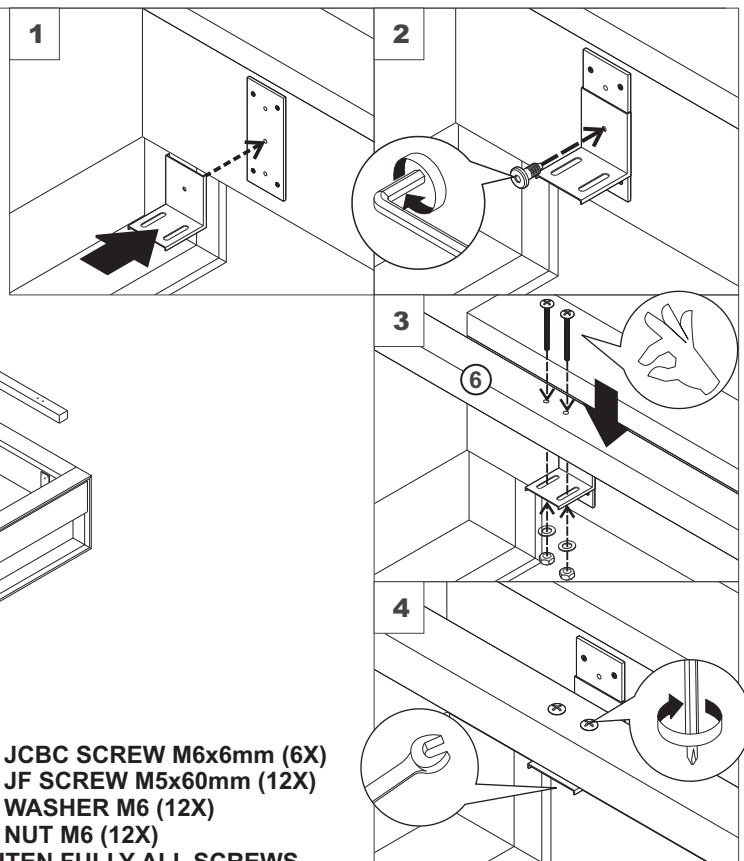
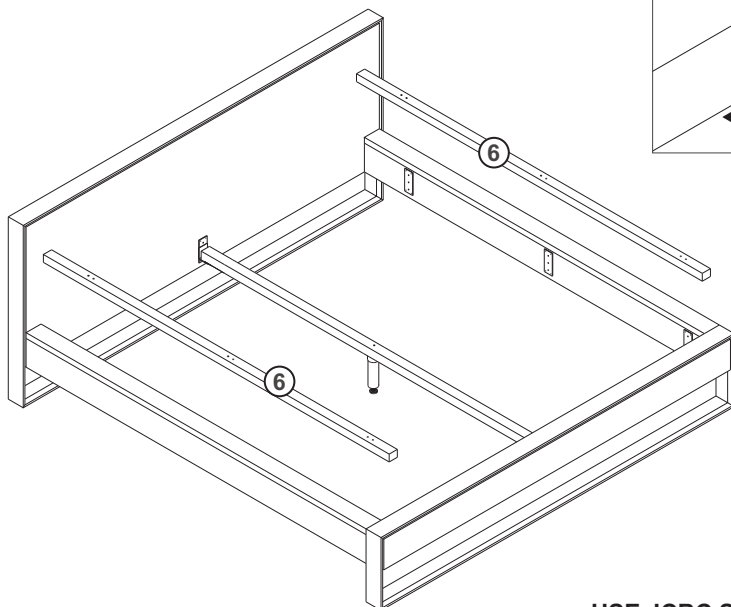
OAK NORDIC II BED - WITH SLATS ASSEMBLY INSTRUCTIONS FOR BED INSTALLATION

C. Installing Center Support



- USE JCBC SCREW M6x6mm (2X)
- USE JCBC SCREW M6x20mm (4X)
- TIGHTEN FULLY ALL SCREWS

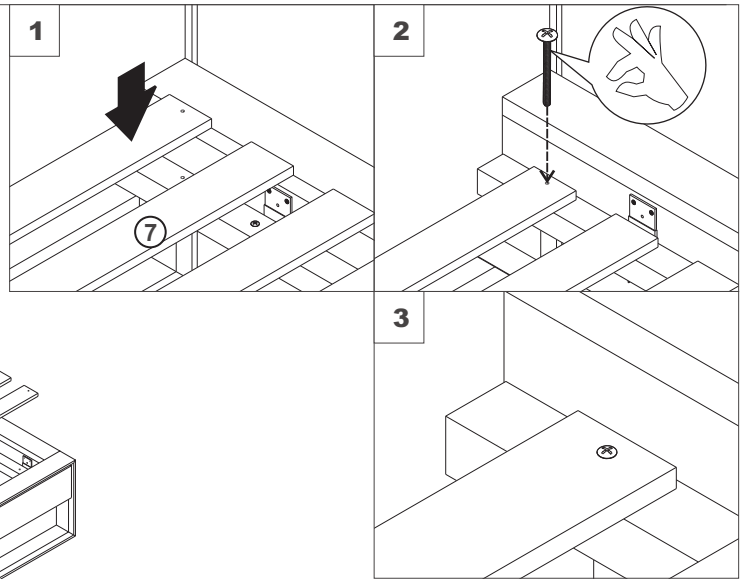
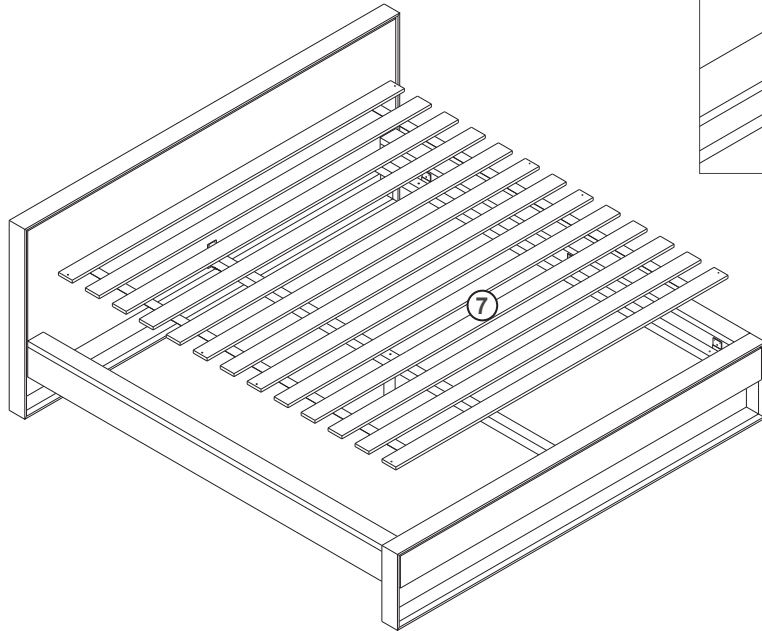
D. Installing Slat Supports



- USE JCBC SCREW M6x6mm (6X)
- USE JF SCREW M5x60mm (12X)
- USE WASHER M6 (12X)
- USE NUT M6 (12X)
- TIGHTEN FULLY ALL SCREWS

OAK NORDIC II BED - WITH SLATS ASSEMBLY INSTRUCTIONS FOR BED INSTALLATION

E. Installing Slats



 USE JF SCREW M5x40mm (8X)



SLATS TO BE ASSEMBLED ARE NUMBER 1, 6, 8, AND 13

F. Finish

