


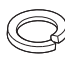
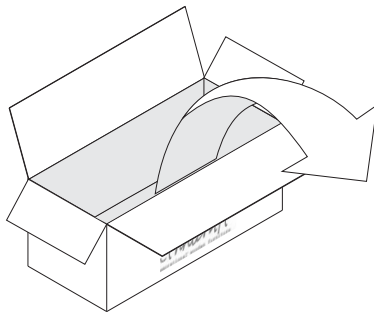
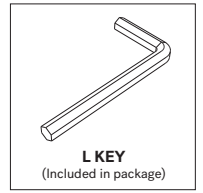


CIRCLE OUTDOOR DINING TABLE ASSEMBLY INSTRUCTIONS FOR DINING TABLE INSTALLATION

HARDWARE ENCLOSED

 (1X) JCBC SCREW Ø 6 x 10 cm	 (6X) JCBC SCREW Ø 6 x 7 cm	 (6X) WASHER M6	 (6X) SPRING WASHER M6
---	---	---	--

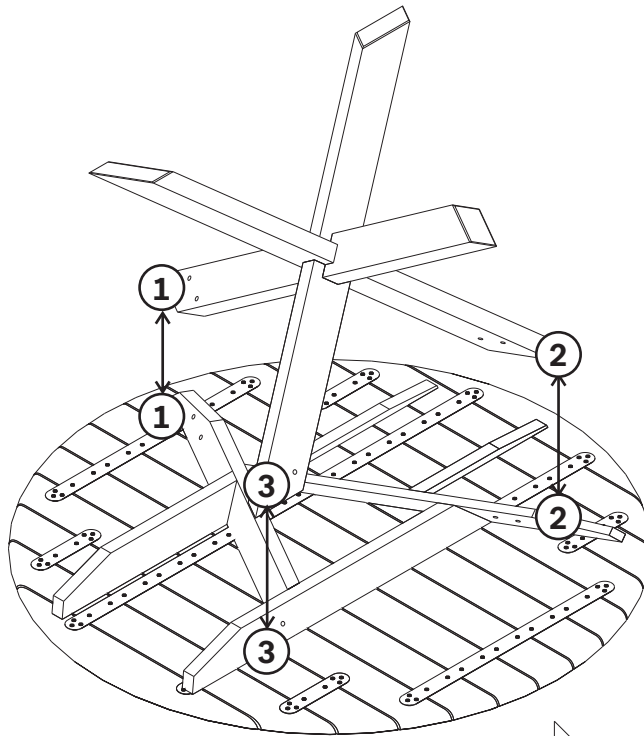
TOOL




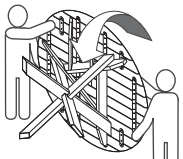
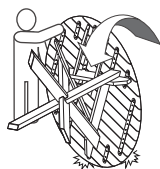
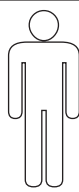
IN YOUR PACKAGE :
ASSEMBLY INSTRUCTION
HARDWARE (AS LISTED ABOVE)

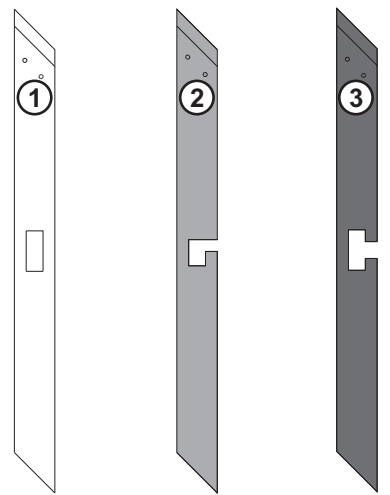
PARTS TO BE INSTALLED

1. TOP PANEL 1pc
2. LEG 1set



NOTICE

<input checked="" type="checkbox"/> 	<input checked="" type="checkbox"/> 
<input type="checkbox"/> 	<input type="checkbox"/>  X2

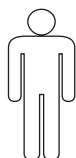


 ALWAYS REFER TO HOLE POSITION & STICKER

SYMBOLS



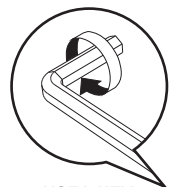
DIRECTION



NUMBER OF
PERSONS NEEDED



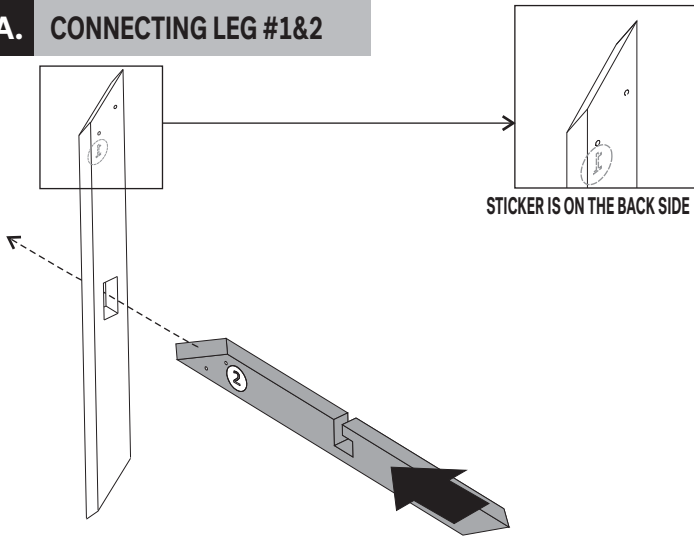
USE HAND



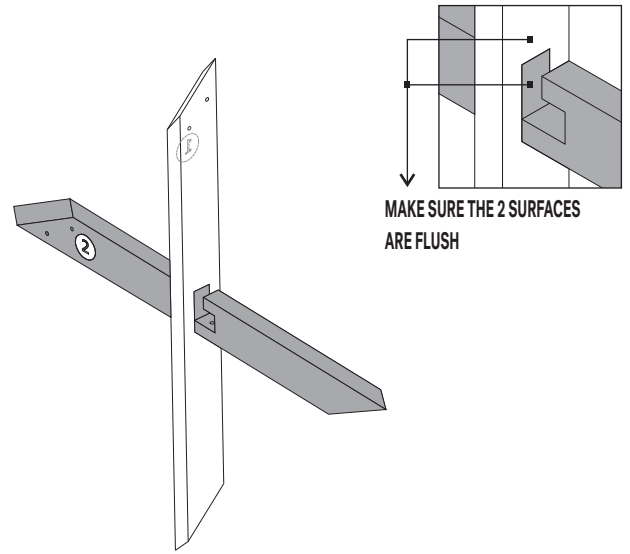
USE L KEY
TO TIGHTEN

CIRCLE OUTDOOR DINING TABLE ASSEMBLY INSTRUCTIONS FOR DINING TABLE INSTALLATION

A. CONNECTING LEG #1&2



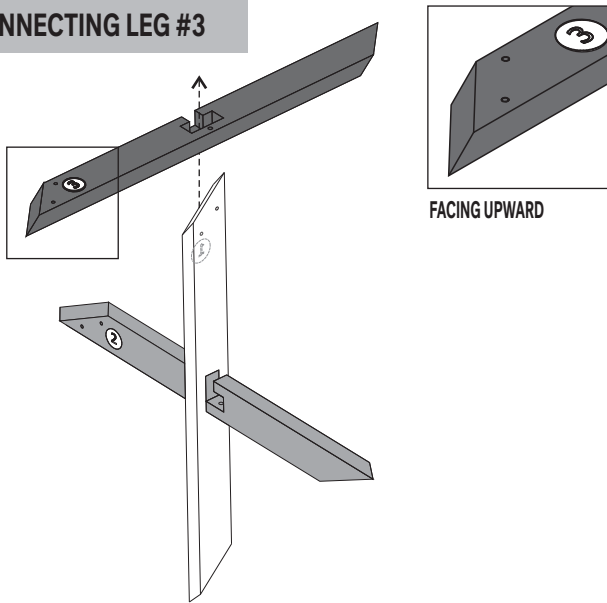
STICKER IS ON THE BACK SIDE



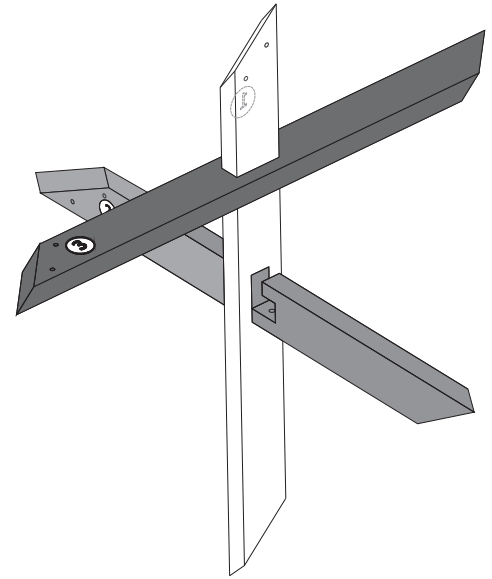
MAKE SURE THE 2 SURFACES
ARE FLUSH

 - ALWAYS REFER TO HOLE POSITION & STICKER

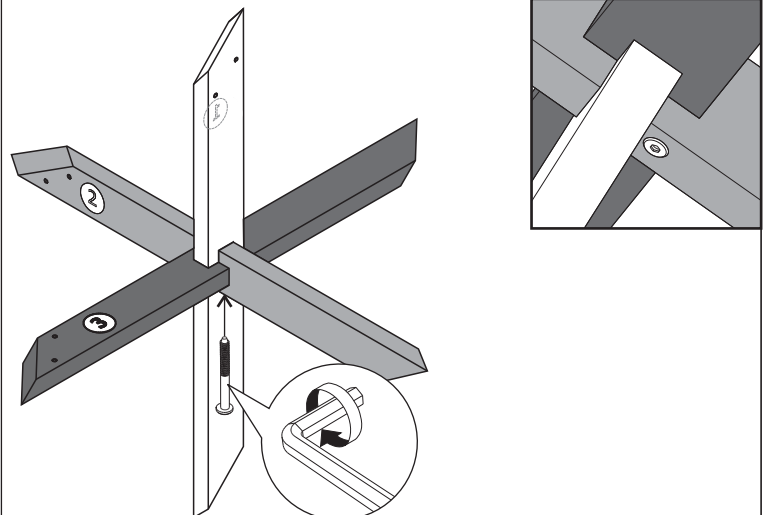
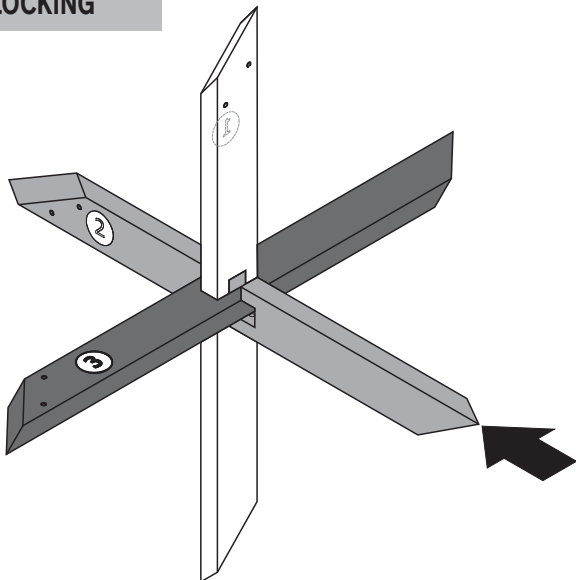
B. CONNECTING LEG #3



FACING UPWARD



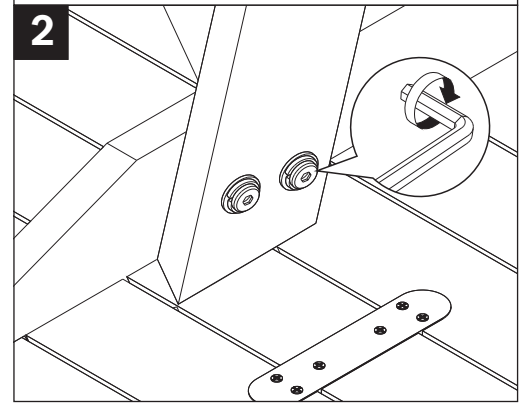
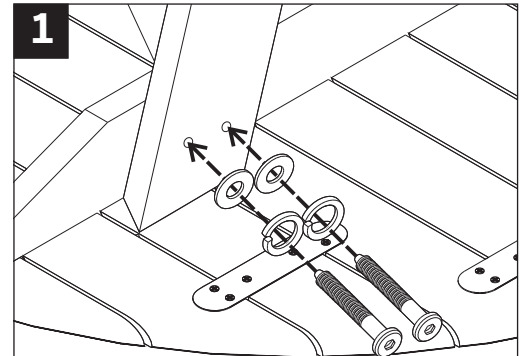
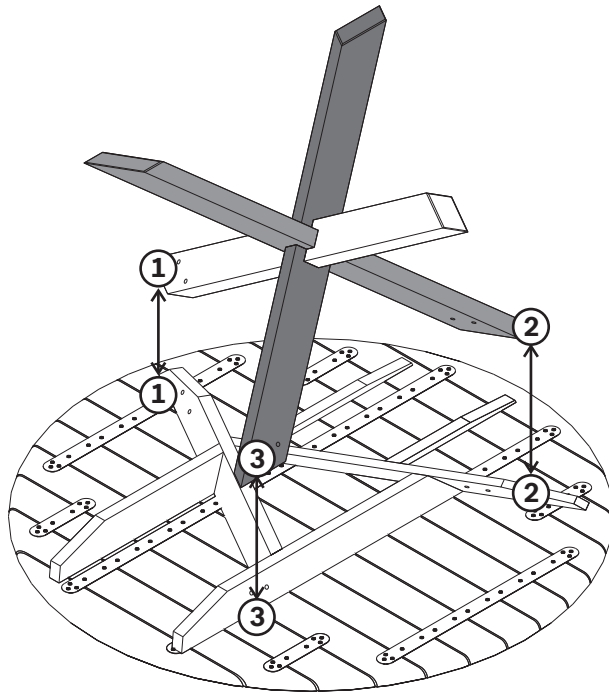
C. LOCKING



 - USE JCBC SCREW M6x10cm (1X)
- DO NOT FULLY TIGHTEN

CIRCLE OUTDOOR DINING TABLE
 ASSEMBLY INSTRUCTIONS FOR DINING TABLE INSTALLATION

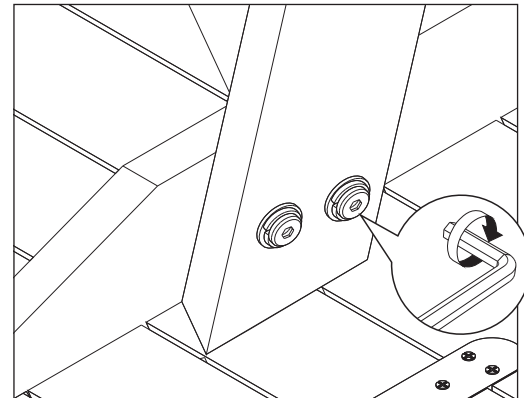
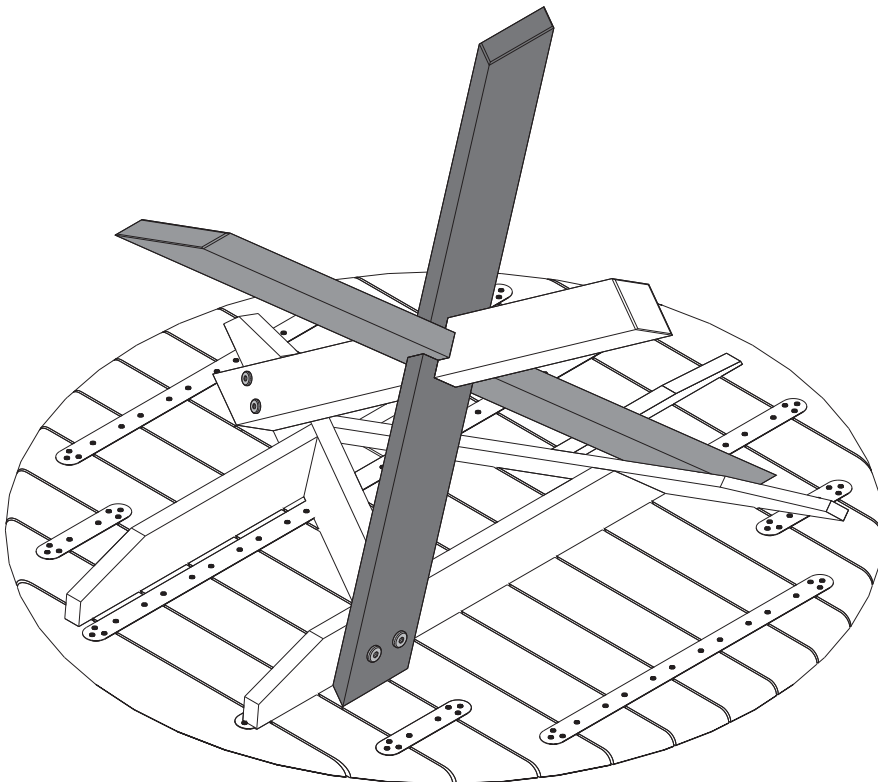
D. INSTALLING THE LEG TO TABLE TOP



- USE JCBC SCREW M6x7cm (6X)
- USE WASHER M6 (6X)
- USE SPRING WASHER M6 (6X)
- DO NOT FULLY TIGHTEN WHEN ASSEMBLY THE SCREW



E. FINISH



TIGHTEN WHEN ALL SCREWS ARE IN ITS POSITION