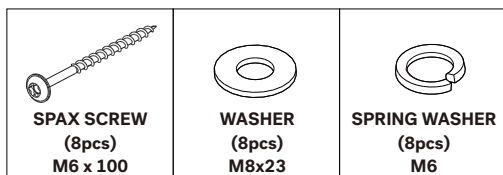


# Ethnicraft

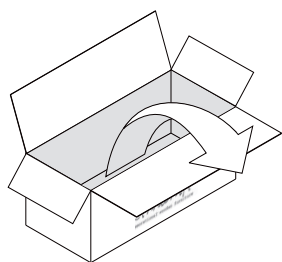
## TEAK BOK BENCH

### ASSEMBLY INSTRUCTIONS FOR BENCH INSTALLATION

#### HARDWARE ENCLOSED



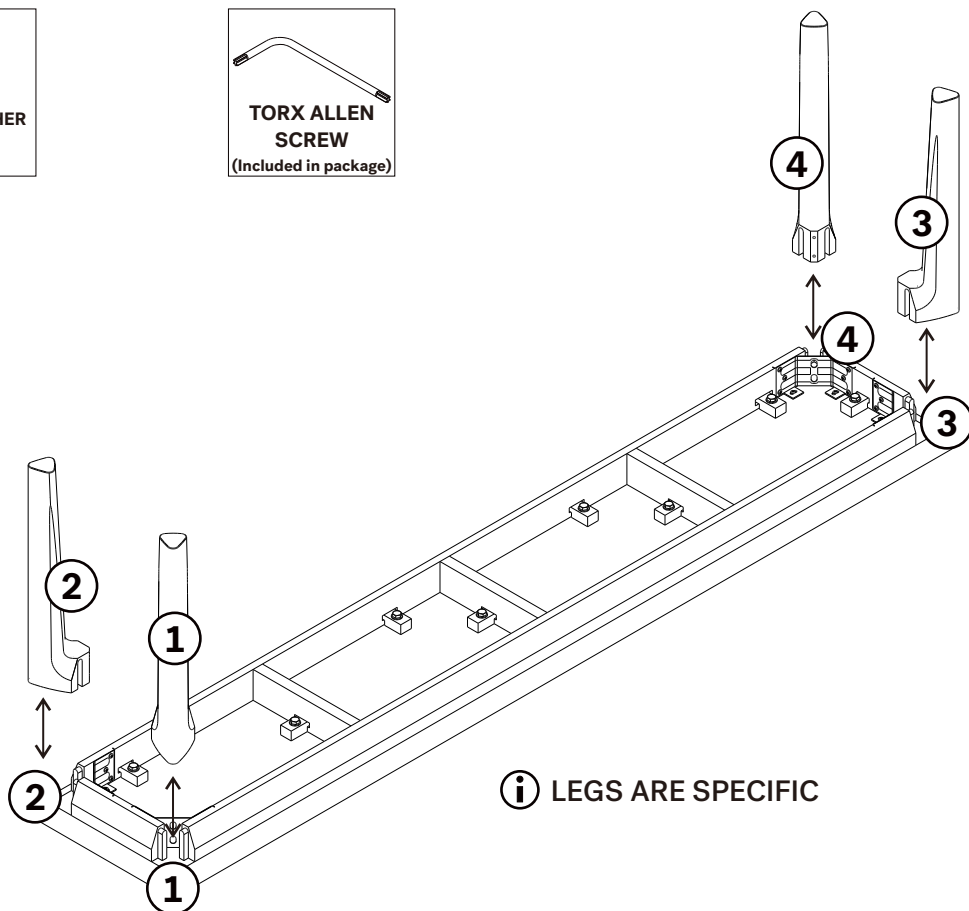
#### TOOL



**IN YOUR PACKAGE :**  
ASSEMBLY INSTRUCTIONS  
HARDWARE (AS LISTED ABOVE)

#### PARTS TO BE INSTALLED

1. TABLE TOP 1pc
2. LEGS 4pcs

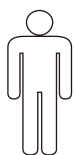


**i** LEGS ARE SPECIFIC

#### SYMBOLS



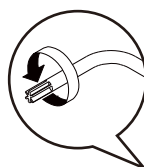
DIRECTION



NUMBER OF PERSONS NEEDED

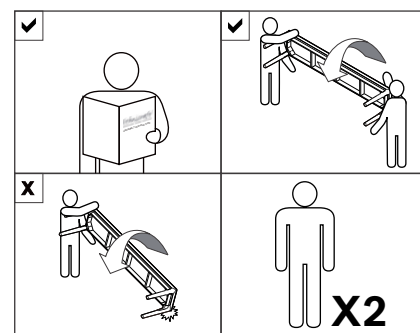


USE HAND

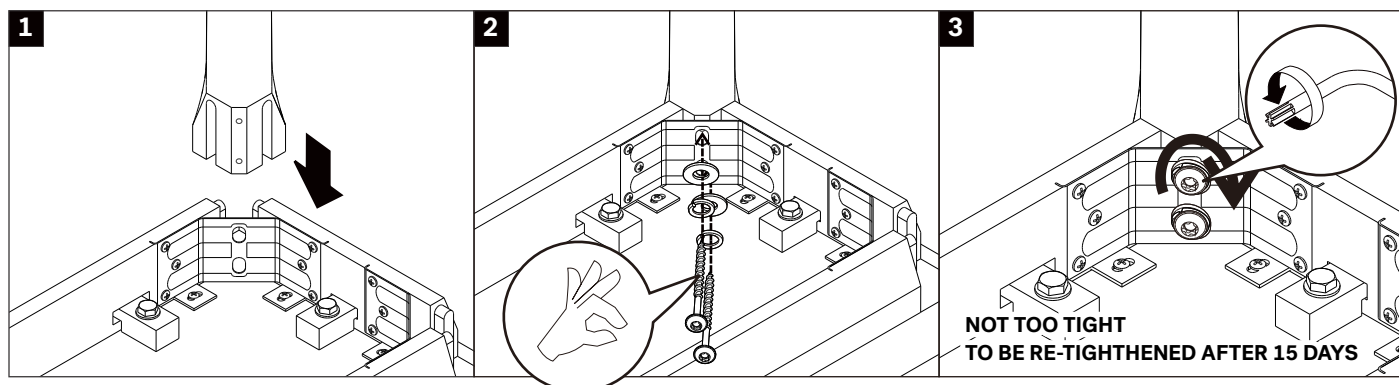


USE TORX ALLEN SCREW TO TIGHTEN

#### NOTICE



#### CONNECTING THE LEGS AND TABLE TOP



REPEAT STEP 1 TO STEP 3 FOR OTHER LEGS