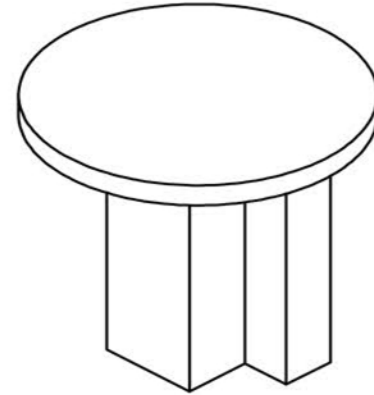


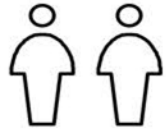
Ziki Side Table

ASSEMBLY INSTRUCTION:

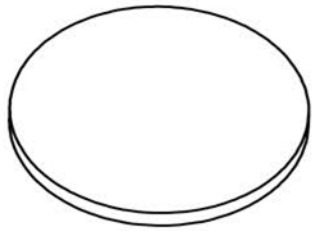
Thank you for purchasing the Side Table.
This page lists all the contents included in the box.
Please take time to identify the hardware as well as
the individual components of this product.
As you unpack and prepare for assembly,
place the contents on a carpeted or padded area
to protect them from damage.



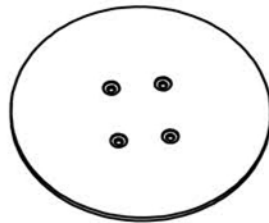
ASSEMBLY REQUIREMENTS:



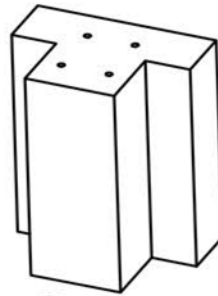
PARTS:



01 TABLE TOP = 1PC



02 CONNECTING PLATE = 1PC



03 BASE = 1PC

HARDWARE:



A) ALLAN WRENCH = 1PC



B) MACHINE SCREW = 4PCS
(M6 25mm)

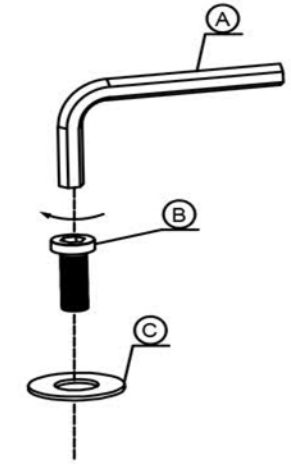
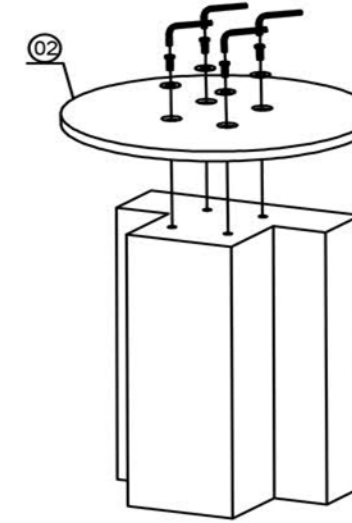


C) WASHER = 4PCS

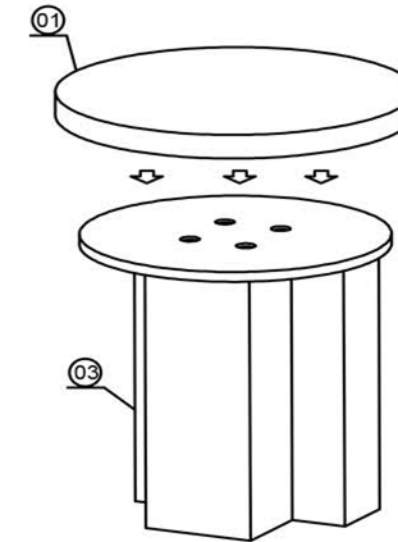


Ziki Side Table

1



2



3

