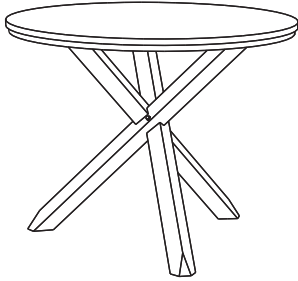


ASSEMBLING GUIDE

Round Dining Table



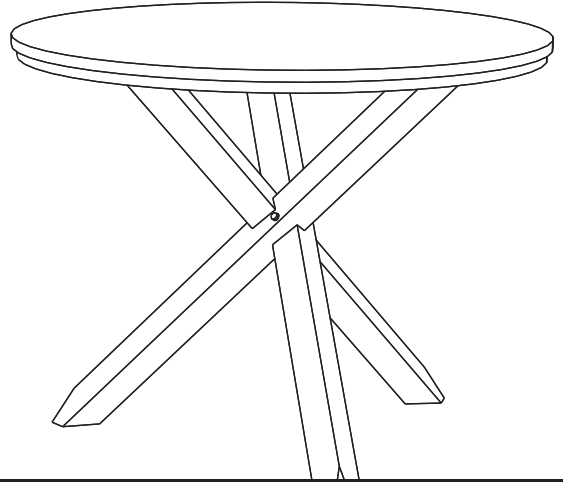
Material used

Wood : Natural
Iron : Black

ROUND DINING TABLE 130 & 150

XONO

assembling guide



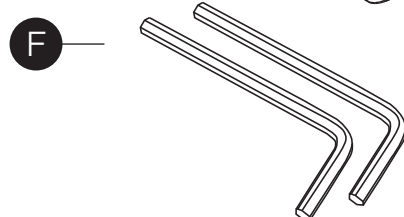
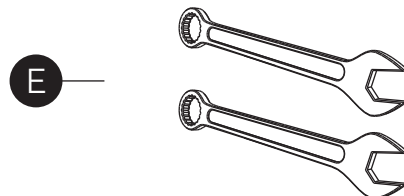
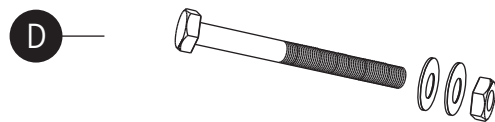
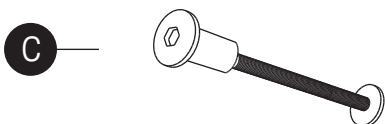
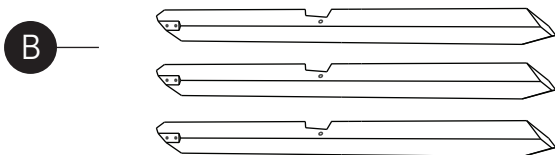
Bodhi®

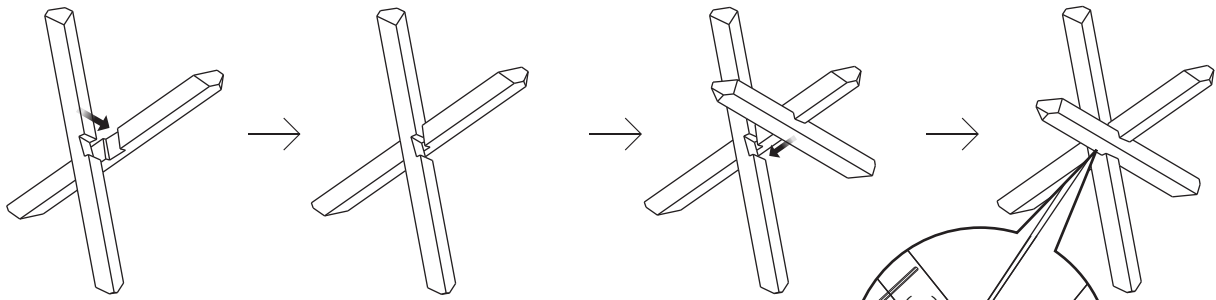
dbodhi.com

Box Content

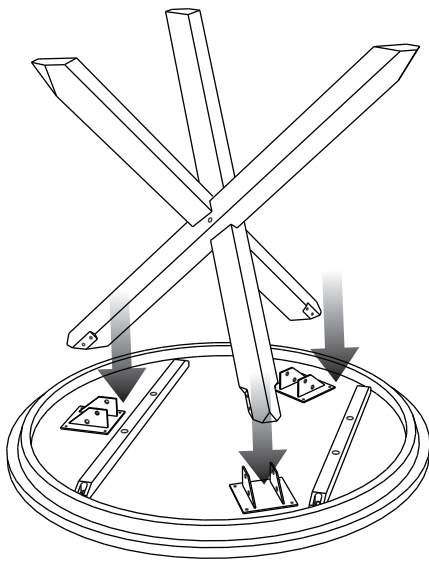
- a. Top table 1 pc
- b. Legs 3 pcs
- c. JCBC screw M6x100mm : 3 pcs
- d. Bolt, rings and nut M8x100 : 6 pcs
- e. Tool 2 pcs
- f. Allen key 2 pcs

PERSON NEEDED

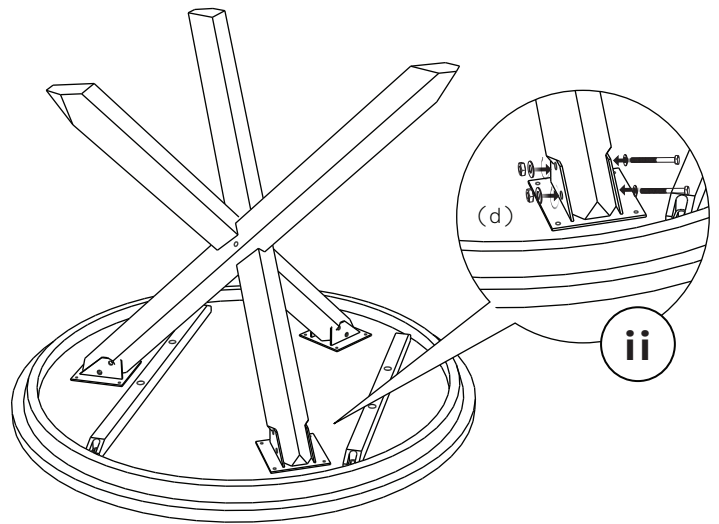




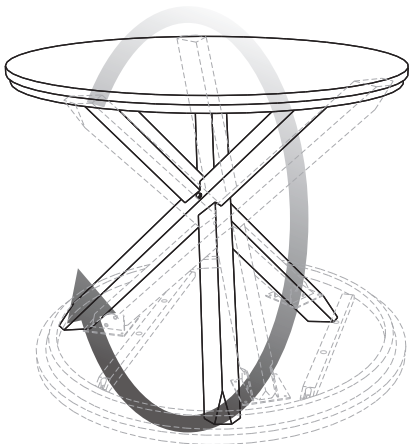
1. Instal the legs as in picture above and tighten with bolt and rings as in detail (i)



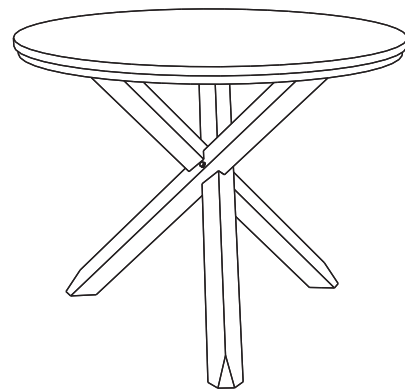
2. Instal the legs into the table top as picture above.



3. Tighten the legs as in picture above with bolt nut and ring as in detail (ii)



4. Rotate the table into its right position



5. Your Dining table is ready.