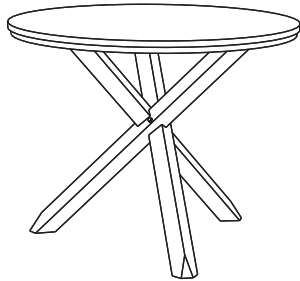


## ASSEMBLING GUIDE

Round Dining Table



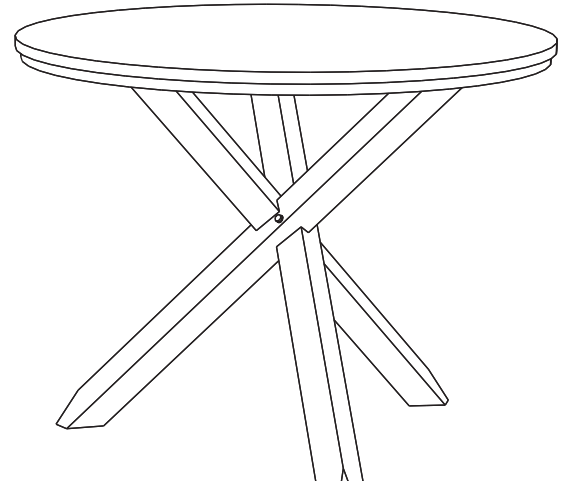
### Material used

Wood : Natural  
Iron : -

## ROUND DINING TABLE 100

XONO

assembling guide



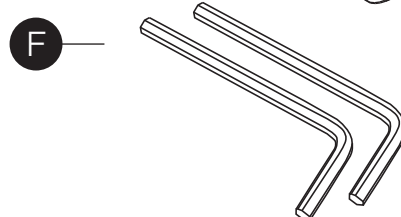
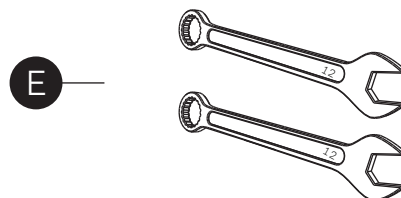
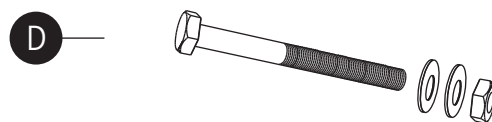
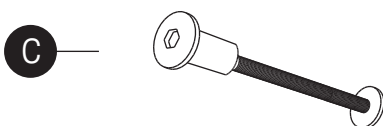
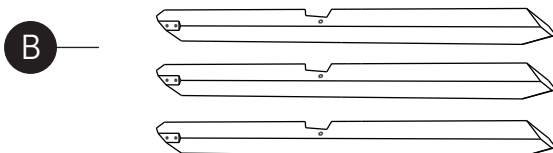
Bodhi®

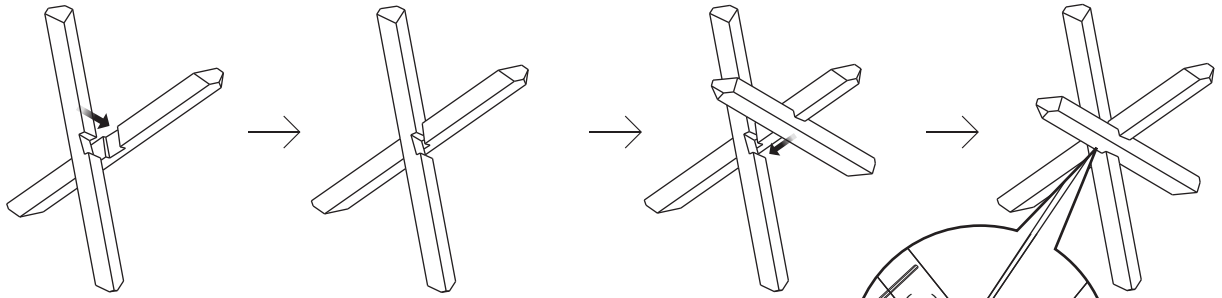
dbodhi.com

### Box Content

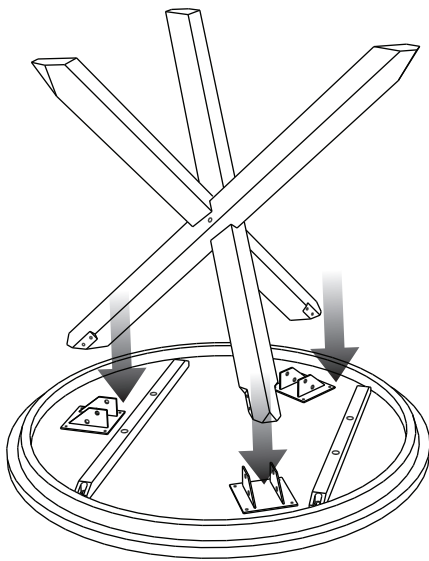
- a. Top table 1 pc
- b. Legs 3 pcs
- c. JCBC screw M6x90mm : 3 pcs
- d. Bolt, rings and nut M8x80 : 6 pcs
- e. Tool 2 pcs
- f. Allen key 2 pcs

PERSON NEEDED

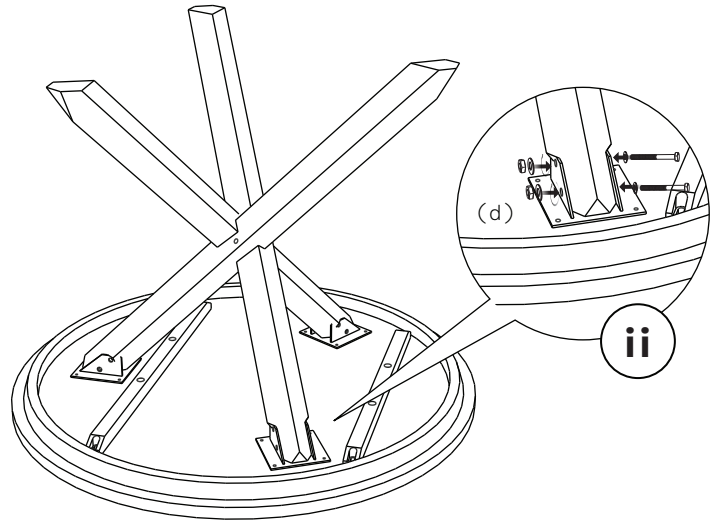




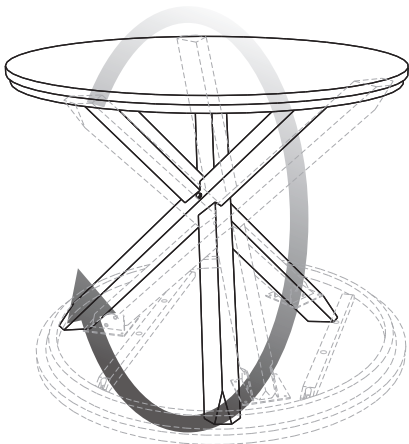
1. Instal the legs as in picture above and tighten with bolt and rings as in detail (i)



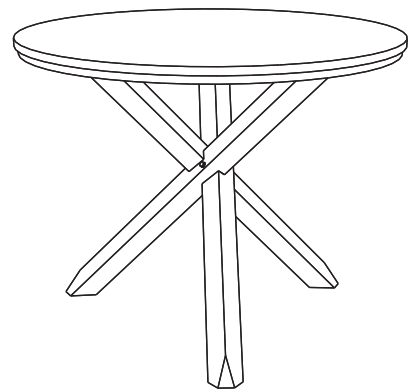
2. Instal the legs into the table top as picture above.



3. Tighten the legs as in picture above with bolt nut and ring as in detail (ii)



4. Rotate the table into its right position



5. Your Dining table is ready.