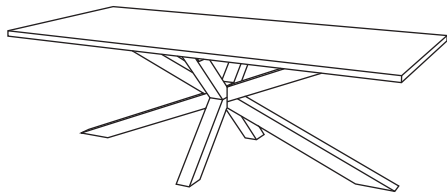


ASSEMBLING GUIDE

Dining Table

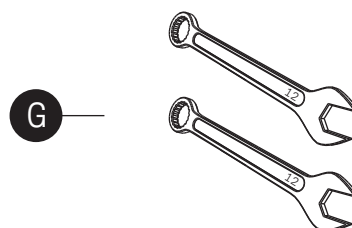
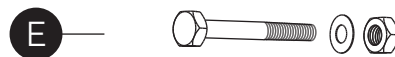
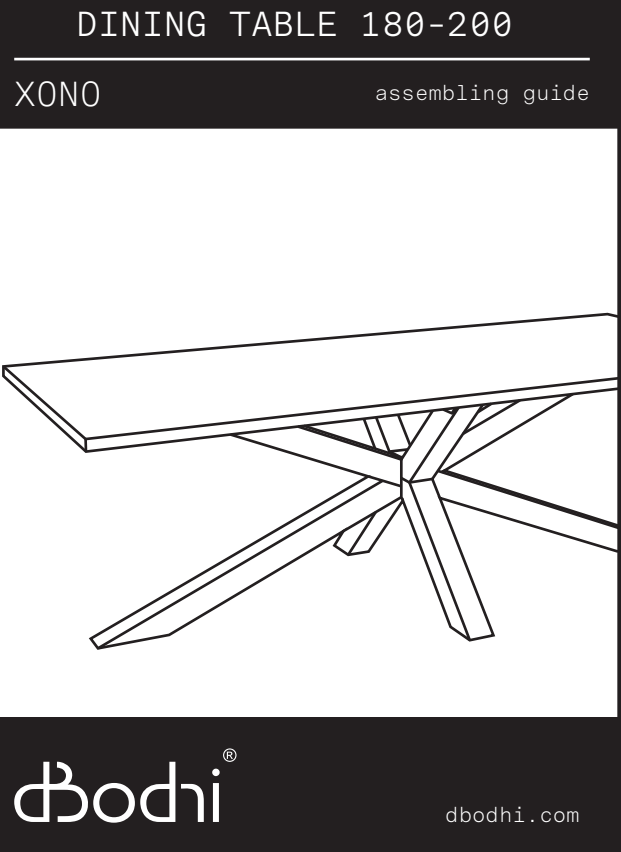
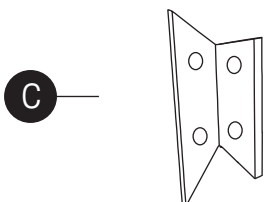
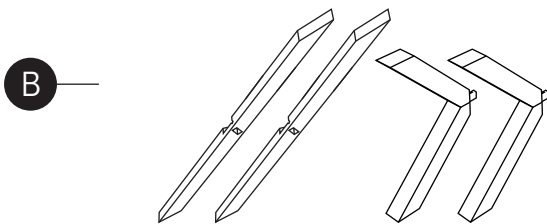


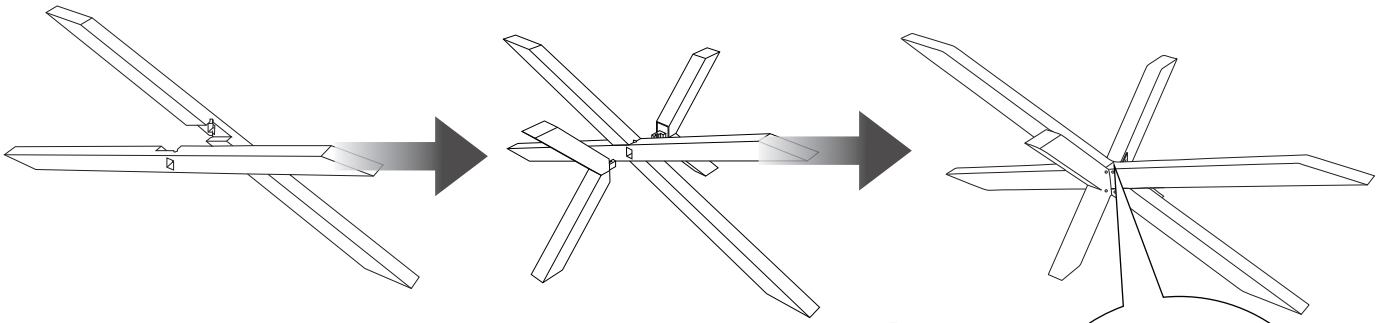
Material used

Wood : Rustic
Iron : Black

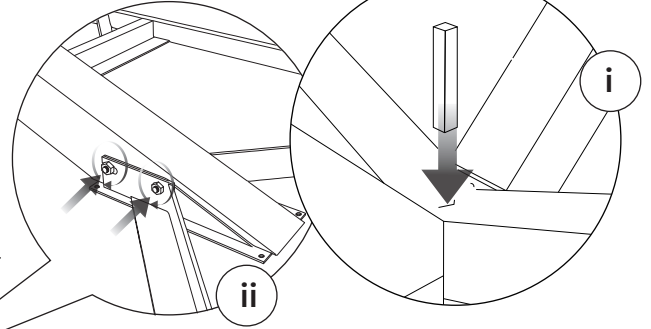
Box Content

- a. Top table 1 pc
- b. Legs 4 pcs
- c. Leg Connector 4 pcs
- d. Wooden pin 1 pc
- e. Bolts rings and nuts M8x100mm : 8 pcs
- f. Screw 16 pcs
- g. Tool 2 pc

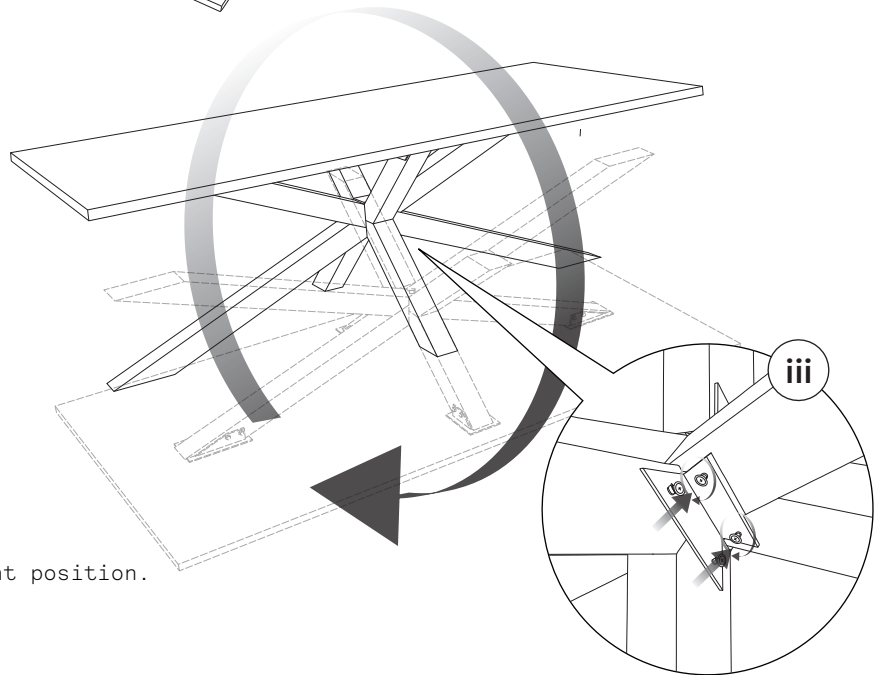
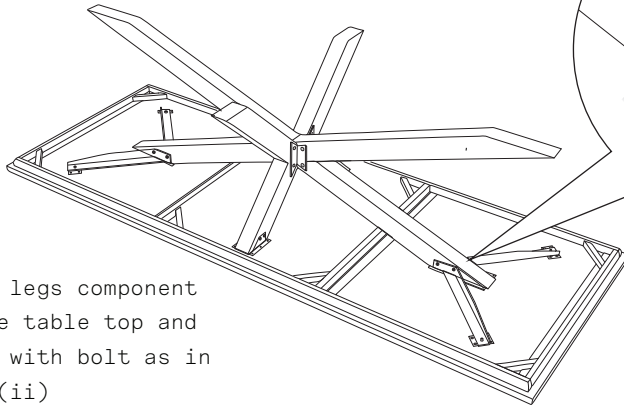




1. Place the table components as shown above and lock the leg as in detail (i)

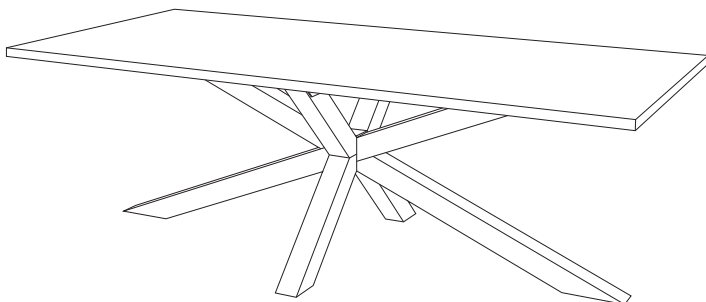


2. Put the legs component into the table top and tighten with bolt as in detail (ii)



3. Rotate the table into its right position.

4. After the table on its right position, instal the leg connector and tighten with screw as in detail (iii)



5. Your Dining table is ready.