

**Assembly
instructions**

Formal

Please note

Please read these instructions carefully and keep them for future reference. Refer to the parts inventory and ensure you have all the parts before starting. During assembly, place all parts on a flat, soft and clean surface, such as a carpet or blanket, to prevent scratches and damage. We recommend that a minimum of two people help each other to assemble.

Parts inventory

A Frames



B Bars



C Shelves



D Socket head screws

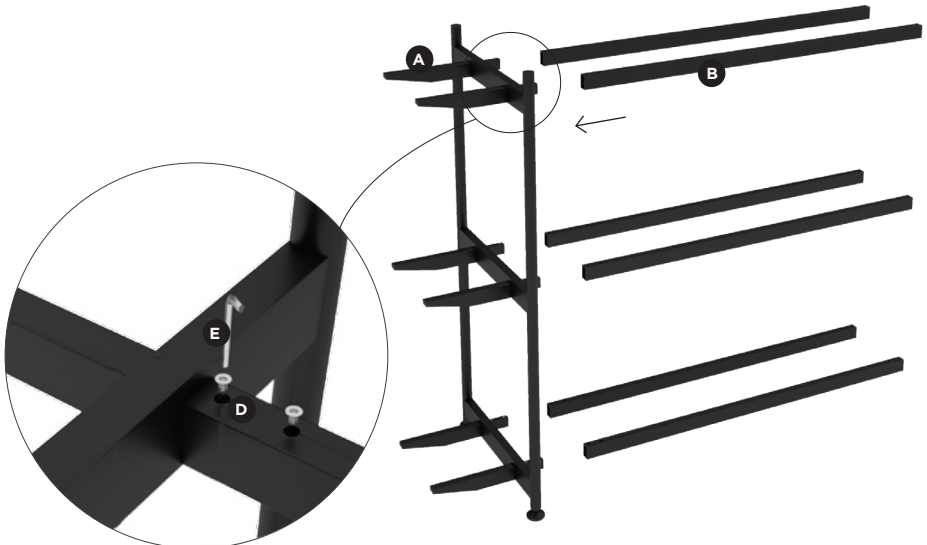


E Allen key

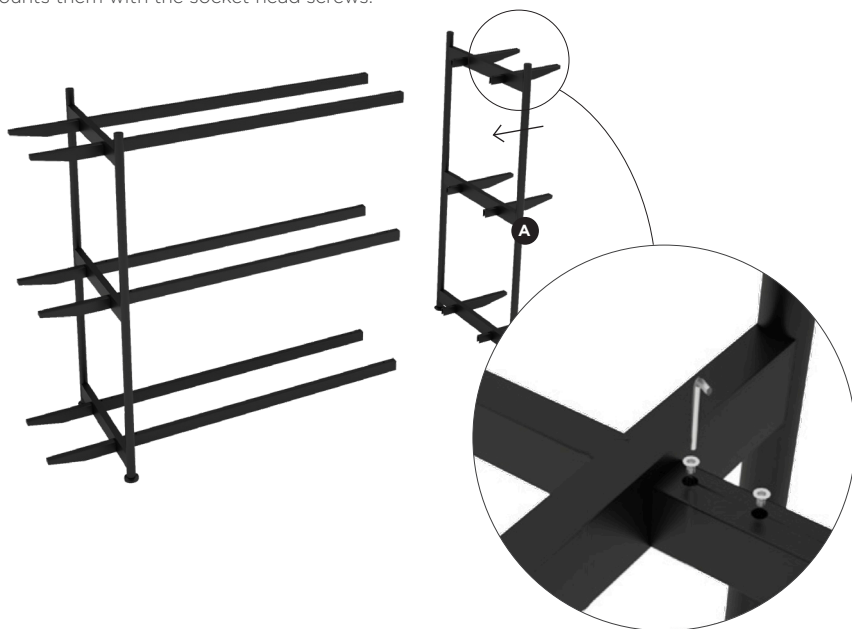


Assembly

While one holds one of the frames (A) upright, another person slides the bars (B) into place. Mount each bar one by one by inserting socket head screws (D) into the predrilled holes and tightening them with the Allen key (E).



While one holds the other frame upright, the other carefully slides the bars into place and mounts them with the socket head screws.



Tilt the shelves (C) and slide them into place.





WENDELBO

