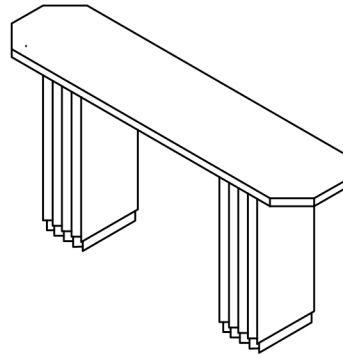


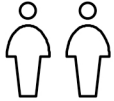
Tiramisu Console

ASSEMBLY INSTRUCTION:

Thank you for purchasing the Console Table.
 This page lists all the contents included in the box.
 Please take time to identify the hardware as well as
 the individual components of this product.
 As you unpack and prepare for assembly,
 place the contents on a carpeted or padded area
 to protect them from damage.

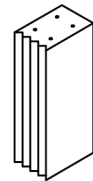
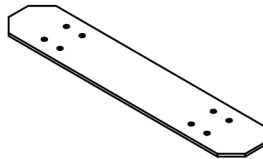
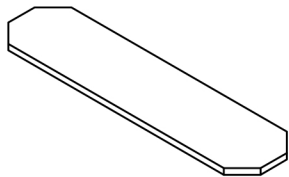


ASSEMBLY REQUIREMENTS:



Do Not Use Power Tools

PARTS:



01 TABLE TOP & CONNECTING PLATE =1PC 02 CONNECTING PLATE =1PC 03 BASE =2PCS 04 HARDWARE =2PCS

HARDWARE:



A ALLAN WRENCH =1PC

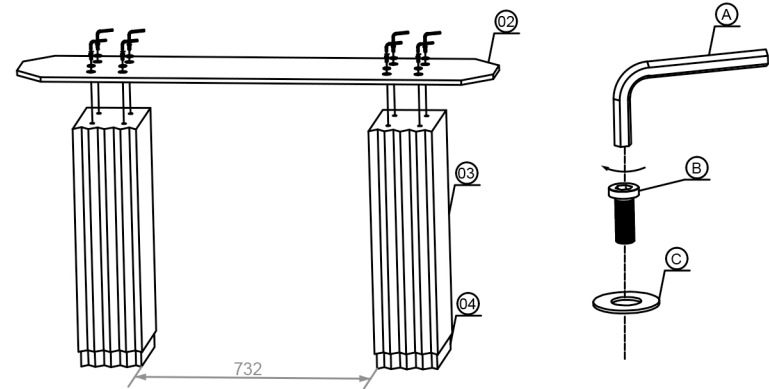
B MACHINE SCREW =8PCS
(M6 25mm)

C WASHER =8PCS

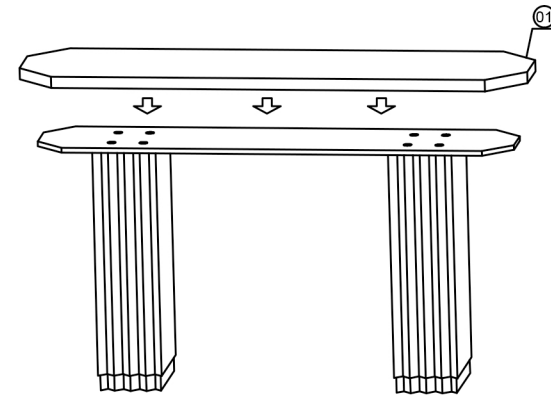


Tiramisu Console

1



2



3

