

Slab Side Table

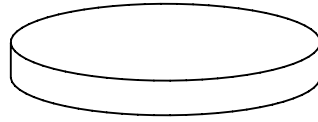
Assembly Instructions

Hardware

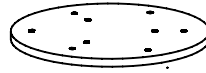
1	 M6 x 30	09 pcs
2	 M6 x Ø18	06 pcs
3	 M6 x Ø30	03 pcs
4		01 pc



x2 people required



A x 1pc

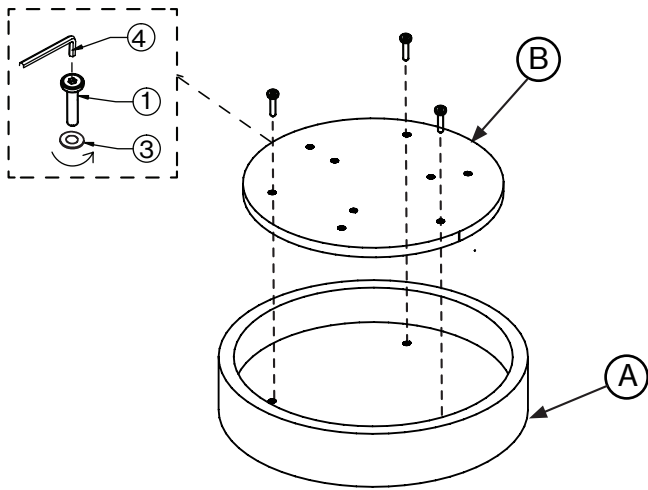


B x 1pc

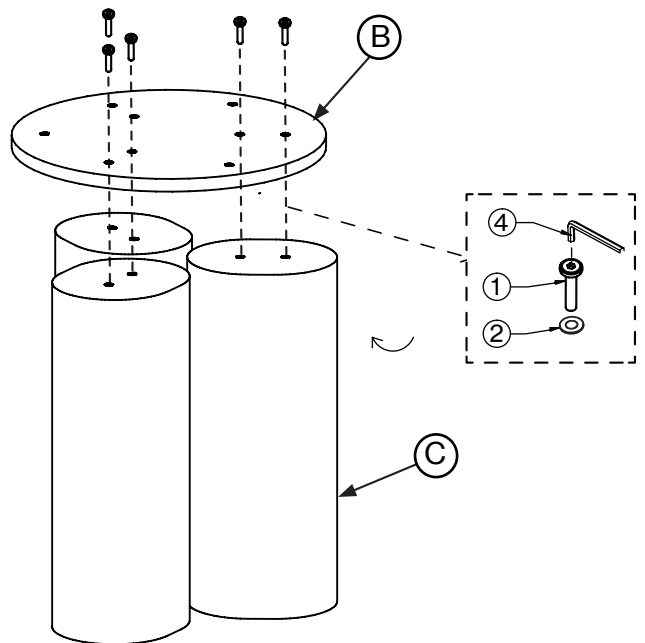


C x 3pcs

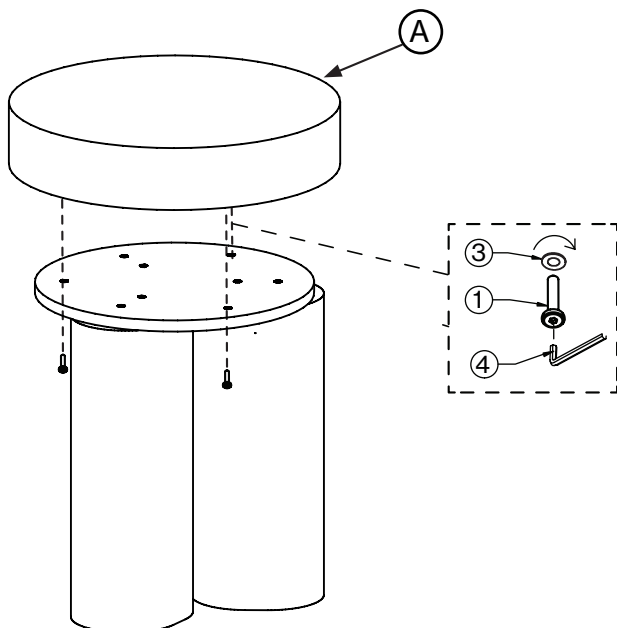
Step 1



Step 2



Step 3



Finish

