

# Audo

COPENHAGEN



THE PENGUIN DINING CHAIR  
Designed by *Ib Kofod-Larsen*



THE PENGUIN DINING CHAIR, VENEER  
Designed by *Ib Kofod-Larsen*

An iconic, mid-century design from the hand of Ib Kofod-Larsen, the Penguin Dining Chair continues to offer unparalleled sitting comfort and elegance thanks to its considered combination of ergonomic form, quality craftsmanship and premium materials.



PRODUCT OPTIONS

*Shell*

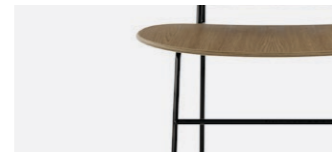


NATURAL OAK



WALNUT

*Steel base*



BLACK POWDER COATED STEEL

TECHNICAL SPECIFICATIONS

PRODUCT TYPE  
Dining chair

COLLI  
1

ENVIRONMENT  
Indoor

DIMENSIONS  
H: 82 cm / 32,28"  
SH: 47 cm / 18,5"  
AH: 64,4 cm / 23,35"  
W: 56 cm / 22,05"  
D: 57 cm / 22,4"

PRODUCTION PROCESS  
The cut steel frame is welded by robotic welding, and then powder coated to obtain a robust surface. The seat and back is made from bended plywood, which is then oiled for a soft and protective finish.

COLOUR

*Seat ana backrest*  
Natural oak  
Walnut

*Base*  
Black (RAL 9005)

GLOSS  
Gloss 10-20

MATERIALS  
Powder coated steel, curved plywood and oak or walnut veneer.

WEIGHT  
13,5 kg / 29,7 lb

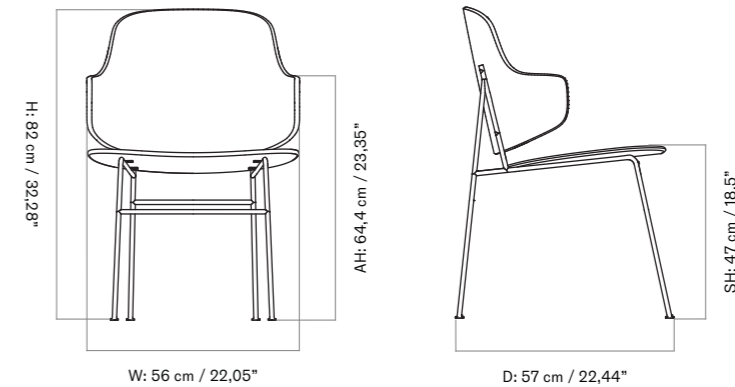
TEST  
N / A

CERTIFICATIONS  
EN16139:2013, L2  
Crafted from FSC certified plywood

PACKAGING TYPE  
Brown box

PACKAGING MEASUREMENTS  
(H x W x D)  
90 cm x 66 cm x 72 cm /  
35,4" x 25,9" x 28,3"

MATERIALS & MAINTENANCE  
Please visit [audocph.com](http://audocph.com) for materials, care and maintenance instructions.





THE PENGUIN DINING CHAIR, UPHOLSTERED SEAT  
Designed by *Ib Kofod-Larsen*

An iconic, mid-century design from the hand of Ib Kofod-Larsen, the Penguin Dining Chair continues to offer unparalleled sitting comfort and elegance thanks to its considered combination of ergonomic form, quality craftsmanship and premium materials.



PRODUCT OPTIONS

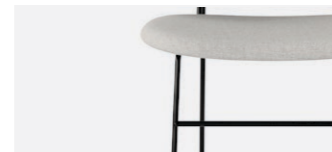
*Shell*



NATURAL OAK

WALNUT

*Steel base*



BLACK POWDER COATED STEEL

*Spec options*

Available in fabrics from our upholstery programme. Standard lead times apply.

For custom upholstery, please refer to the guiding textile/leather consumption:  
COM: 0,65 m / 0,715 yds  
COL: 0,5 m2 / 5,385 sqft

Prices excl. custom upholstery are equal to Price Category 1 Textile or Leather. Contact Sales support for approval of custom upholstery and to place your order.

The above textile consumption is only valid for textile rolls with a width equal to or greater than 140 cm. For smaller textile rolls, please contact Sales Support for guidance. For textile with pattern, please expect a higher usage for correct pattern fitting. Please contact Sales Support for guidance.

TECHNICAL SPECIFICATIONS

PRODUCT TYPE  
Dining chair

COLLI  
1

ENVIRONMENT  
Indoor

DIMENSIONS  
H: 82 cm / 32,28"  
SH: 47 cm / 18,5"  
AH: 64,4 cm / 23,35"  
W: 56 cm / 22,05"  
D: 57 cm / 22,4"

PRODUCTION PROCESS  
The cut steel frame is welded by robotic welding, and then powder coated to obtain a robust surface. The back is made from bended plywood, which is then oiled for a soft and protective finish. The upholstered seat is produced by gluing foam onto the bended plywood shell upon which the textile or leather is mounted.

COLOUR

*Backrest*  
Natural oak  
Walnut

*Seat*  
Dependent upon selected upholstery

*Base*  
Black (RAL 9005)

GLOSS  
Gloss 10-20

MATERIALS  
Powder coated steel, curved plywood, oak or walnut veneer, foam and upholstery.

WEIGHT  
13,5 kg / 29,7 lb

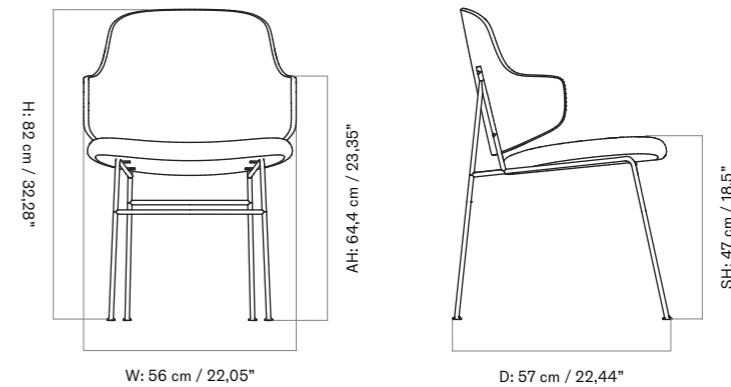
TEST  
N / A

CERTIFICATIONS  
EN16139:2013, L2  
Crafted from FSC certified plywood

PACKAGING TYPE  
Brown box

PACKAGING MEASUREMENTS  
(H x W x D)  
90 cm x 66 cm x 72 cm /  
35,4" x 25,9" x 28,3"

MATERIALS & MAINTENANCE  
Please visit [audocph.com](http://audocph.com) for materials, care and maintenance instructions.





THE PENGUIN DINING CHAIR, FULLY UPHOLSTERED  
Designed by *Ib Kofod-Larsen*

An iconic, mid-century design from the hand of Ib Kofod-Larsen, the Penguin Dining Chair continues to offer unparalleled sitting comfort and elegance thanks to its considered combination of ergonomic form, quality craftsmanship and premium materials.



PRODUCT OPTIONS

*Seat and backrest*



UPHOLSTERED

*Steel base*



BLACK POWDER COATED STEEL

*Spec options*

Available in fabrics from our upholstery programme. Standard lead times apply.

For custom upholstery, please refer to the guiding textile/leather consumption:  
COM: 0,65 m / 0,715 yds  
COL: 0,5 m2 / 5,385 sqft

Prices excl. custom upholstery are equal to Price Category 1 Textile or Leather. Contact Sales support for approval of custom upholstery and to place your order.

The above textile consumption is only valid for textile rolls with a width equal to or greater than 140 cm. For smaller textile rolls, please contact Sales Support for guidance. For textile with pattern, please expect a higher usage for correct pattern fitting. Please contact Sales Support for guidance.

TECHNICAL SPECIFICATIONS

PRODUCT TYPE  
Dining chair

COLLI  
1

ENVIRONMENT  
Indoor

DIMENSIONS  
H: 84 cm / 33"  
SH: 47 cm / 18,5"  
AH: 67 cm / 26,5"  
W: 57 cm / 22,4"  
D: 57 cm / 22,4"

PRODUCTION PROCESS  
The cut steel frame is welded by robotic welding, and then powder coated to obtain a robust surface. The upholstered seat and backrest is produced by gluing foam onto the bended plywood shell upon which the textile or leather is mounted.

COLOUR  
*Seat and backrest*  
Dependent upon selected upholstery

*Base*  
Black (RAL 9005)

GLOSS  
Gloss 10-20

MATERIALS  
Powder coated steel, curved plywood, foam and upholstery.

WEIGHT  
13,5 kg / 29,7 lb

TEST  
N / A

CERTIFICATIONS  
EN16139:2013, L2  
Crafted from FSC certified plywood

PACKAGING TYPE  
Brown box

PACKAGING MEASUREMENTS  
(H x W x D)  
94 cm x 67 cm x 73 cm /  
37" x 26,4" x 28,7"

MATERIALS & MAINTENANCE  
Please visit [audocph.com](http://audocph.com) for materials, care and maintenance instructions.

