



PRODUCT SHEET

**Snaregade Dining Table, Ø138**  
*by Norm Architects*

# Snaregade Dining Table, Ø138

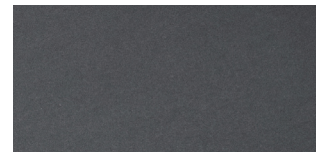
BY NORM ARCHITECTS

Round dining table with a tabletop in linoleum, painted oak veneer or dark stained oak set on a powder coated steel base.

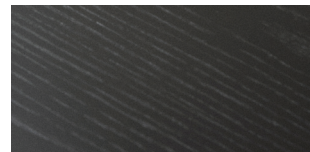


## PRODUCT OPTIONS

### TABLETOP



CHARCOAL LINOLEUM



BLACK OAK



DARK STAINED OAK

### POWDER COATED STEEL BASE



BLACK STEEL

# Snaregade Dining Table, Ø138

BY NORM ARCHITECTS

## TECHNICAL SPECIFICATIONS

### PRODUCT TYPE

Dining table

### COLLI

1

### ENVIRONMENT

Indoor

### DIMENSIONS

H: 73 cm / 28,7"  
Ø: 138 cm / 54,3"

### PRODUCTION PROCESS

The tabletop is crafted from FSC certified oak veneer or Forbo linoleum glued on MDF, CNC machine-cut. The frame is welded together from steel tubes and the surface is finished with powder coating.

### COLOUR

**Linoleum tabletop**  
Charcoal (Forbo) S 8502-B

**Wooden tabletop**  
Black oak veneer (RAL 9005)  
Dark stained oak

### Base

Black (RAL 9005)

### MATERIALS

Linoleum, painted or dark stained oak veneer, MDF and powder coated steel

### GLOSS

Gloss 10-20

### WEIGHT

Tabletop: 36 kg / 79,4 lb  
Base: 5,9 kg / 13 lb

### TEST

N / A

### CERTIFICATIONS

TSCA title VI compliant  
Crafted from FSC certified oak veneer

### PACKAGING TYPE

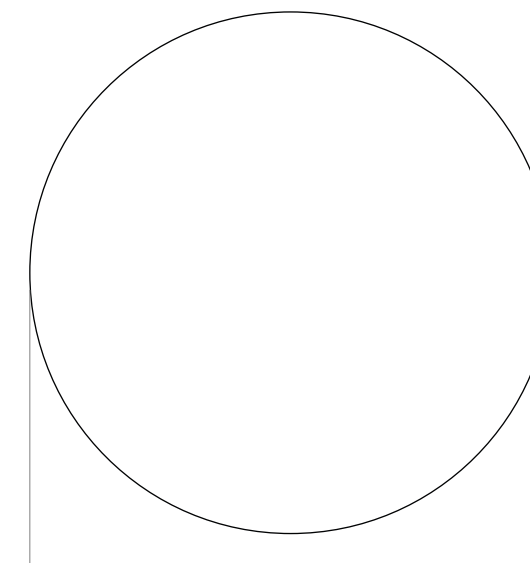
Brown box

### PACKAGING MEASUREMENTS (H x W x D)

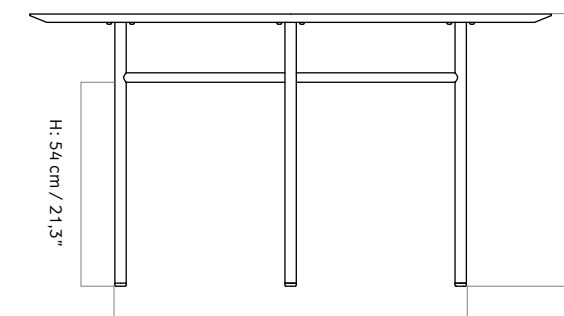
4,8 cm x 142 cm x 142 cm / 1,9" x 55,9" x 55,9"

### MATERIALS & MAINTENANCE

Please visit [menuspace.com](https://www.menuspace.com) for materials and care and maintenance instructions.



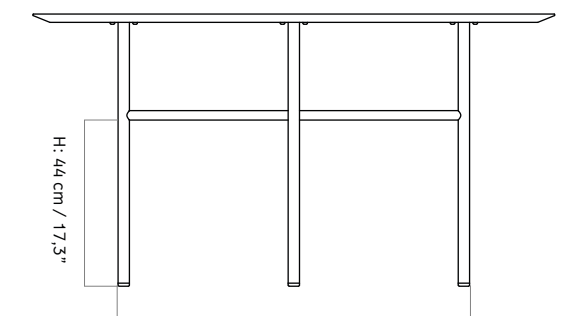
Ø: 138 cm / 54,3"



H: 54 cm / 21,3"

H: 73 cm / 28,74"

W: 90 cm / 35,4"



H: 44 cm / 17,3"

D: 90 cm / 35,4"