



PRODUCT SHEET

Snaregade Dining Table, Ø120
by Norm Architects

Snaregade Dining Table, Ø120

BY NORM ARCHITECTS

Round dining table with a tabletop in linoleum, painted oak veneer or dark stained oak set on a powder coated steel base.

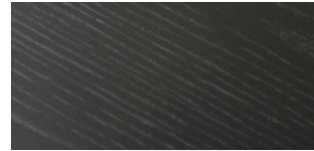


PRODUCT OPTIONS

TABLETOP



CHARCOAL LINOLEUM



BLACK OAK



DARK STAINED OAK

POWDER COATED STEEL BASE



BLACK STEEL

Snaregade Dining Table, Ø120

BY NORM ARCHITECTS

TECHNICAL SPECIFICATIONS

PRODUCT TYPE
Dining table

COLLI
1

ENVIRONMENT
Indoor

DIMENSIONS
H: 73 cm / 28,7"
Ø: 120 cm / 47,2"

PRODUCTION PROCESS
The tabletop is crafted from FSC certified oak veneer or Forbo linoleum glued on MDF, CNC machine-cut. The frame is welded together from steel tubes and the surface is finished with powder coating.

COLOUR

Linoleum tabletop
Charcoal (Forbo) S 8502-B

Wooden tabletop
Black oak veneer (RAL 9005)
Dark stained oak

Base
Black (RAL 9005)

MATERIALS

Linoleum, painted or dark stained oak veneer, MDF and powder coated steel

GLOSS
Gloss 10-20

WEIGHT

Tabletop: 34,3 kg / 75,6 lb
Base: 5,9 kg / 13 lb

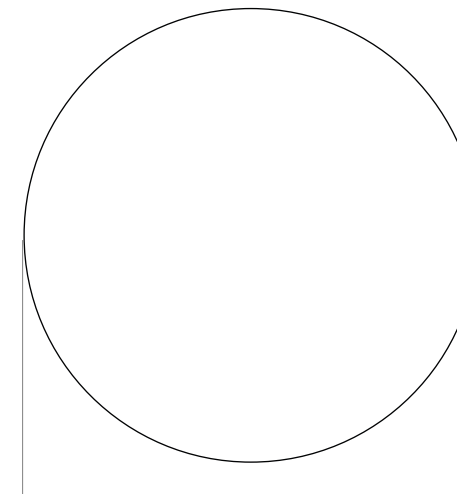
TEST
N / A

CERTIFICATIONS
TSCA title VI compliant
Crafted from FSC certified oak veneer

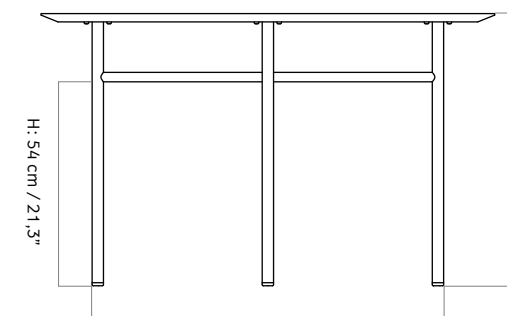
PACKAGING TYPE
Brown box

PACKAGING MEASUREMENTS (H x W x D)
4,8 cm x 124 cm x 124 cm / 1,9" x 48,9" x 48,9"

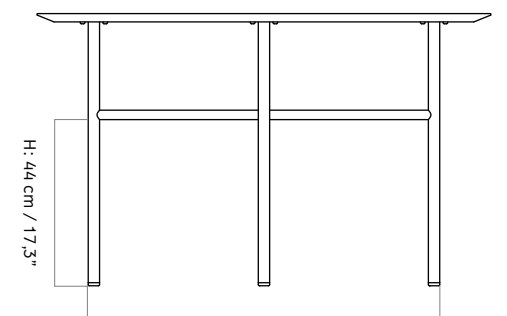
MATERIALS & MAINTENANCE
Please visit [menuspace.com](https://www.menuspace.com) for materials and care and maintenance instructions.



Ø: 120 cm / 47,2"



W: 90 cm / 35,4"



D: 90 cm / 35,4"