

## ASSEMBLING GUIDE

Round Dining Table

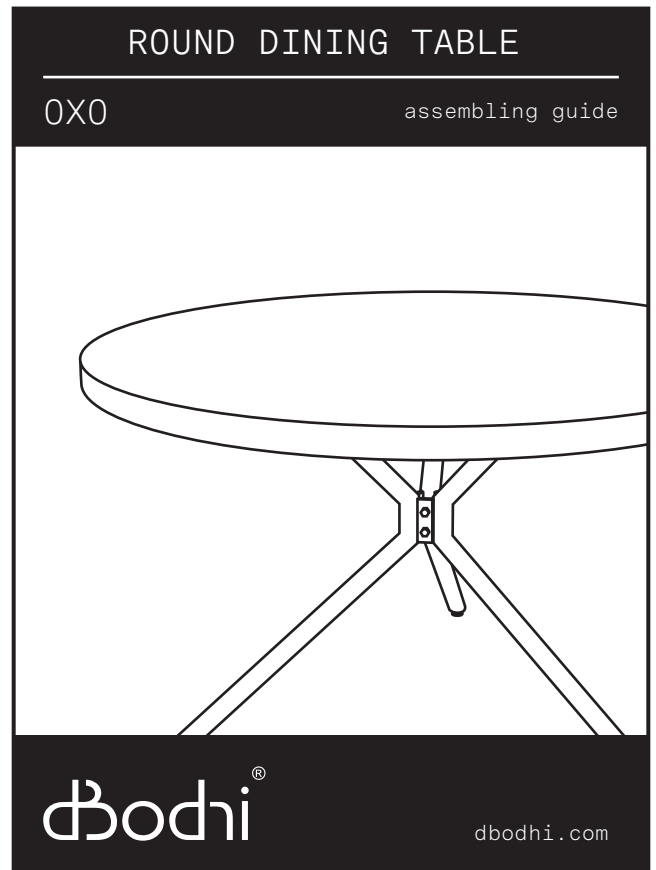
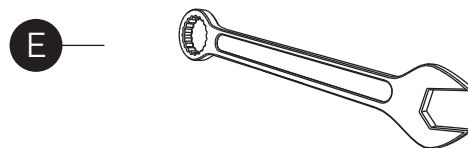
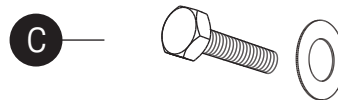
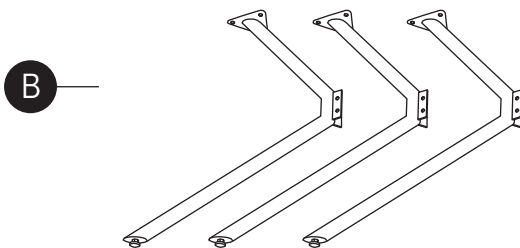


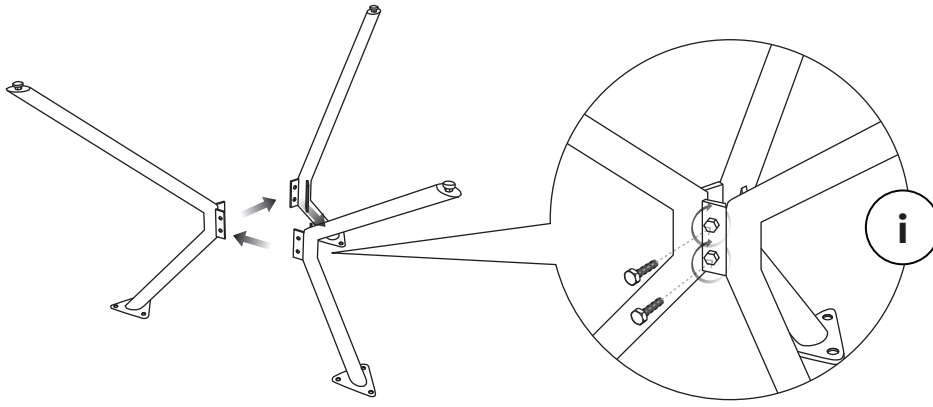
### Material used

Wood : Natural  
Iron : Black

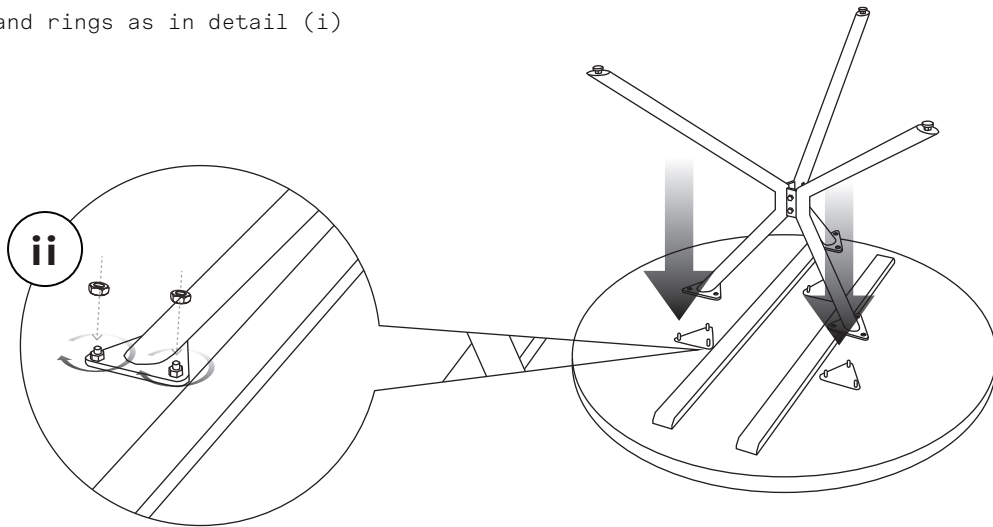
### Box Content

- a. Top table 1 pc
- b. Legs 3 pcs
- c. Bolts & rings M8x20mm : 6 pcs
- d. Nut & rings M8 : 9 pcs
- e. Tool 1 pc

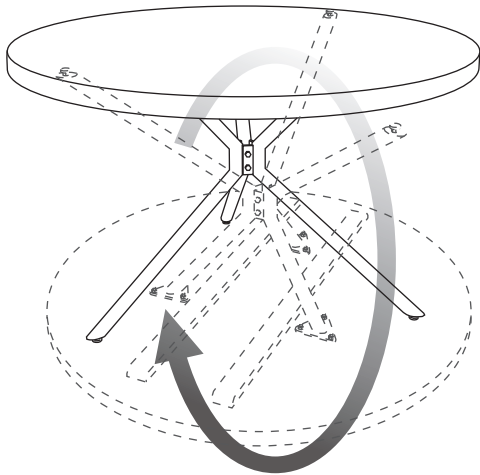




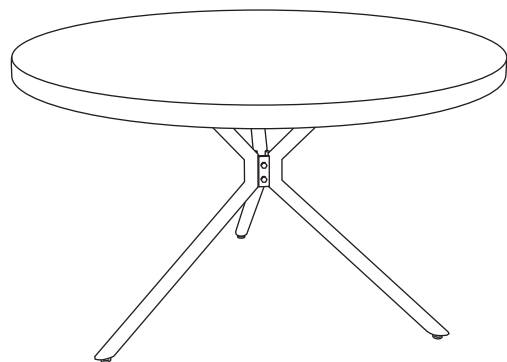
1. Install the legs as in picture above and tighten with bolt and rings as in detail (i)



2. Install the legs into the table top and tighten with nut and ring as in detail (ii)



3. Rotate the table into its right position



4. Your Dining table is ready.