

ASSEMBLING GUIDE

Dining Table



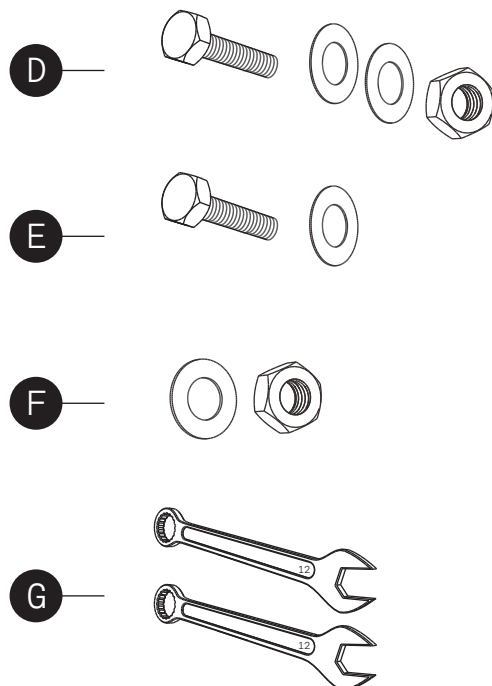
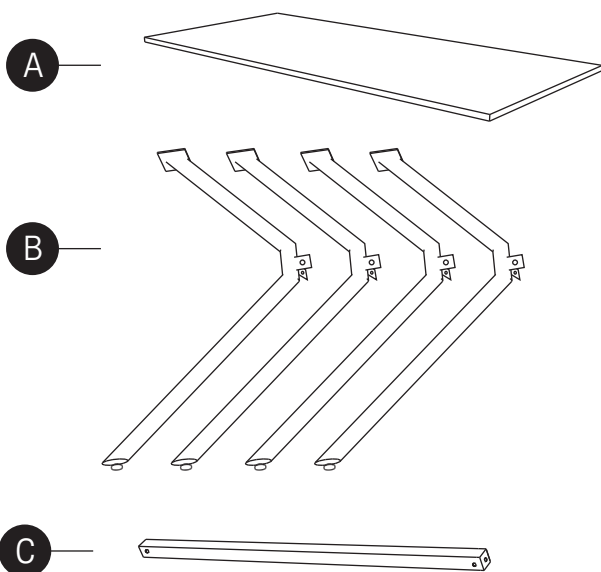
Material used

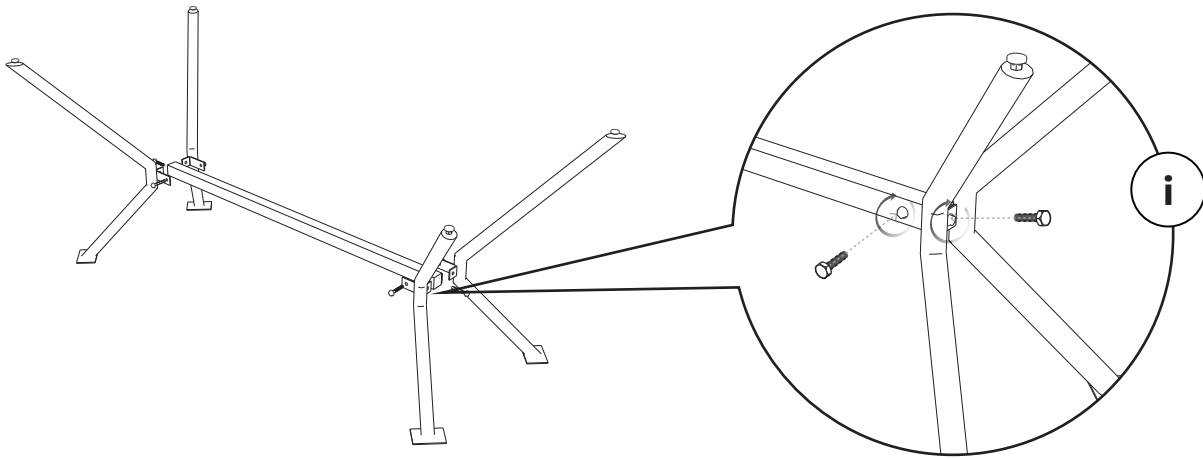
Wood : Natural
 Iron : Black



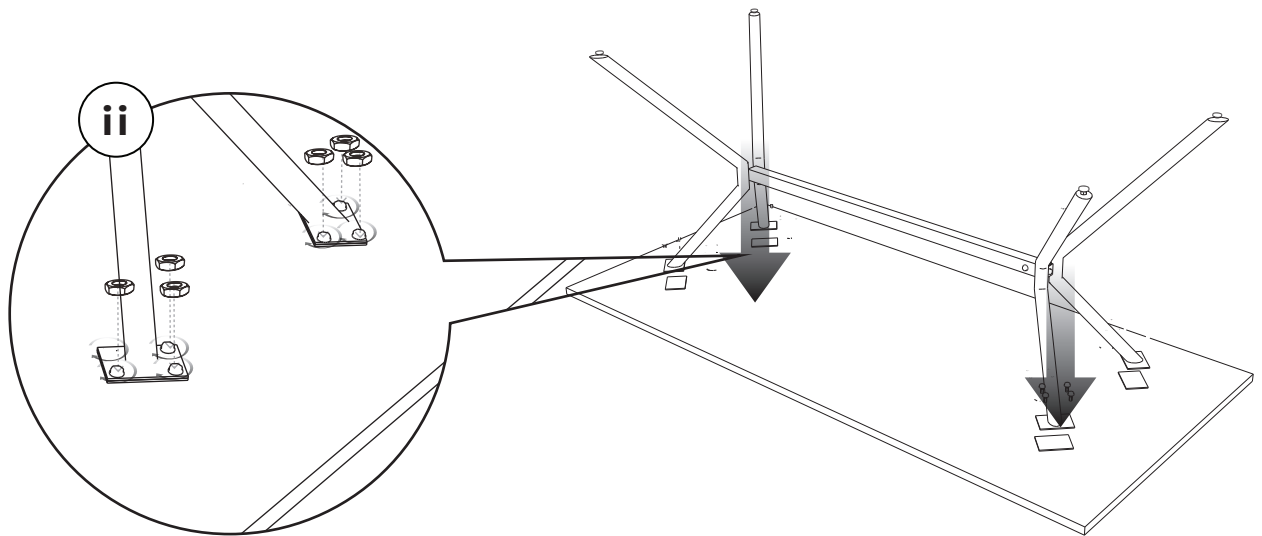
Box Content

- a. Top table 1 pc
- b. Legs 3 pcs
- c. Leg connector 1 pc
- d. Bolts rings and nut M8x60mm : 2 pcs
- e. Bolts and rings M8x20mm : 2 pcs
- f. Nut & rings M8 : 12 pcs
- g. Tool 2 pcs

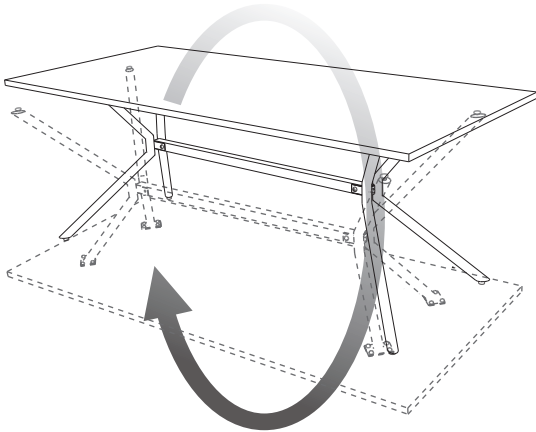




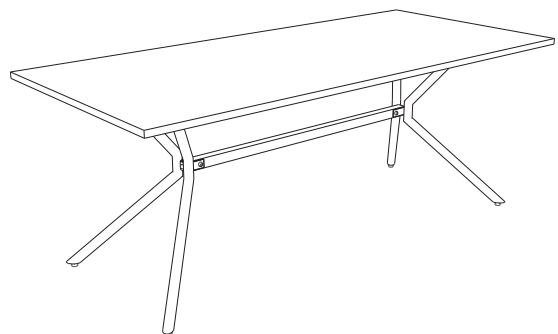
1. Instal the legs and leg connector as in picture above and tighten with bolt as in detail (i)



2. Instal the legs into the table top and tighten with nut as in detail (ii)



3. Rotate the table into its right position



4. Your Dining table is ready.