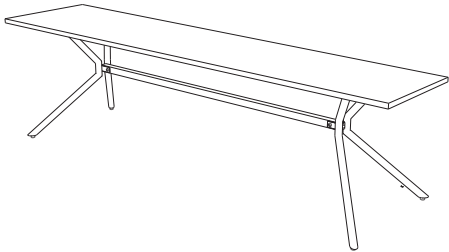


ASSEMBLING GUIDE

Bench



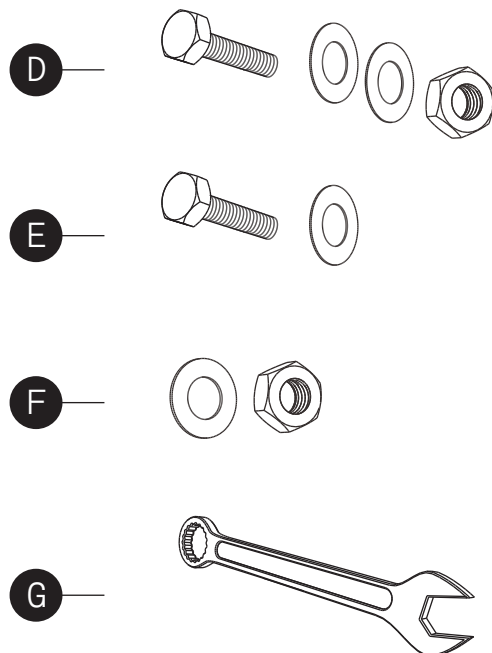
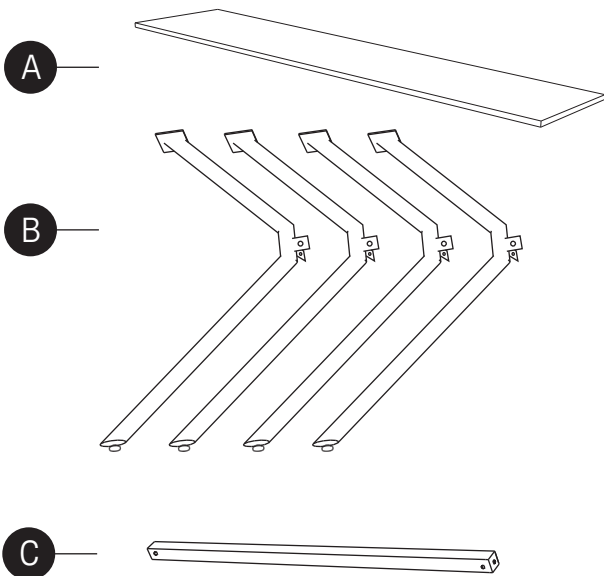
Material used

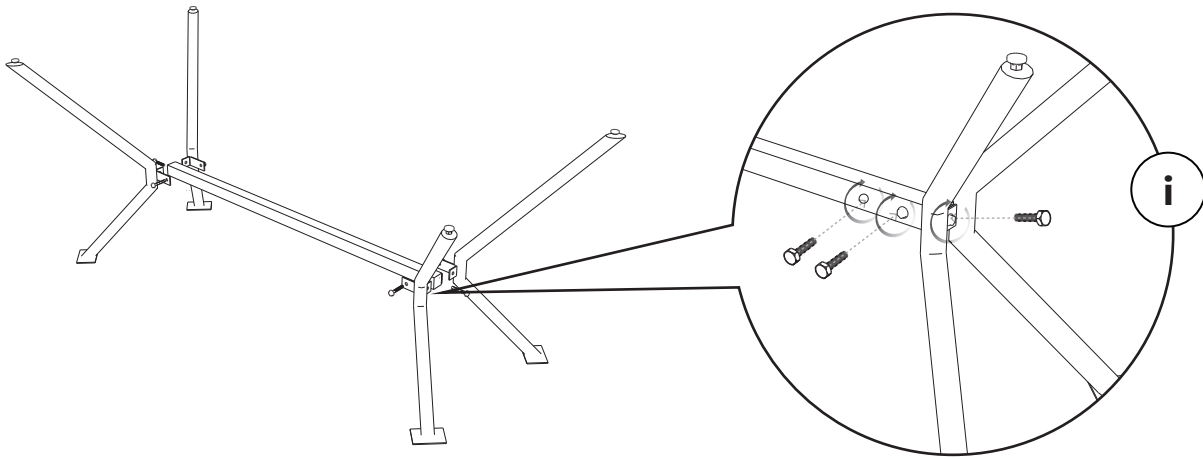
- Wood : Natural
- Iron : Black



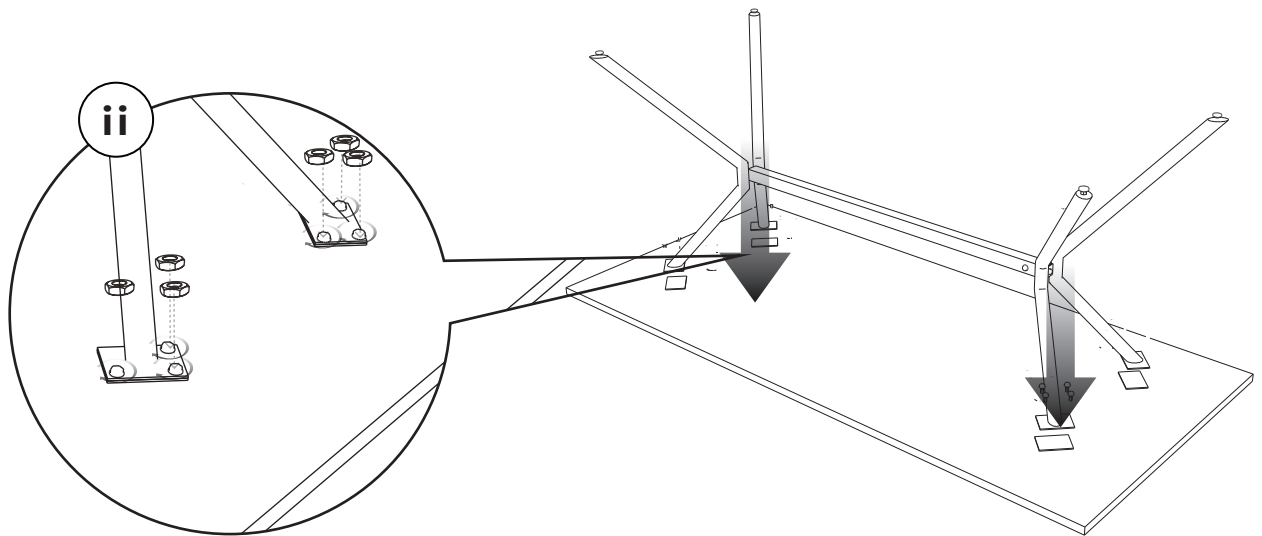
Box Content

- a. Top bench 1 pc
- b. Legs 2 pcs
- c. Leg connector 1 pc
- d. Bolts rings and nuts M8x40mm : 4 pcs
- e. Bolts and rings M8x20 : 2 pcs
- f. Nut & rings M8 : 12 pcs
- g. Tool 1 pc

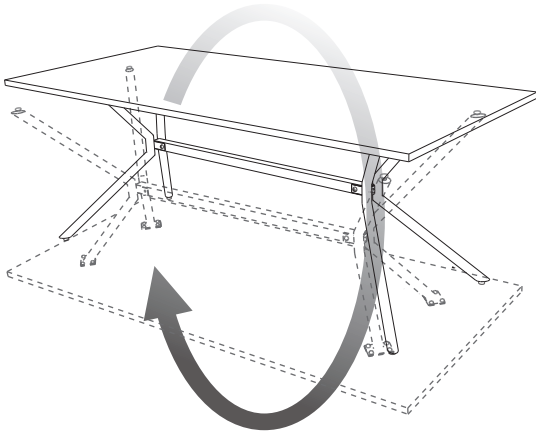




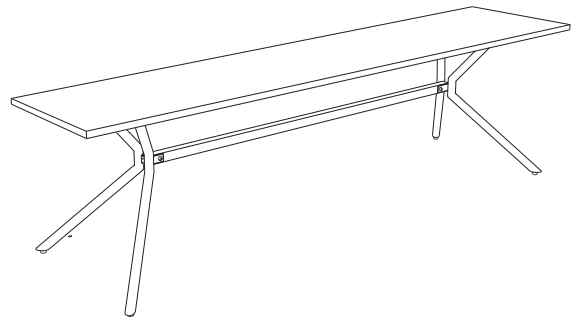
1. Instal the legs and leg connector as in picture above and tighten with bolt as in detail (i)



2. Instal the legs into the bench top and tighten with nut as in detail (ii)



3. Rotate the bench into its right position



4. Your Bench is ready.