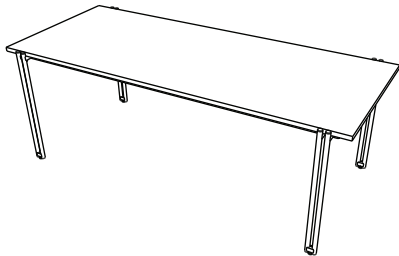


# ASSEMBLING GUIDE

Dining Table

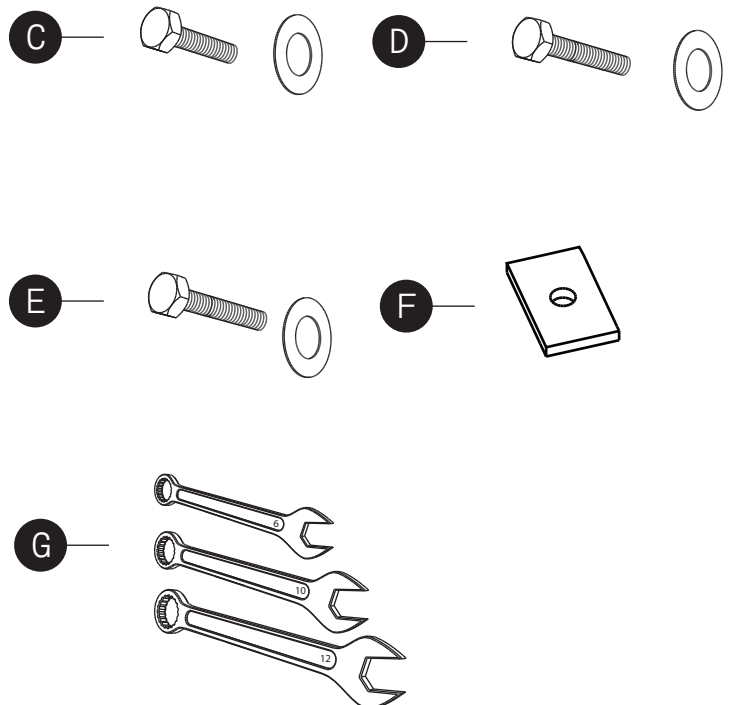
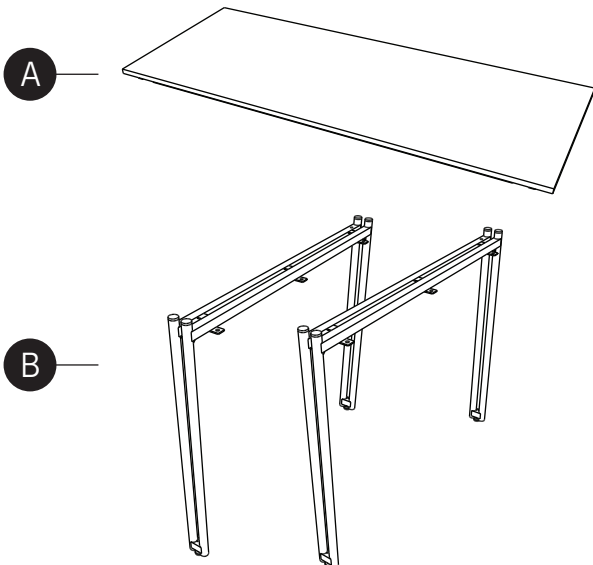


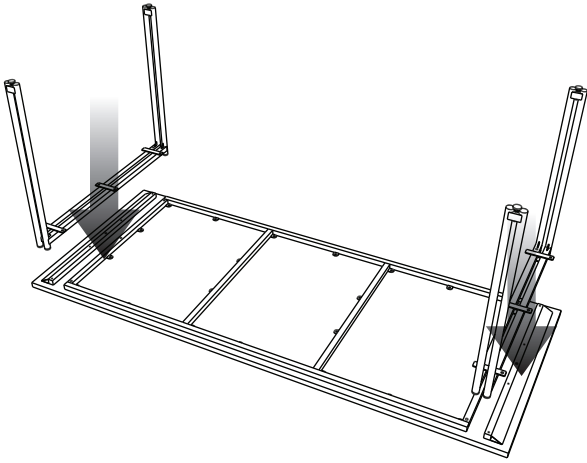
## Material used

- Wood : Finishing Not Polish
- Iron : Black

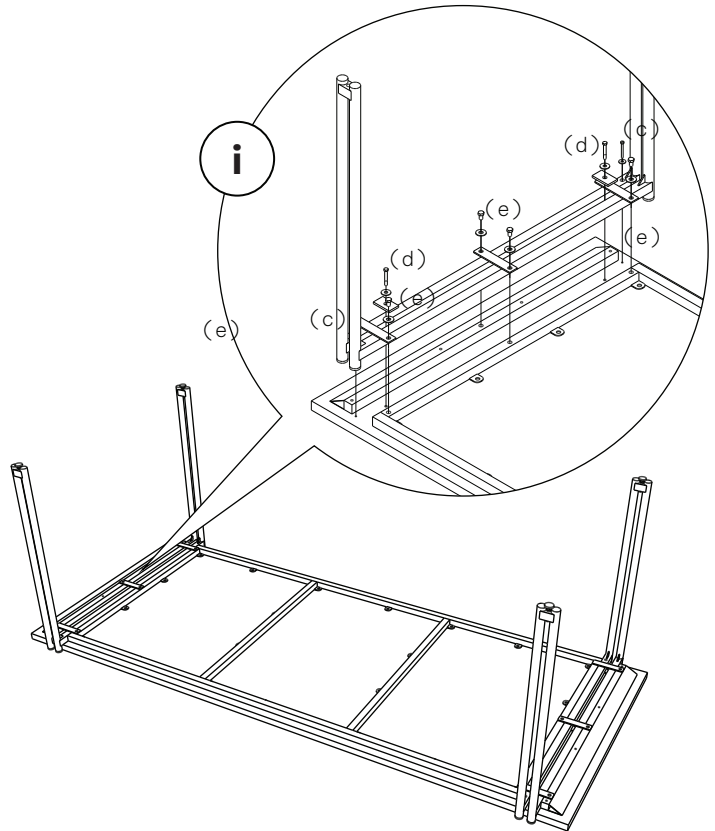
## Box Content

- a. Top bench 1 pc
- b. Legs 2 pcs
- c. Bolts and rings M4x40 : 4 pcs
- d. Bolts and rings M6x40 : 4 pcs
- e. Bolts and rings M8x15 : 8 pcs
- f. Iron plate 4 pcs
- g. Tool 3 pcs

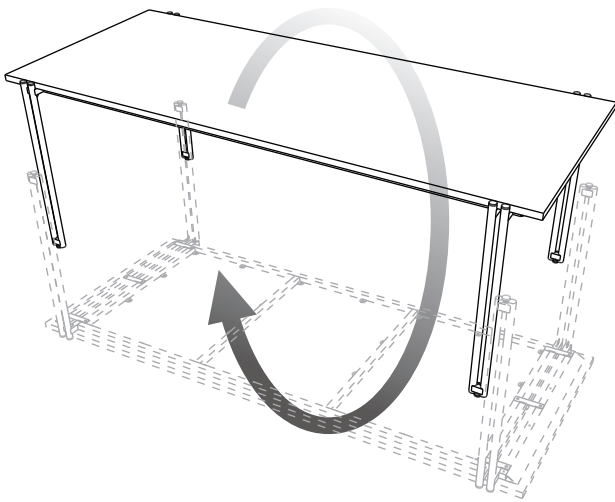




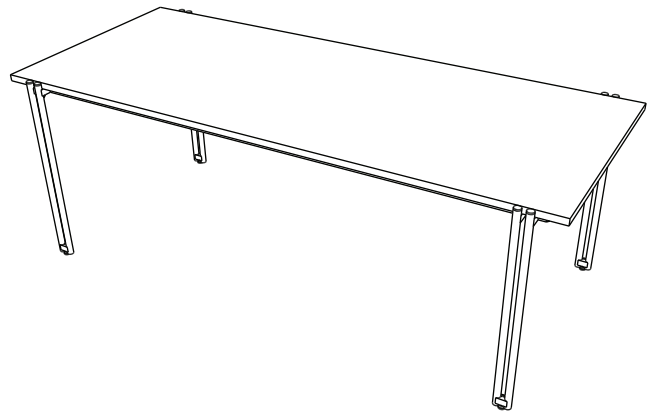
1. Install the legs like picture above.



2. Tighten the legs with bolt and ring as in detail (i)



3. Rotate the table into its right position



4. Your dining table is ready to use!