

ASSEMBLING GUIDE

Coffee Table

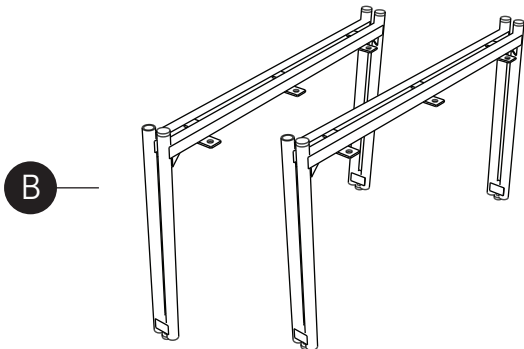


Material used

Wood : Finishing Not Polish
 Iron : Black

Box Content

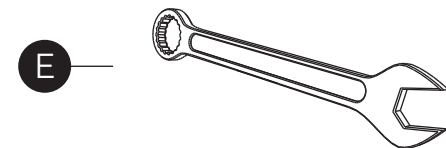
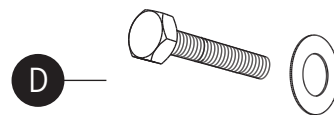
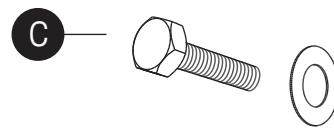
- a. Top table 1 pc
- b. Legs 2 pcs
- c. Bolts and rings M6x15 : 8 pcs
- d. Bolts and rings M6x30 : 4 pcs
- e. Tool 1 pc

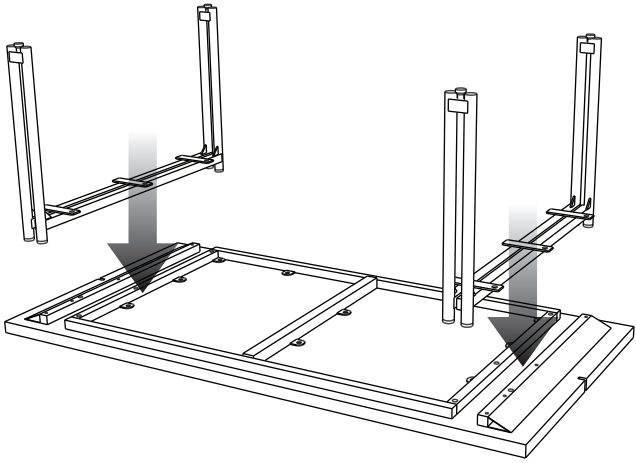


COFFEE TABLE

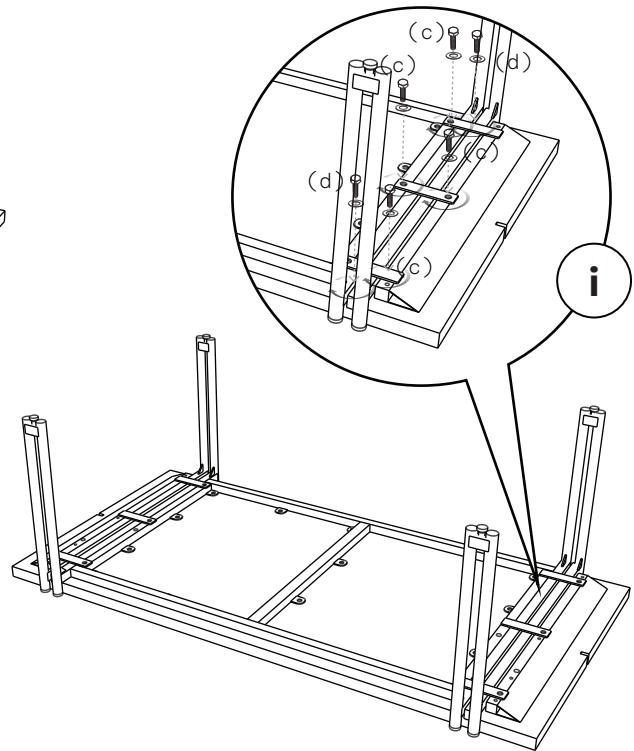
OUTLINE
assembling guide

dbodhi.com

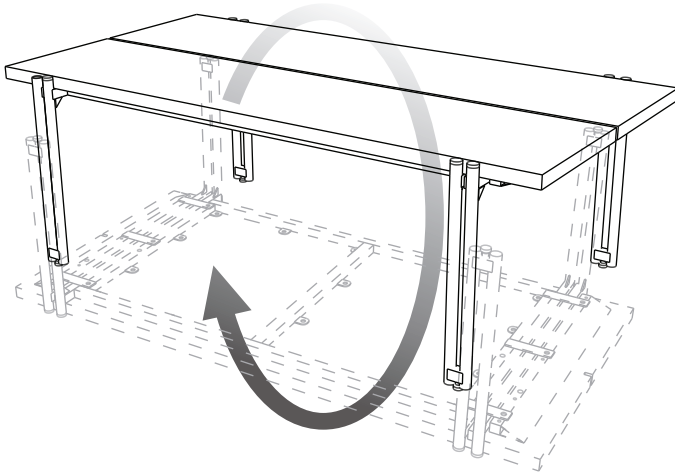




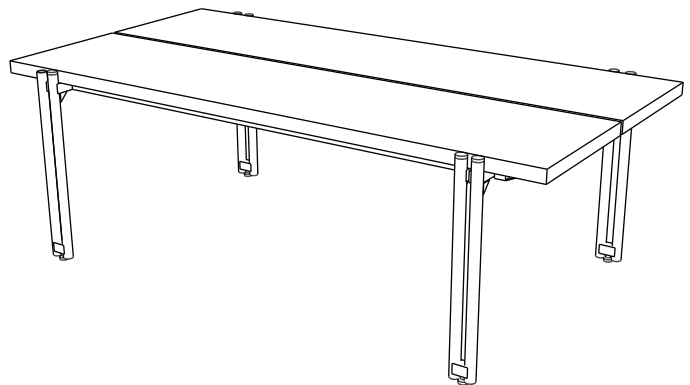
1. Install the legs into the table top as picture above.



2. Tighten the legs into the table top with rings and bolts as in detail (i)



3. Rotate the table into its right position.



4. Your coffee table is ready to use!