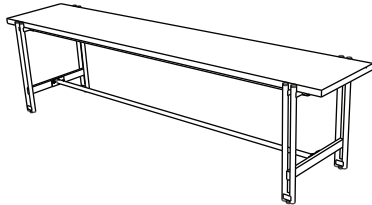


ASSEMBLING GUIDE

Bench

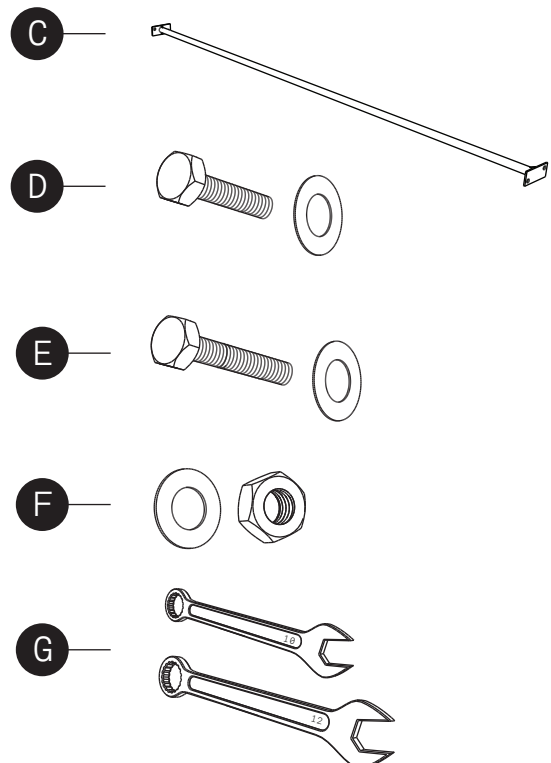
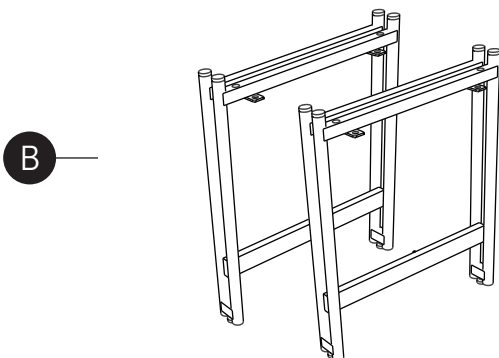
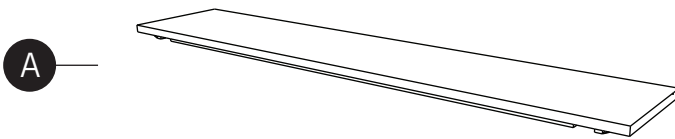


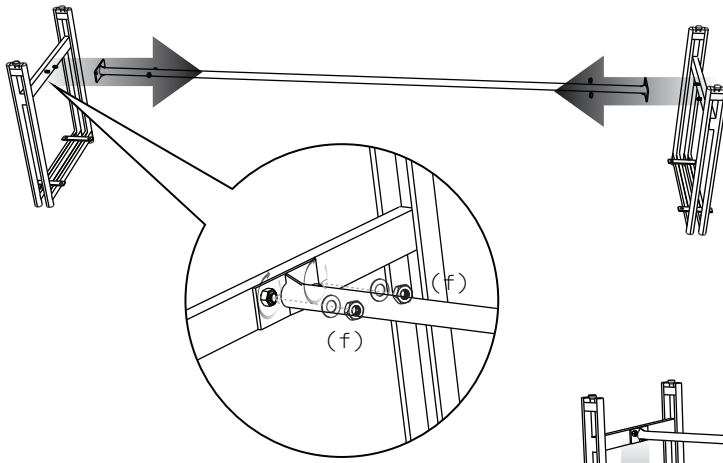
Material used

- Wood : Finishing Not Polish
- Iron : Black

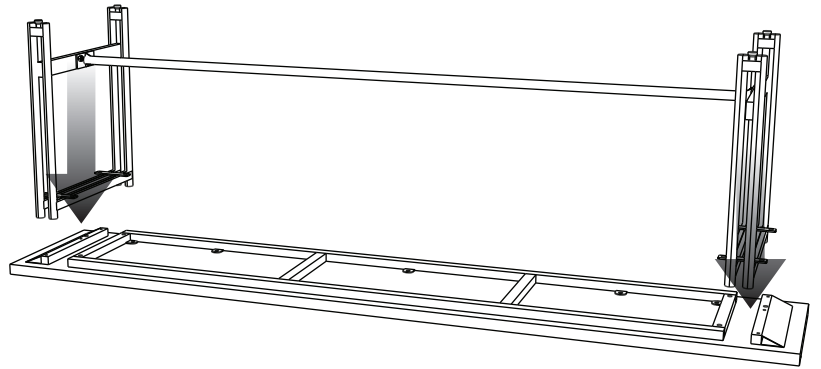
Box Content

- a. Top bench 1 pc
- b. Legs 2 pcs
- c. Support frame leg 1 pc
- d. Bolts and rings M8x20 : 8 pcs
- e. Bolts and rings M6x40 : 4 pcs
- f. Rings and nut M8 : 4 pcs
- g. Tool 2 pcs

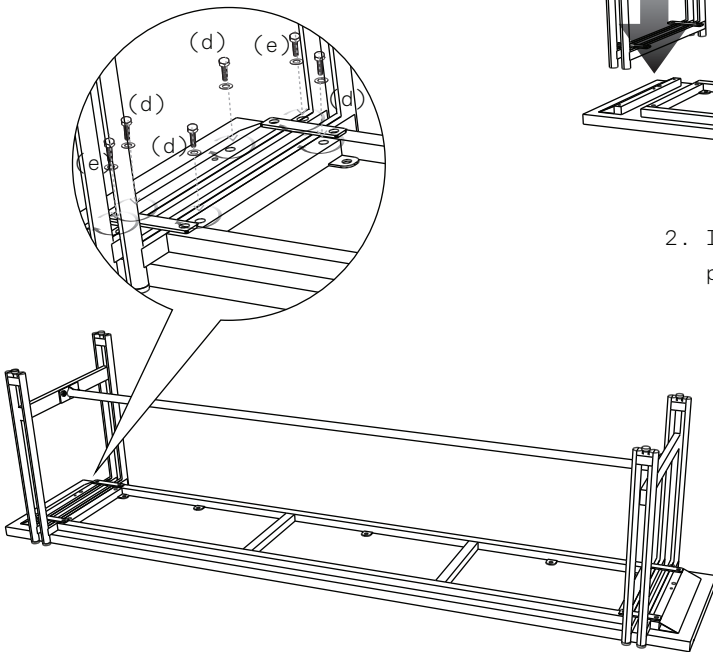




1. Install the feet rest into the legs like picture on the left, and tighten with ring and nut as in detail (i).

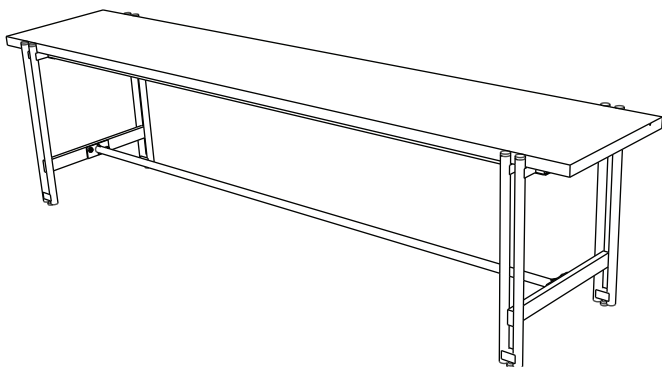
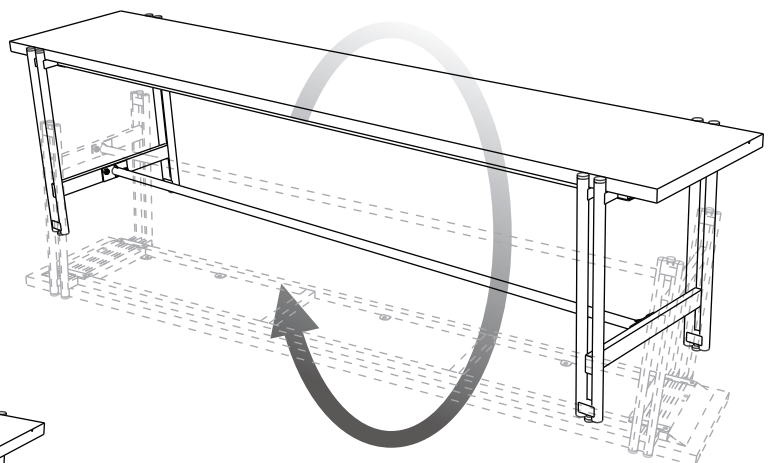


2. Install the legs into the bench top like picture above.



3. Tighten the legs with bolts as in detail (ii)

4. Rotate the bench into its right positions.



5. Your bench is ready to use!