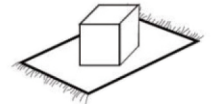


ASSEMBLY INSTRUCTIONS












MORGAN BED

GENERAL NOTE: CAREFULLY REMOVE ALL WRAPPING MATERIALS AND ENSURE ALL PARTS ARE ACCOUNTED FOR. ASSEMBLE ON A CLEAN FLAT SURFACE TO AVOID SCRATCHES. DO NOT DISCARD THE PACKAGING UNTIL ITEM IS FULLY ASSEMBLED.



1. Follow each step of instructions in the correct order, if not, assembly difficulties will occur and can result in injury or damage to the product.
2. For your safety, assembly by two (2) people is highly recommended.
3. Use the parts and hardware list below to identify and separate each of the pieces included.
4. Do not fully tighten all bolts until all parts are in place. Failure to follow these instructions may cause the bolts to misalign during assembly.
5. If using power tools to aid in assembly, please use caution. Power tools can damage the hardware and /or the products itself, which will void the warranty.

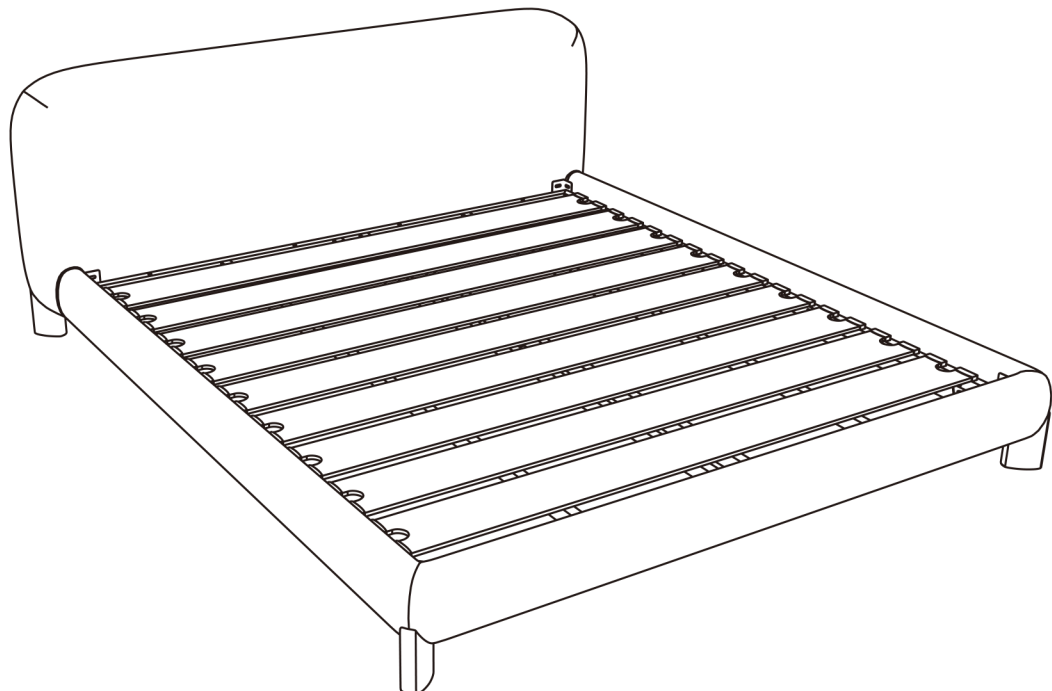
HARDWARE LIST

ITEM	QTY	DESCRIPTION	NO.	QTY	DESCRIPTION
A	4	B-45 Bracket 	B	2	22cm Frame feet 
C	4	Frame leg 	D	2	Plastic bracket 
E	4	D-45 Bracket (for footboard) 	F	2	D-45 Bracket (for footboard) 
G	35	M8-30MM 	H	2	Frame leg 
I	8	M8-45MM 	L	6	M5-40MM 
K	2	REINFORCED IRON 			

COMPLETED ASSEMBLY



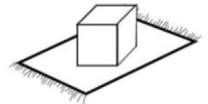
TOOLS NEEDED



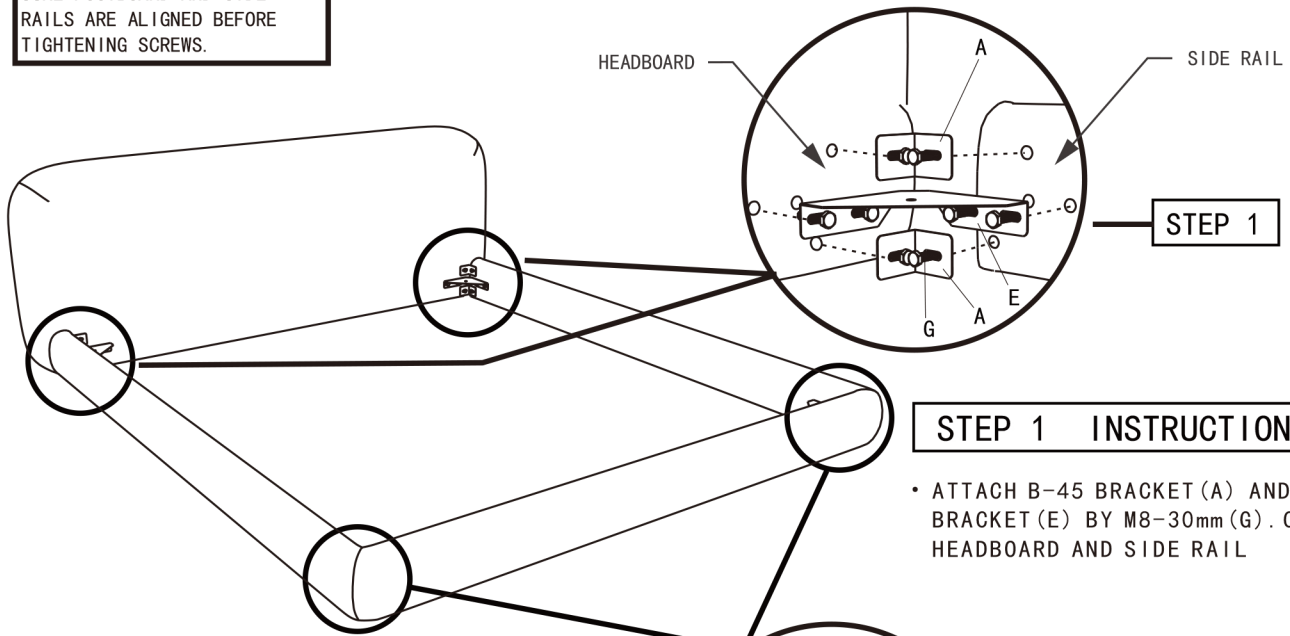
ASSEMBLY INSTRUCTIONS

MORGAN BED

GENERAL NOTE: CAREFULLY REMOVE ALL WRAPPING MATERIALS AND ENSURE ALL PARTS ARE ACCOUNTED FOR. ASSEMBLE ON A CLEAN FLAT SURFACE TO AVOID SCRATCHES. DO NOT DISCARD THE PACKAGING UNTIL ITEM IS FULLY ASSEMBLED.



• *NOTE* PLEASE MAKE SURE FOOTBOARD AND SIDE RAILS ARE ALIGNED BEFORE TIGHTENING SCREWS.

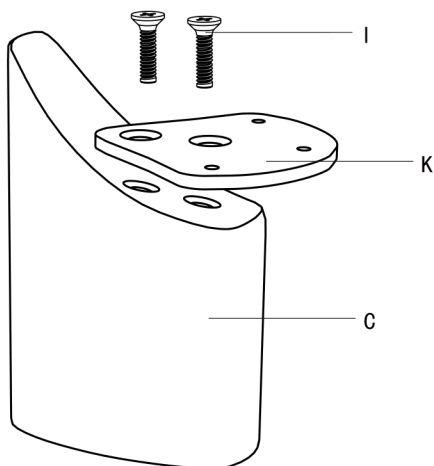
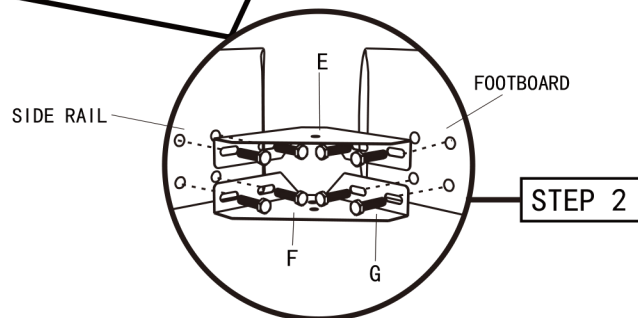


STEP 1 INSTRUCTIONS:

- ATTACH B-45 BRACKET (A) AND D-45 BRACKET (E) BY M8-30mm (G). CONNECT HEADBOARD AND SIDE RAIL

STEP 2 INSTRUCTIONS:

- ATTACH D-45 BRACKET (E) AND D-45 BRACKET (F) BY M8-30mm (G). CONNECT SIDE RAILS AND FOOTBOARD.



STEP 3 INSTRUCTIONS:

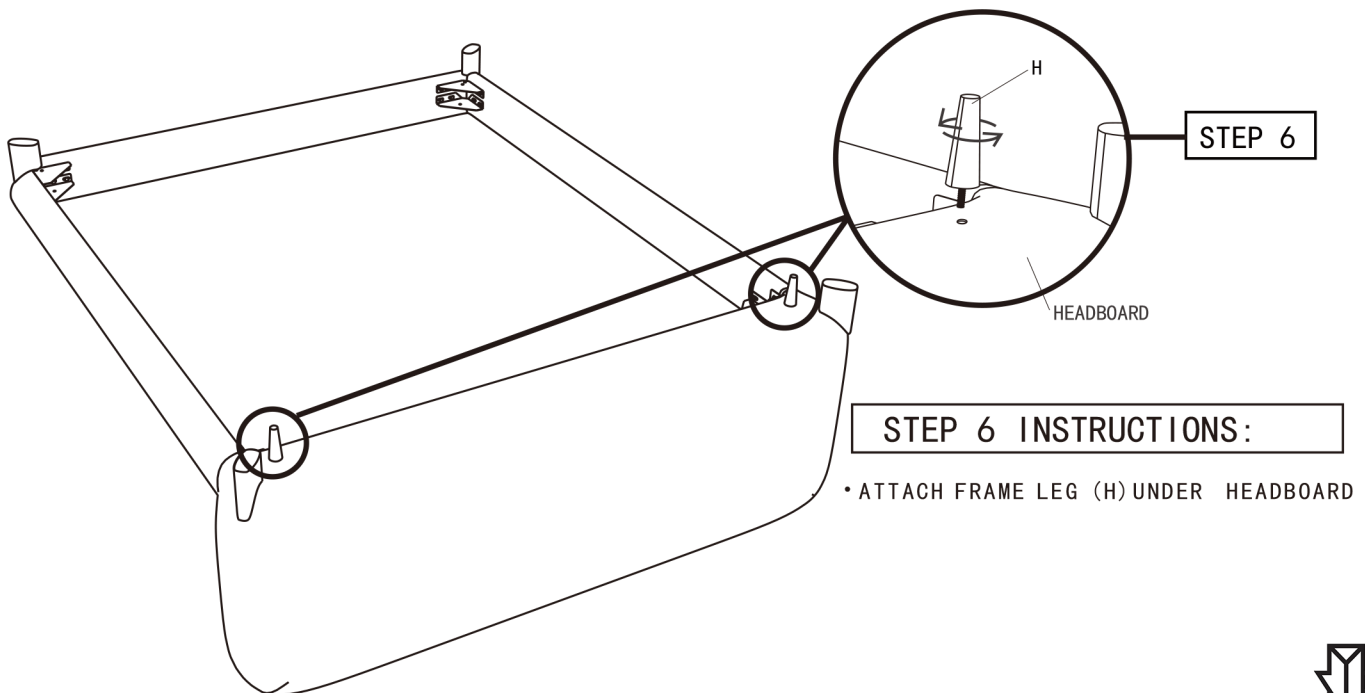
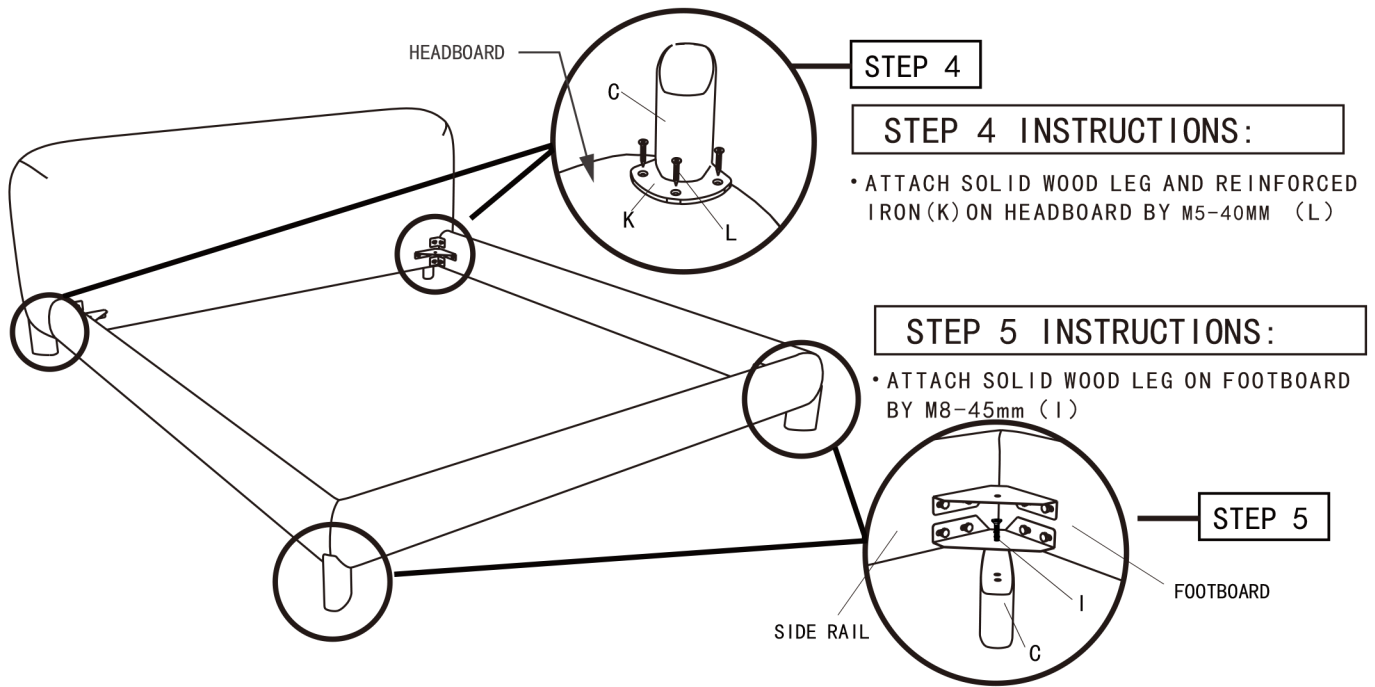
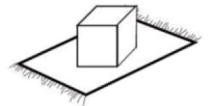
- ATTACH FRAME LEG (C) AND REINFORCED IRON (K) BY M8-45mm (I).



ASSEMBLY INSTRUCTIONS

MORGAN BED

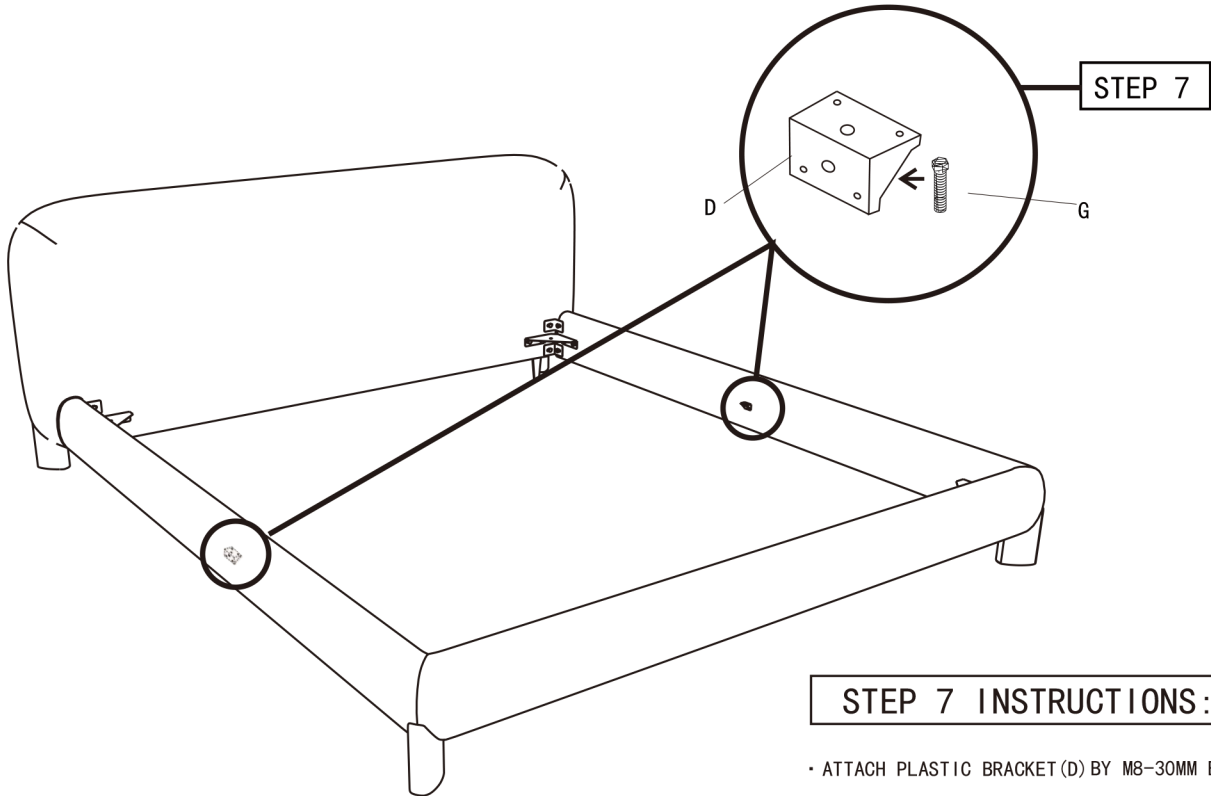
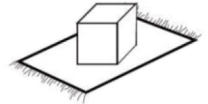
GENERAL NOTE: CAREFULLY REMOVE ALL WRAPPING MATERIALS AND ENSURE ALL PARTS ARE ACCOUNTED FOR. ASSEMBLE ON A CLEAN FLAT SURFACE TO AVOID SCRATCHES. DO NOT DISCARD THE PACKAGING UNTIL ITEM IS FULLY ASSEMBLED.



ASSEMBLY INSTRUCTIONS

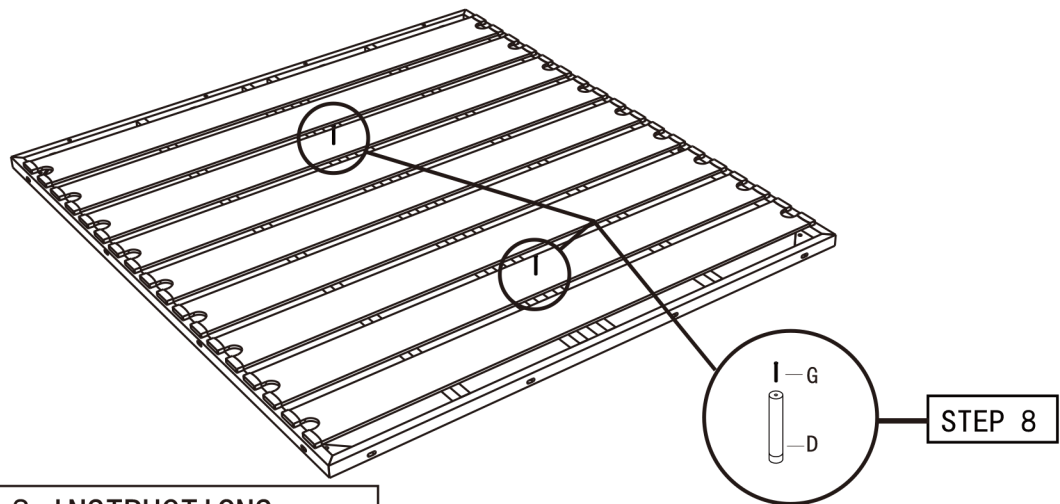
MORGAN BED

GENERAL NOTE: CAREFULLY REMOVE ALL WRAPPING MATERIALS AND ENSURE ALL PARTS ARE ACCOUNTED FOR. ASSEMBLE ON A CLEAN FLAT SURFACE TO AVOID SCRATCHES. DO NOT DISCARD THE PACKAGING UNTIL ITEM IS FULLY ASSEMBLED.



STEP 7 INSTRUCTIONS:

• ATTACH PLASTIC BRACKET (D) BY M8-30MM BOLT (G)



STEP 8 INSTRUCTIONS:

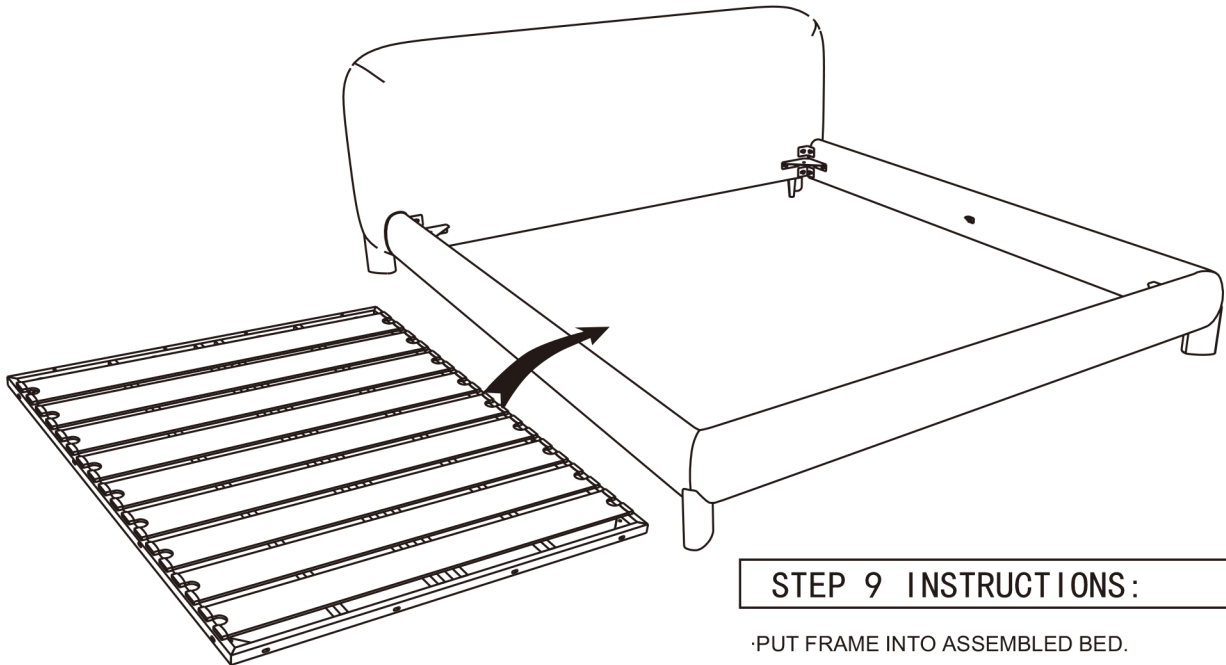
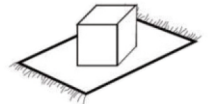
• ATTACH FRAME FEET (D) BY M8-30MM BOLT (G)



ASSEMBLY INSTRUCTIONS

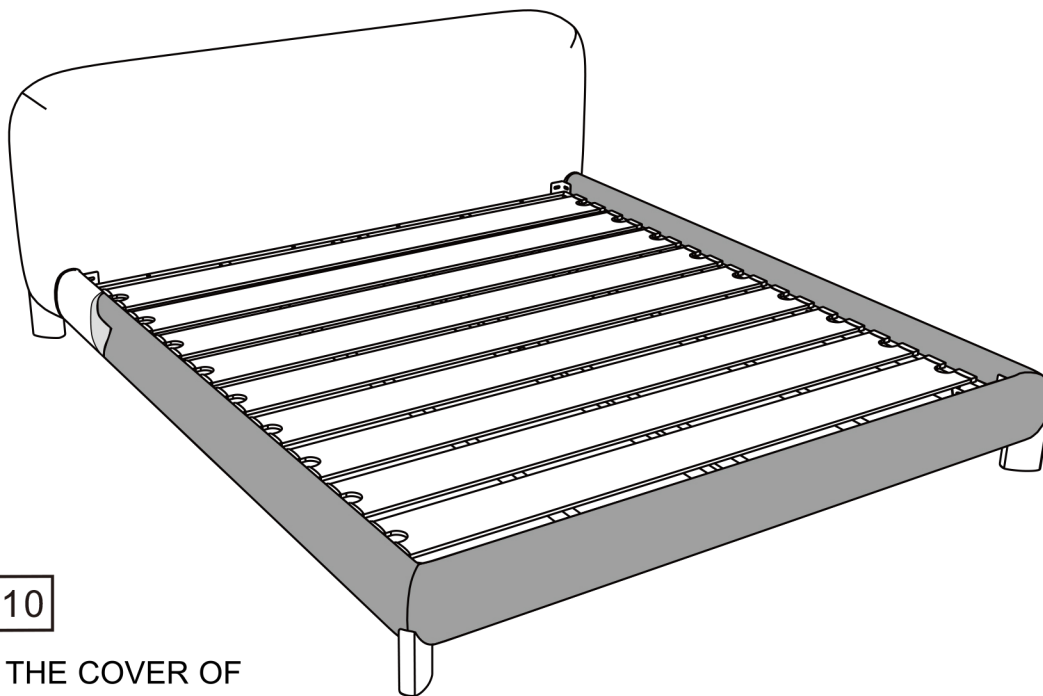
MORGAN BED

GENERAL NOTE: CAREFULLY REMOVE ALL WRAPPING MATERIALS AND ENSURE ALL PARTS ARE ACCOUNTED FOR. ASSEMBLE ON A CLEAN FLAT SURFACE TO AVOID SCRATCHES. DO NOT DISCARD THE PACKAGING UNTIL ITEM IS FULLY ASSEMBLED.



STEP 9 INSTRUCTIONS:

·PUT FRAME INTO ASSEMBLED BED.



STEP 10

PUT ON THE COVER OF
SIDE RAILS



CAUTION/WARNING:

To avoid any damage on the hydraulics and bed, please do not pull down the spring frame without putting the mattress on top as the added counterweight will help alleviate the motion and mechanism on the hydraulics. Any damages caused by forcefully pulling down the spring frame by itself will void the warranty. Maximum weight capacity is 220lbs. Do not allow children to play inside the storage bed. Improper use of product can result in serious injury or death.