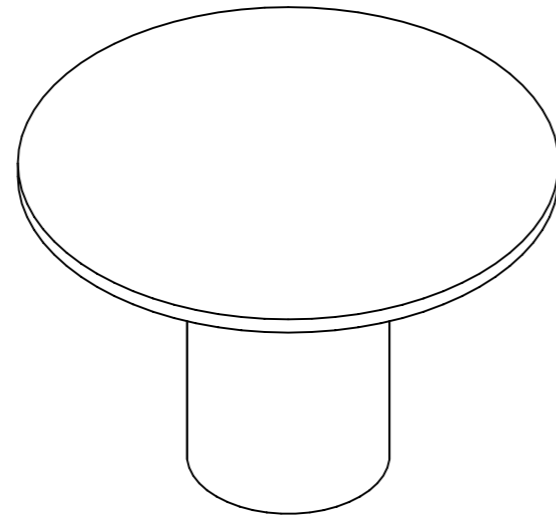


# Merano Dining Table

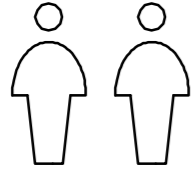
ITEM NO.:131963

## Assembly Instructions:

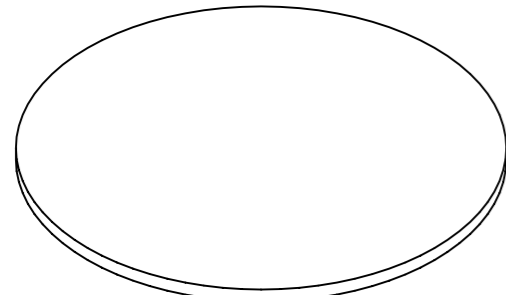
Thank you for purchasing this Dining Table.  
This page lists all the contents included in the box.  
Please take time to identify the hardware as well as the individual components of this product.  
As you unpack and prepare for assembly, place the contents on a carpeted or padded area to protect them from damage.



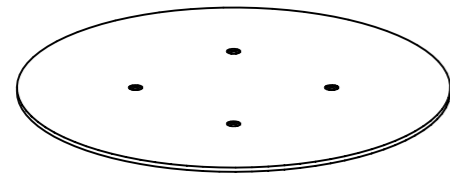
## Assembly Requirements:



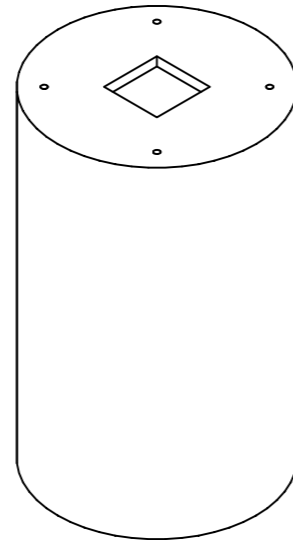
## Parts:



(A) TABLE TOP= 1PC



(B) CONNECTING BOARD= 1PC

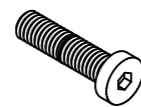


(C) TABLE BASE=1 PC

## Fittings:



(D) ALLEN KEY= 1PC



(E) MACHINE SCREW= 4PCS

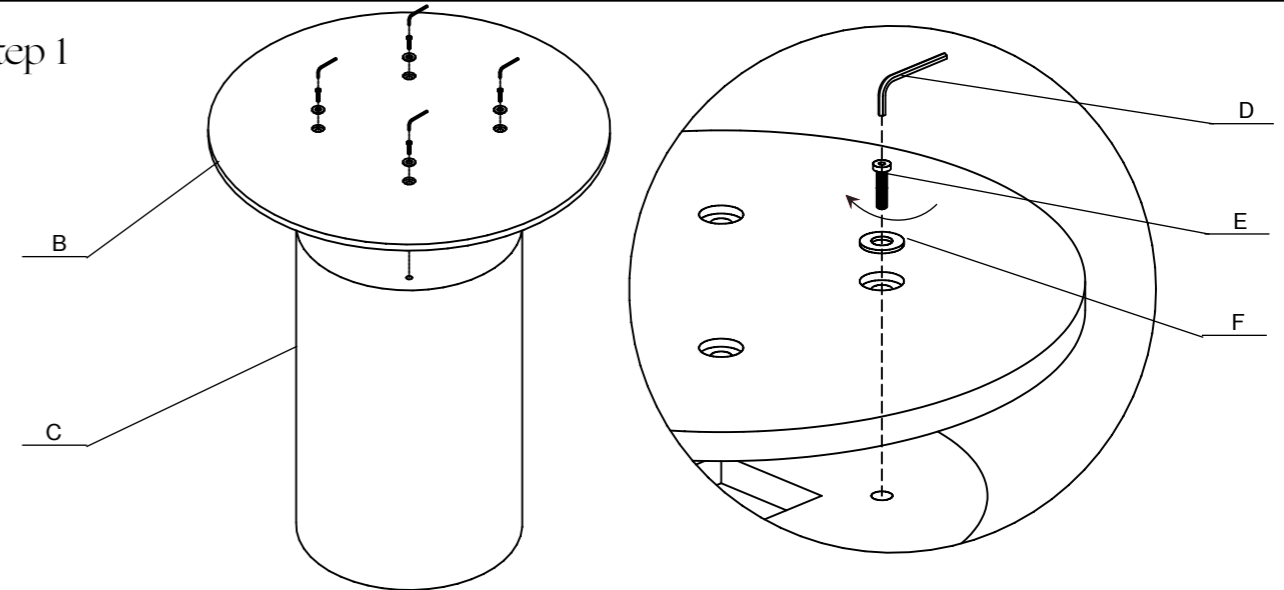


(F) WASHER= 4PCS

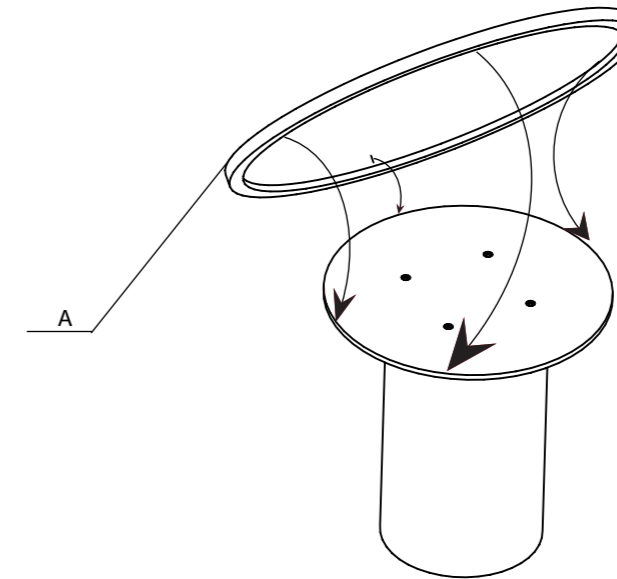


# Merano Dining Table

## Step 1



## Step 2



## Finish

