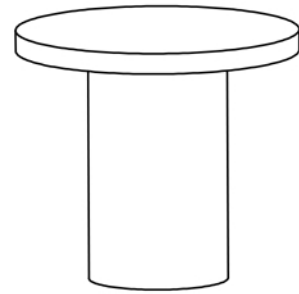


# Mason Side Table

---

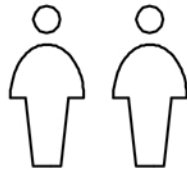
## Assembly Instructions:

Thank you for purchasing this Side Table. This page lists all the contents included in the box. Please take time to identify the hardware as well as the individual components of this product. Do not discard any of the packing material until all the hardware has been located. As you unpack and prepare for assembly, place the contents on a carpeted or padded area to protect them from damage.



---

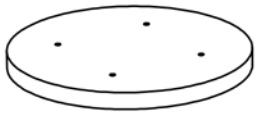
## Assembly Requirements



DO NOT USE  
POWER TOOLS

---

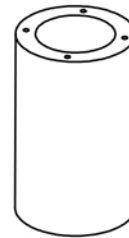
## Parts:



① Table Top - 1pc



② Connecting Plate - 1pc



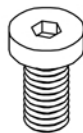
③ Leg - 1pc

---

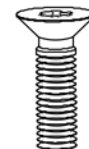
## Fittings:



Ⓐ Allen Key - 1pcs



Ⓑ Machine Screw - 4pcs



Ⓒ Countersunk head screw- 8pcs



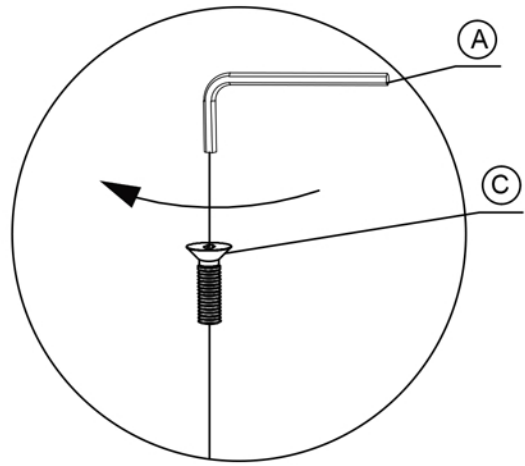
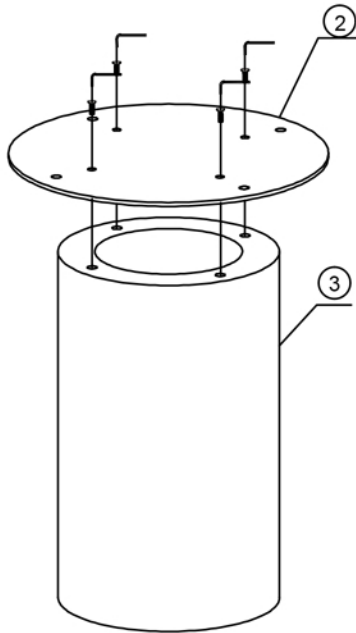
Ⓓ Washer - 4pcs



# Mason Side Table

---

## Step 1



---

## Step 2

