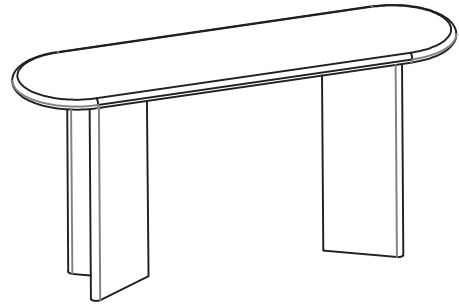


Lindy Console Table

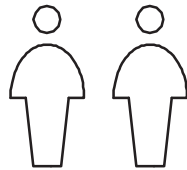
ITEM NO.: 150505

Assembly Instructions:

Thank you for purchasing this Console Table. This page lists all the contents included in the box. Please take time to identify the hardware as well as the individual components of this product. Do not discard any of the packing material until all the hardware has been located. As you unpack and prepare for assembly, place the contents on a carpeted or padded area to protect them from damage.



Assembly Requirements



DO NOT USE
POWER TOOLS

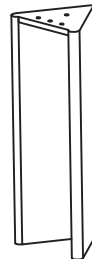
Parts:



(A) Table Top - 1pc

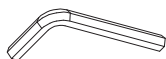


(B) Connecting Plate - 1pc

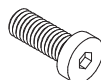


(C) Leg - 2pcs

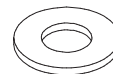
Fittings:



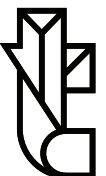
(D) Allen Key - 1pcs



(E) Machine Screw - 6pcs



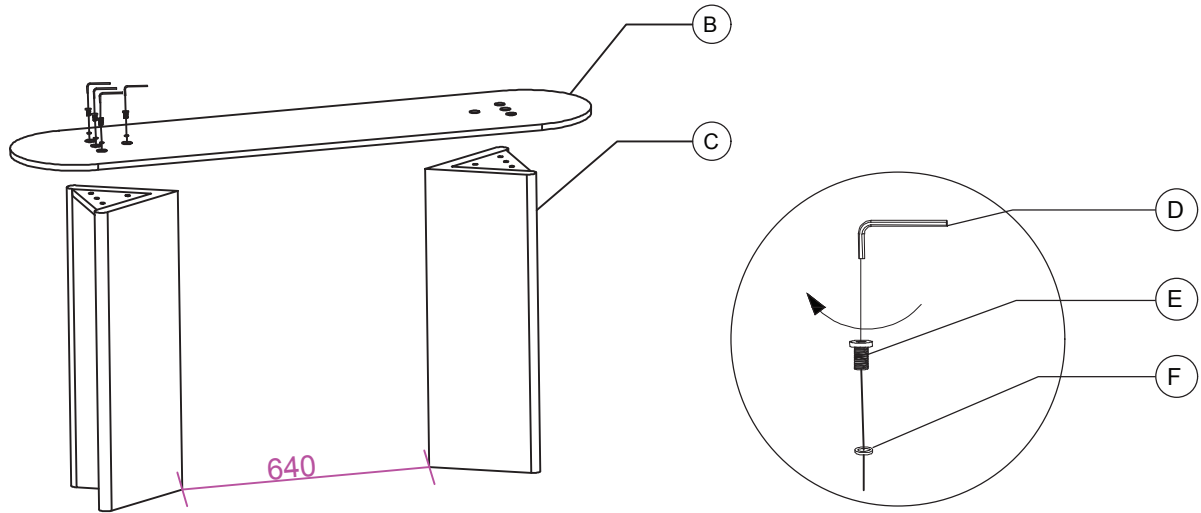
(F) Washer - 6pcs



Lindy Console Table

Step 1

Set the legs in place in the room before assembling, do not carry when fully assembled.
Please ensure the legs are placed with the correct distance between them before assembly.



Step 2

For safety, at least 2 adults are required to install the table.

