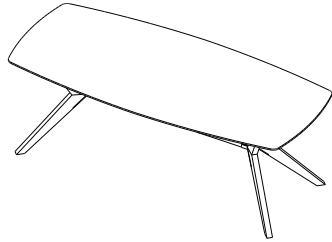


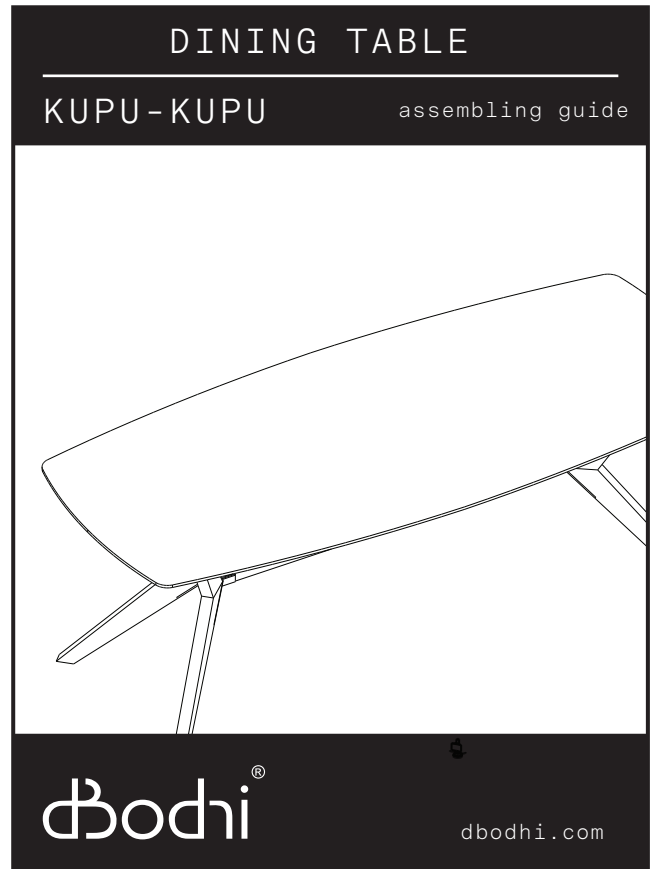
ASSEMBLING GUIDE

Dining Table



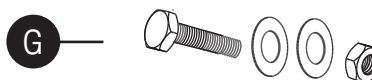
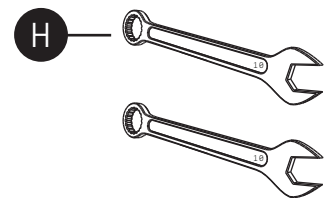
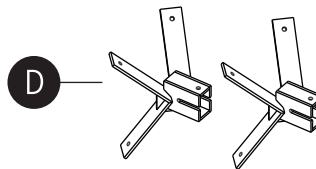
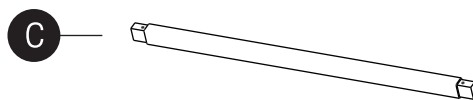
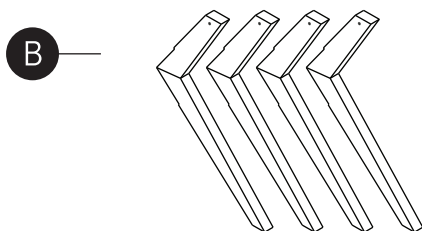
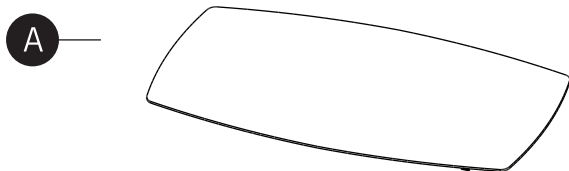
Material used

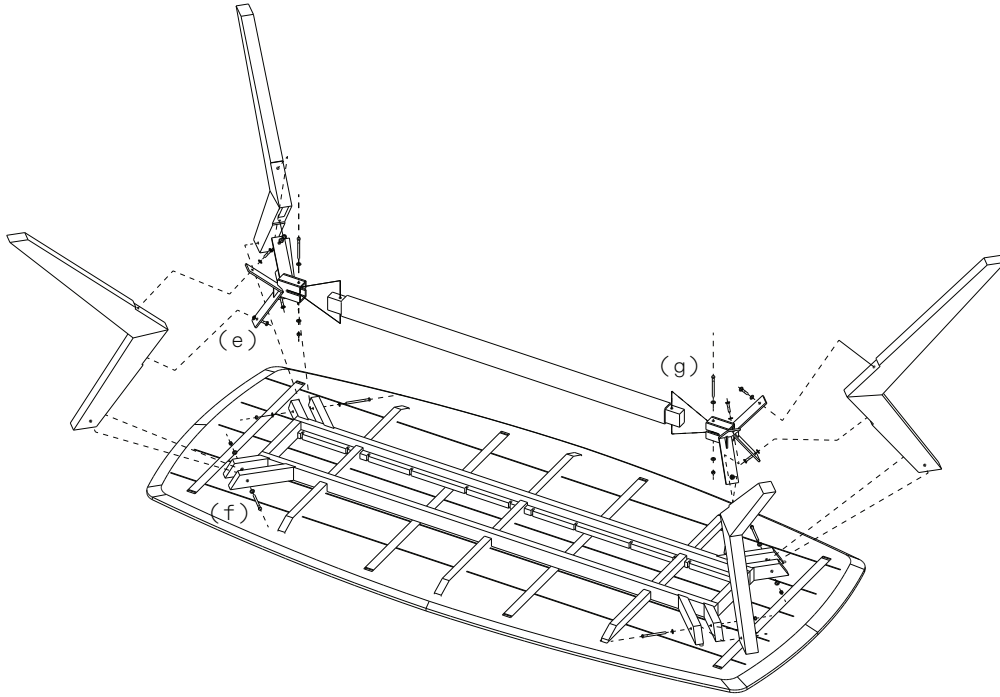
- Wood : Finishing Not Polish
- Iron : Vintage Chopper



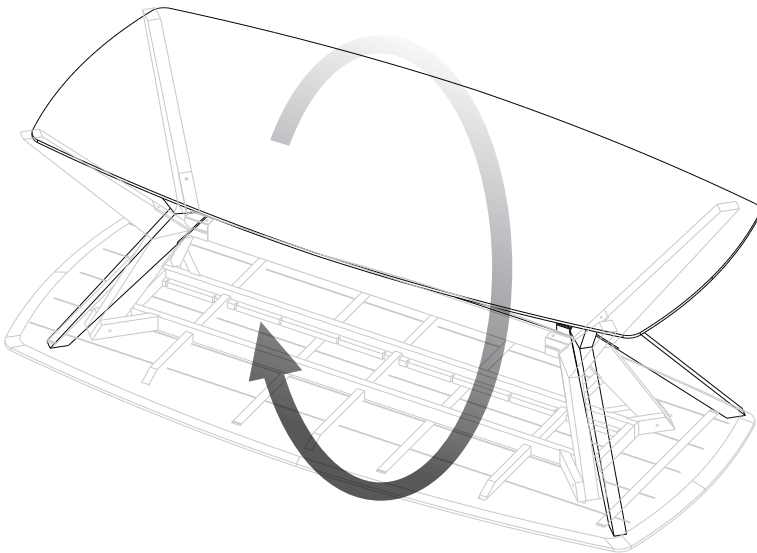
Box Content

- a. Top Table 1 pc
- b. Legs 4 pcs
- c. Frame Legs 1 pc
- d. Legs support 2 pcs
- e. Bolt and ring M6x20mm : 8 pcs
- f. Bolt, ring and nut M6x100mm : 4 pcs
- g. Bolt, ring and nut M6x70mm : 2 pcs
- h. Tools 2 pcs

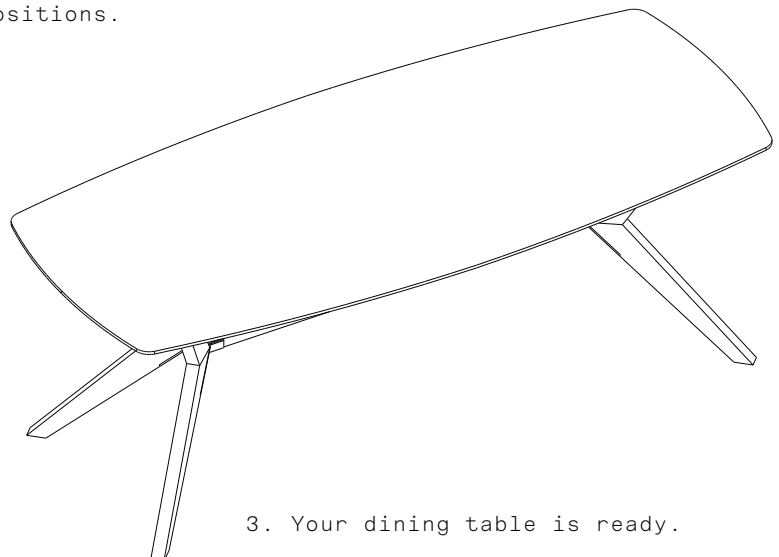




1. Install the legs into the table top like picture above and tighten with bolt ring and nut. Please make sure the code of bolt.



2. Rotate the table into its right positions.



3. Your dining table is ready.