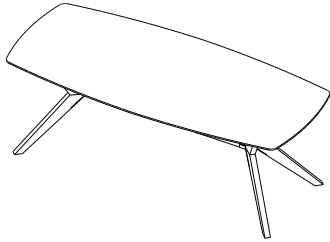


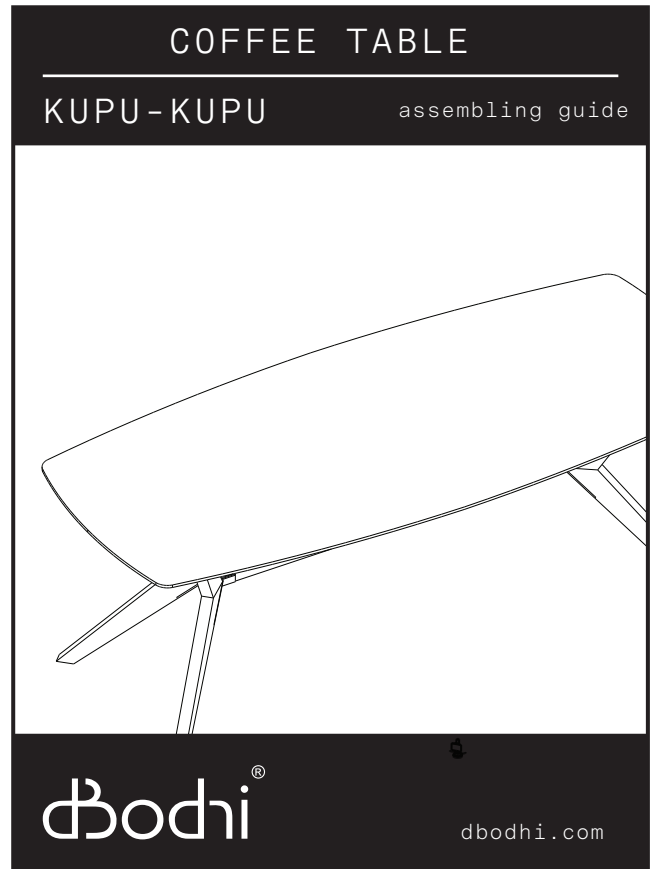
# ASSEMBLING GUIDE

Coffee Table



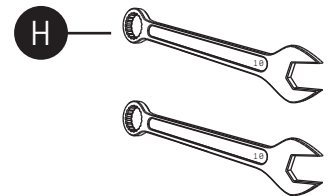
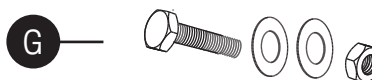
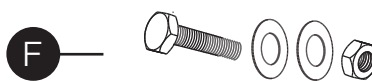
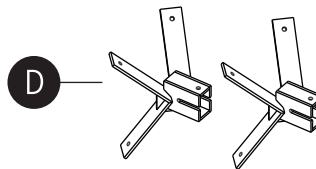
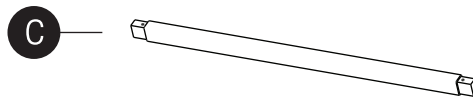
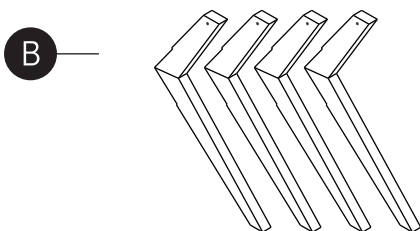
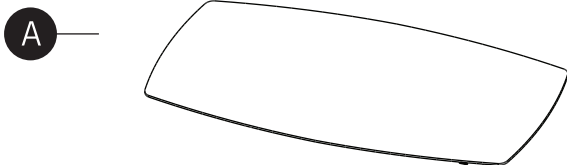
## Material used

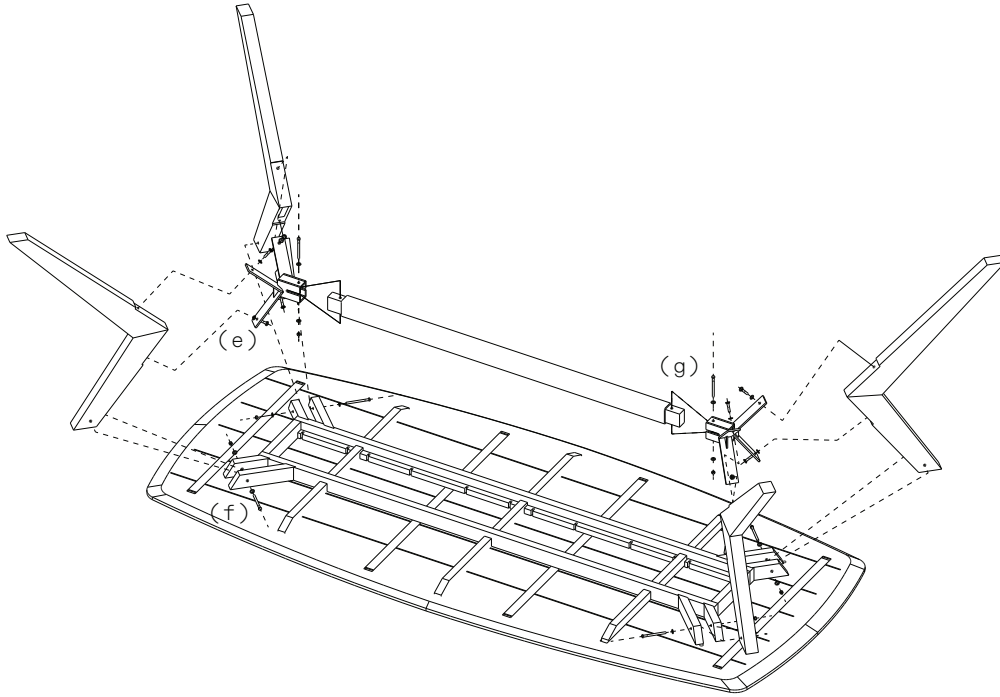
- Wood : Finishing Not Polish
- Iron : Vintage Chopper



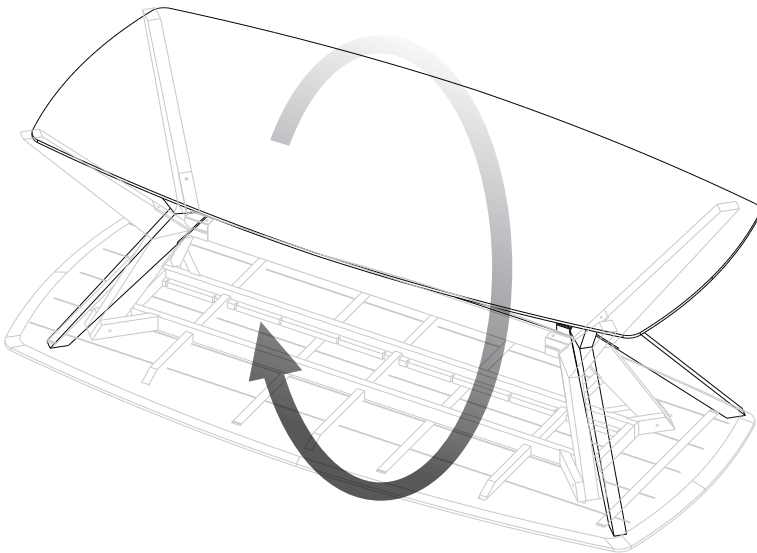
## Box Content

- a. Top Table 1 pc
- b. Legs 4 pcs
- c. Frame Legs 1 pc
- d. Legs support 2 pcs
- e. Bolt and rings M6x20mm : 8 pcs
- f. Bolt, ring and nut M6x80mm : 4 pcs
- g. Bolt, ring and nut M6x50mm : 2 pcs
- h. Tools 2 pcs





1. Install the legs into the table top like picture above and tighten with bolt ring and nut. Please make sure the code of bolt.



2. Rotate the table into its right positions.



3. Your coffee table is ready.