

# ASSEMBLING GUIDE

Dining Table

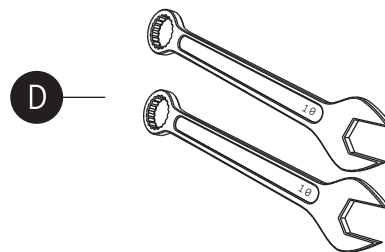
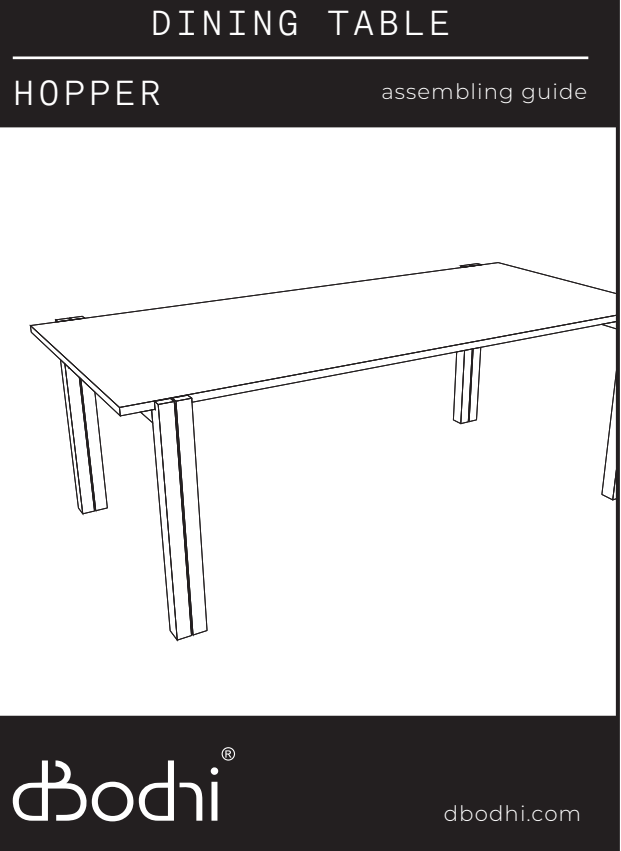
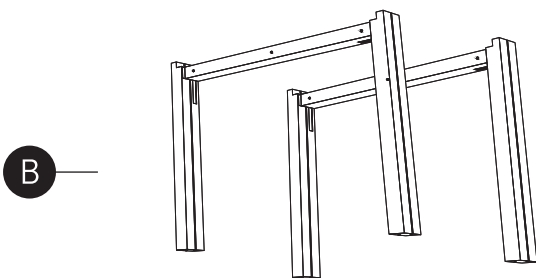
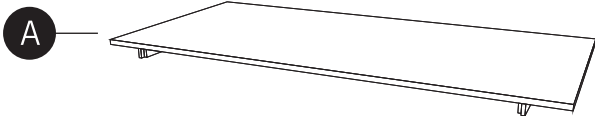


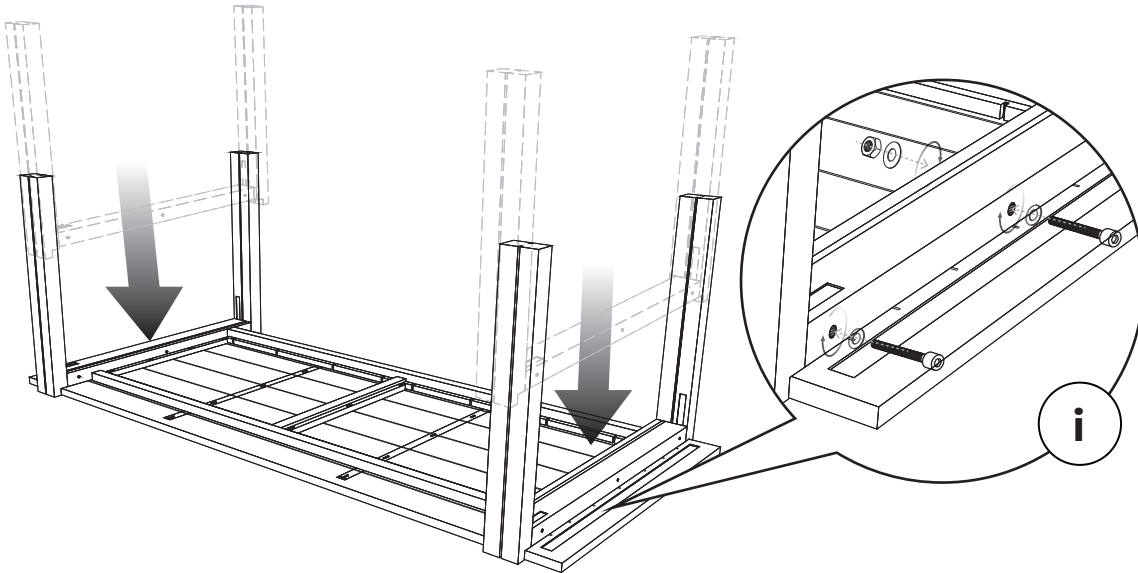
## Material used

- Wood : Finishing Not Polish
- Iron : -

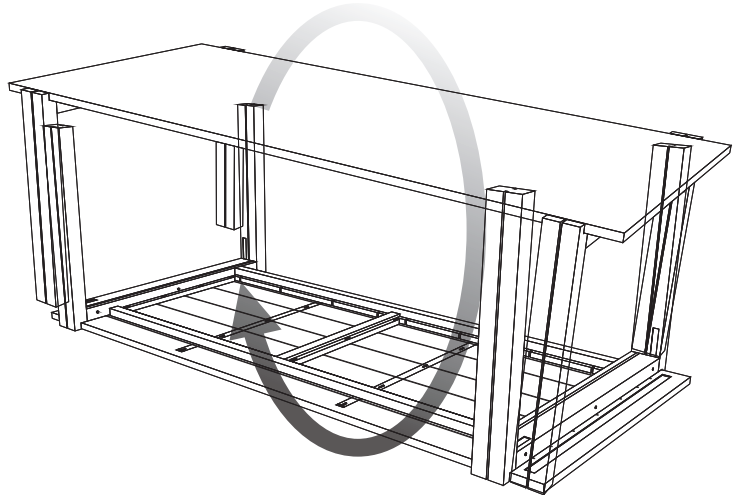
## Box Content

- a. Table top 1 pc
- b. Legs 2 pcs
- c. Bolt, rings and nut M6x110mm : 6 pcs
- d. Tools 2 pcs

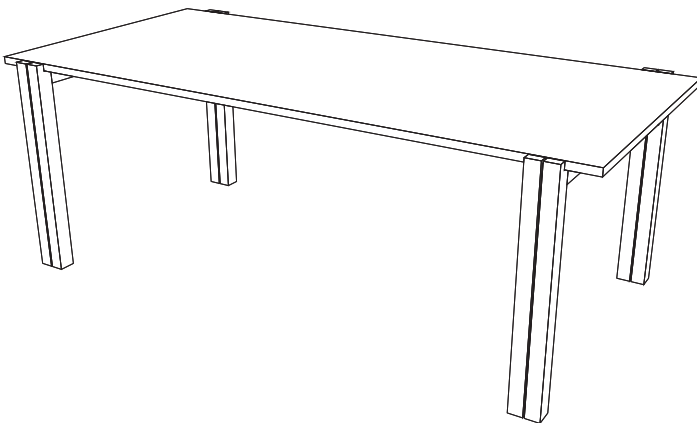




1. Install the frame legs as picture above and tighten with bolts, ring and nut as in detail (i)



2. Rotate the table into its right position as in picture above.



3. Your dining table is ready to use!