

ASSEMBLING GUIDE

Coffee Table

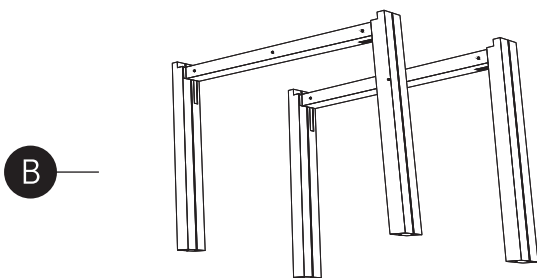
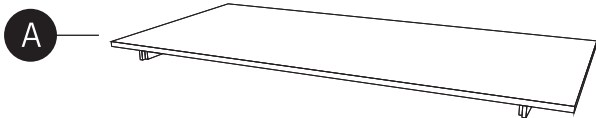


Material used

- Wood : Finishing Not Polish
- Iron : -

Box Content

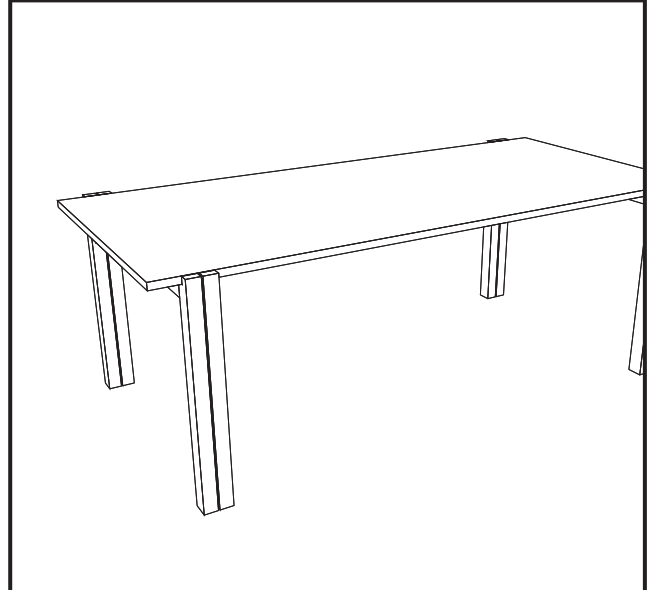
- a. Table top 1 pc
- b. Legs 2 pcs
- c. Bolt, rings and nut M6x90mm : 6 pcs
- d. Tools 2 pcs



COFFEE TABLE

HOPPER

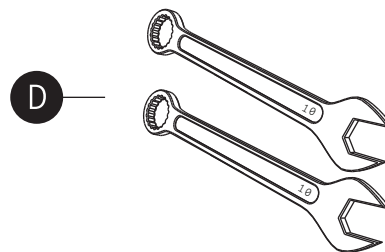
assembling guide

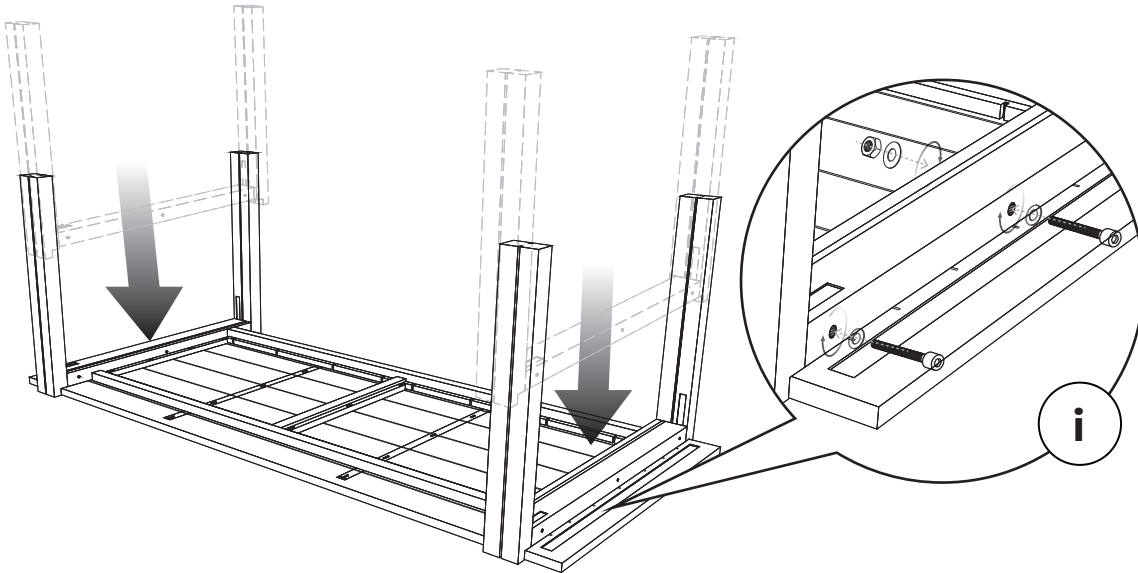


Bodhi[®]

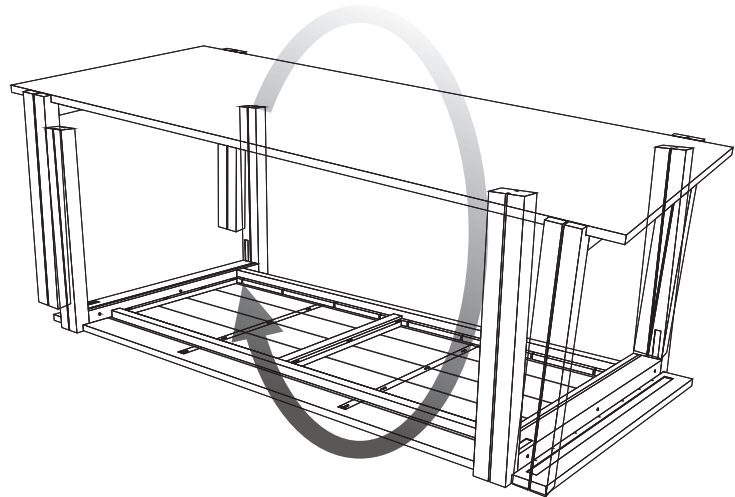
dbodhi.com

PERSON NEEDED

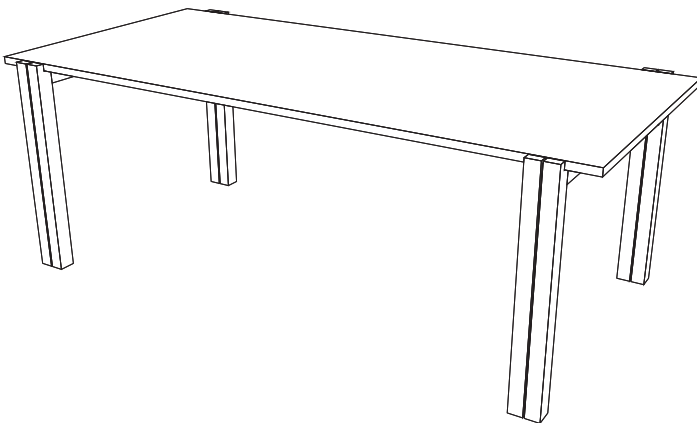




1. Install the frame legs as picture above and tighten with bolts, ring and nut as in detail (i)



2. Rotate the table into its right position as in picture above.



3. Your coffee table is ready to use!