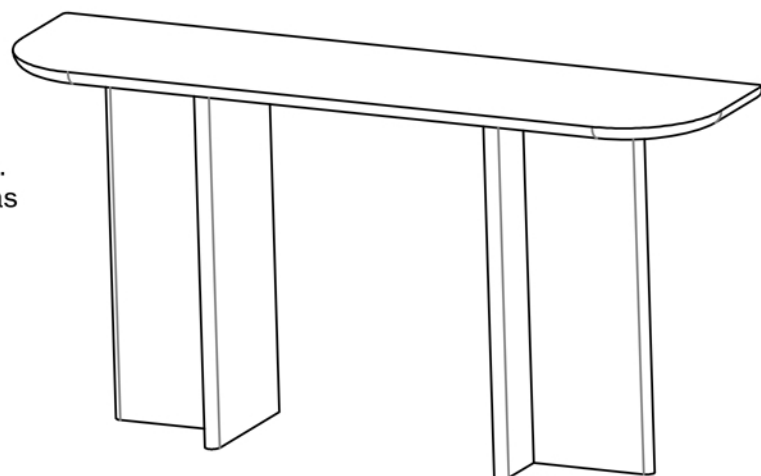


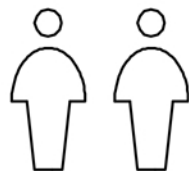
Hazel Console Table

Assembly Instructions:

Thank you for purchasing this Console Table. This page lists all the contents included in the box. Please take time to identify the hardware as well as the individual components of this product. As you unpack and prepare for assembly, place the contents on a carpeted or padded area to protect them from damage.



Assembly Requirements:



DO NOT USE
POWER TOOLS

Parts:



LEFT



RIGHT

(A) TABLE TOP = 1 PC

(B) LEG = 2 PCS

Fittings:



(C) ALLEN KEY = 1PC



(D) MACHINE SCREW = 8 PCS

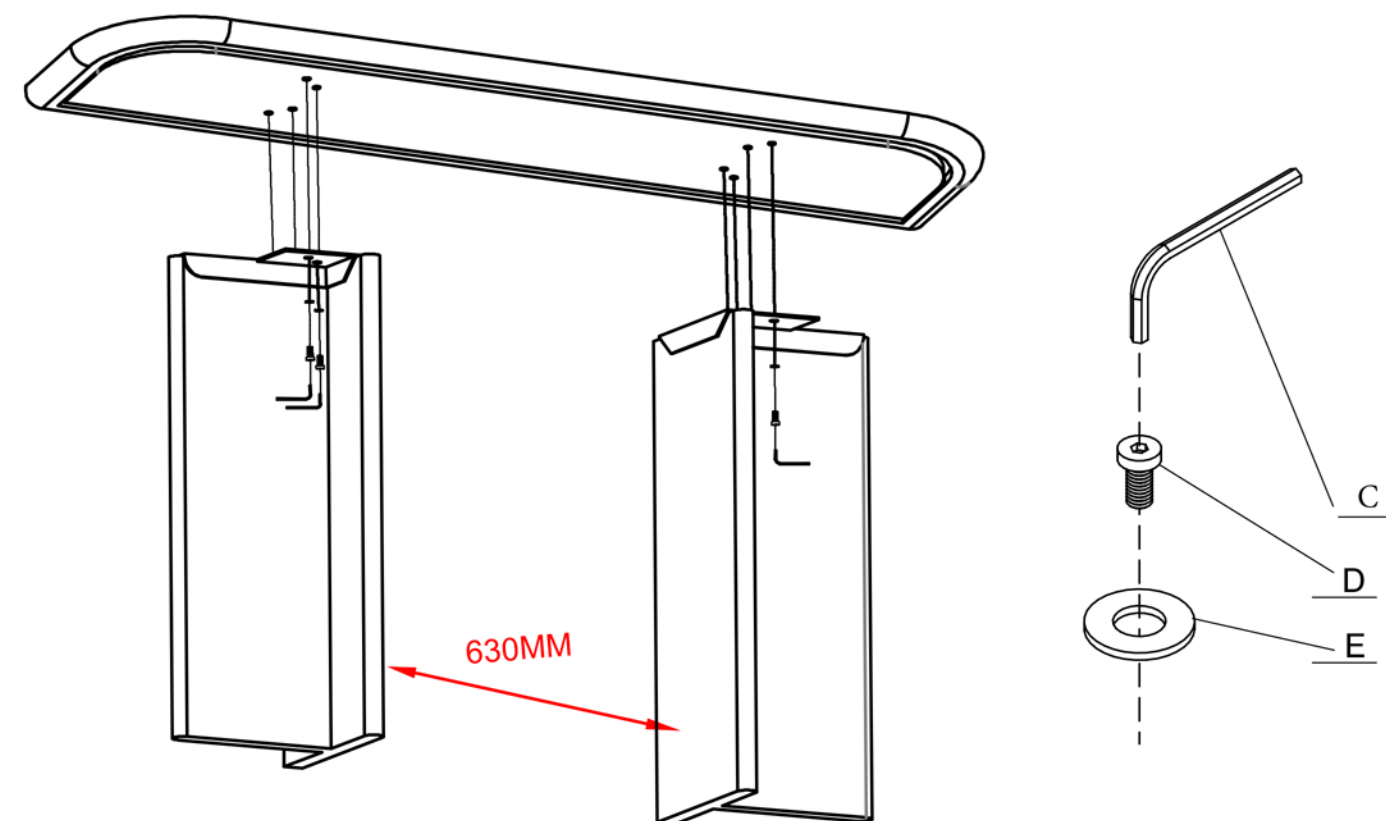


(E) WASHER = 8 PCS



Hazel Console Table

Step 1



Please adjust the distance between the table feet to 630mm before installing.

Step 2

