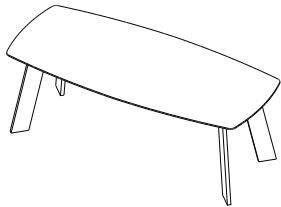


ASSEMBLING GUIDE

Dining Table

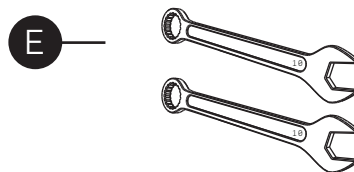
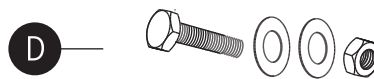
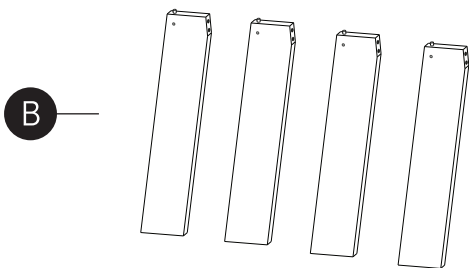
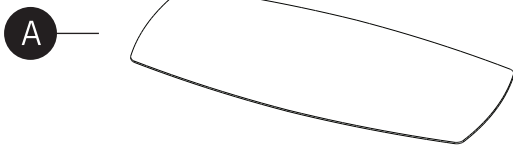


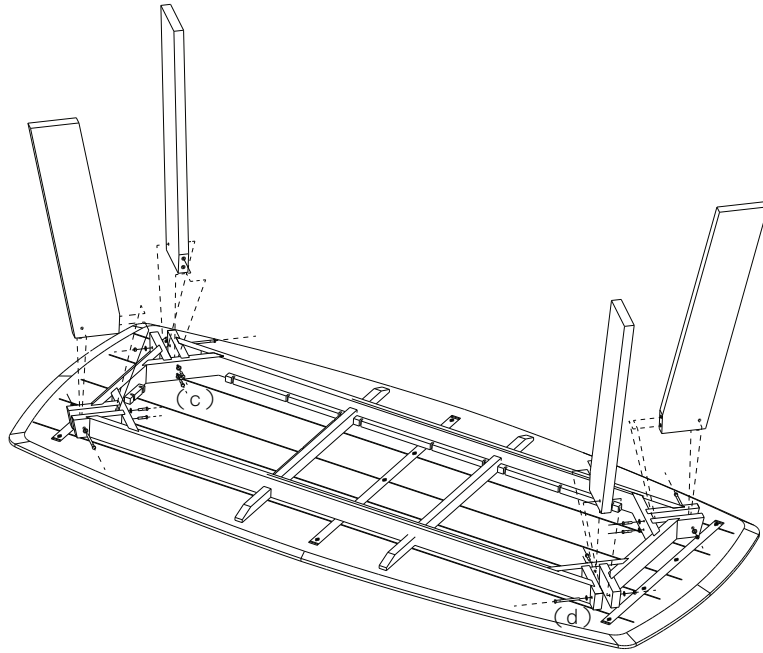
Material used

- Wood : Finishing Not Polish
- Iron : Black

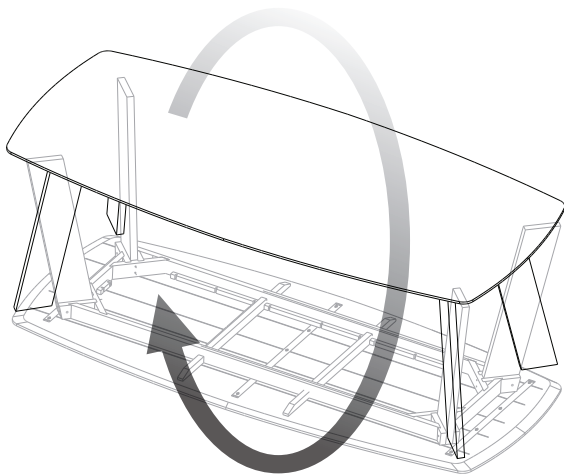
Box Content

- a. Top Table 1 pc
- b. Legs 4 pcs
- c. Bolt and ring M6x40mm : 8 pcs
- d. Bolt, ring and nut M6x90mm : 4 pcs
- e. Tools 2 pcs

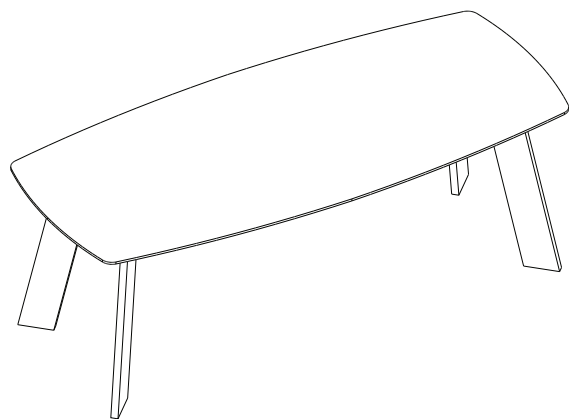




1. Install the legs into the table top like picture above and tighten with bolt, ring and nut. Please make sure the code of bolt.



2. Rotate the table into its right positions.



2. Your dining table is ready.