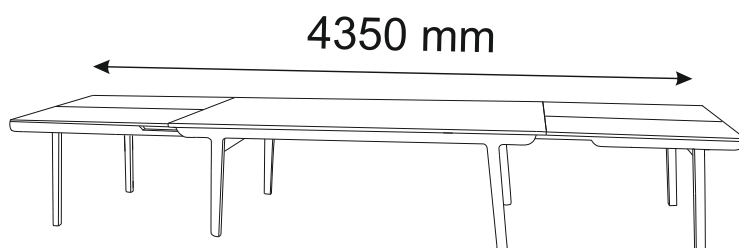
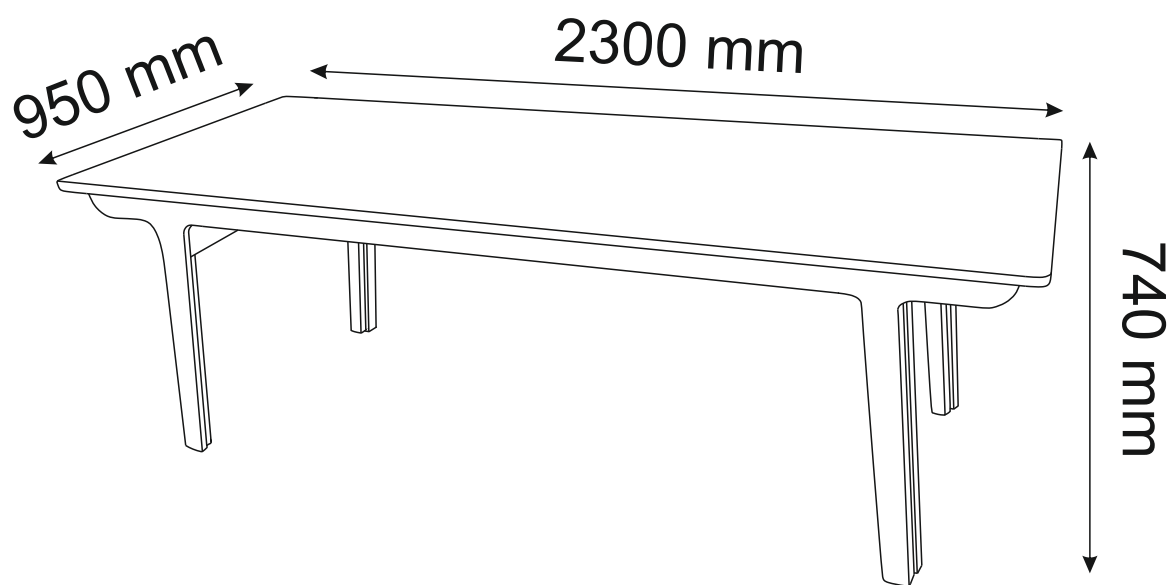

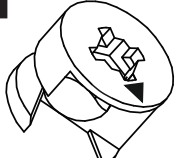
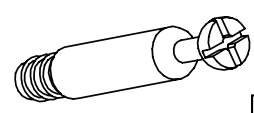
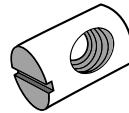

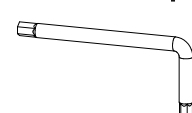


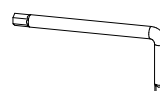


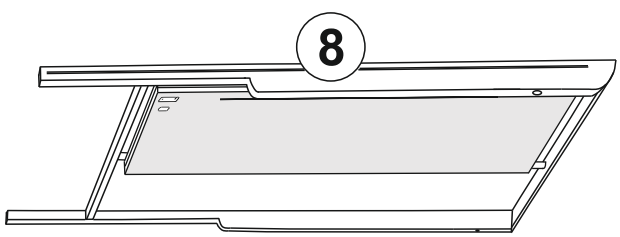
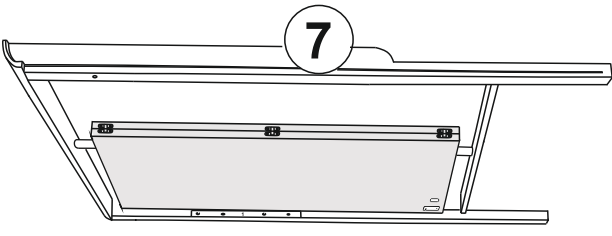
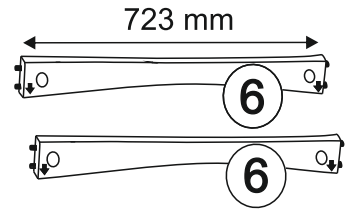
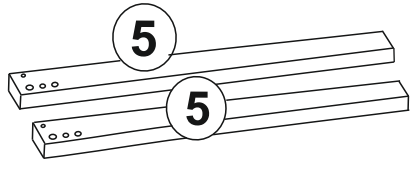
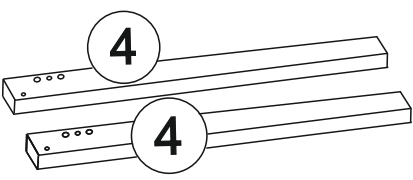
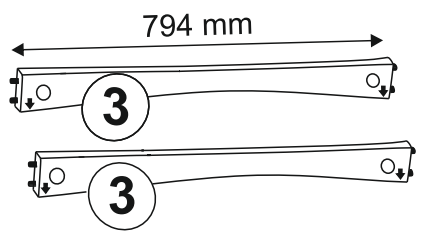
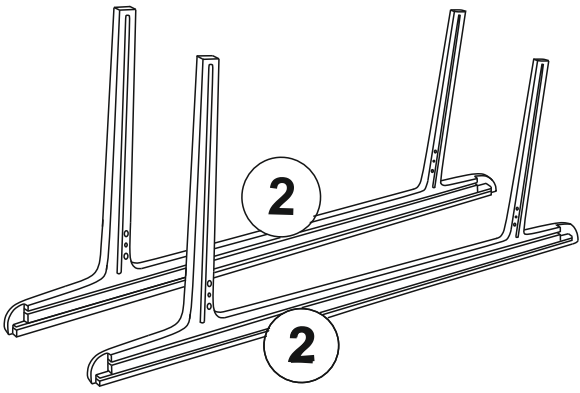
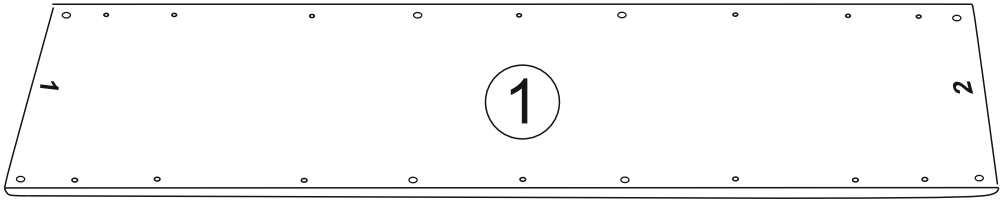


# Fifty

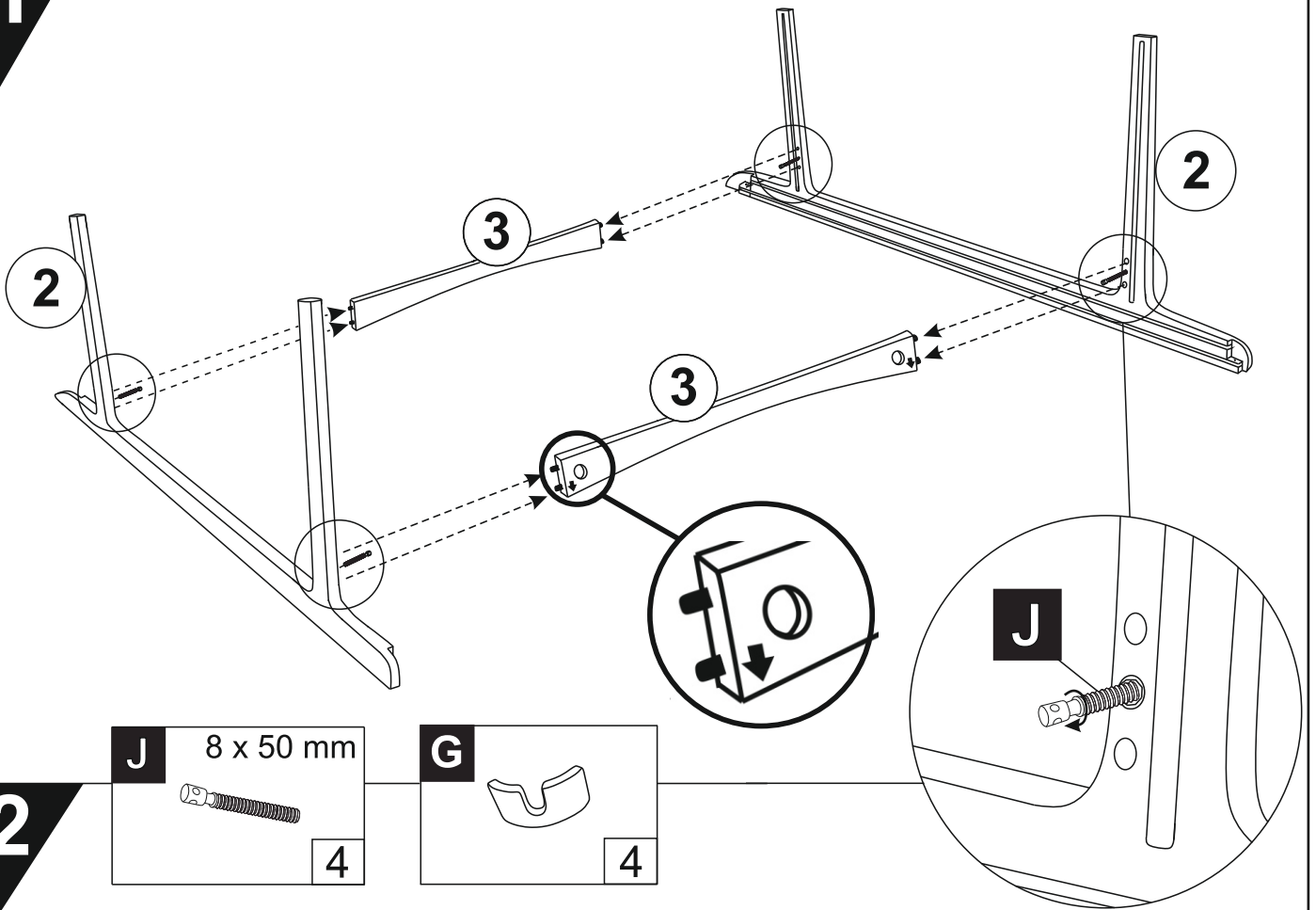


**PBJ**  
Furniture since 1968

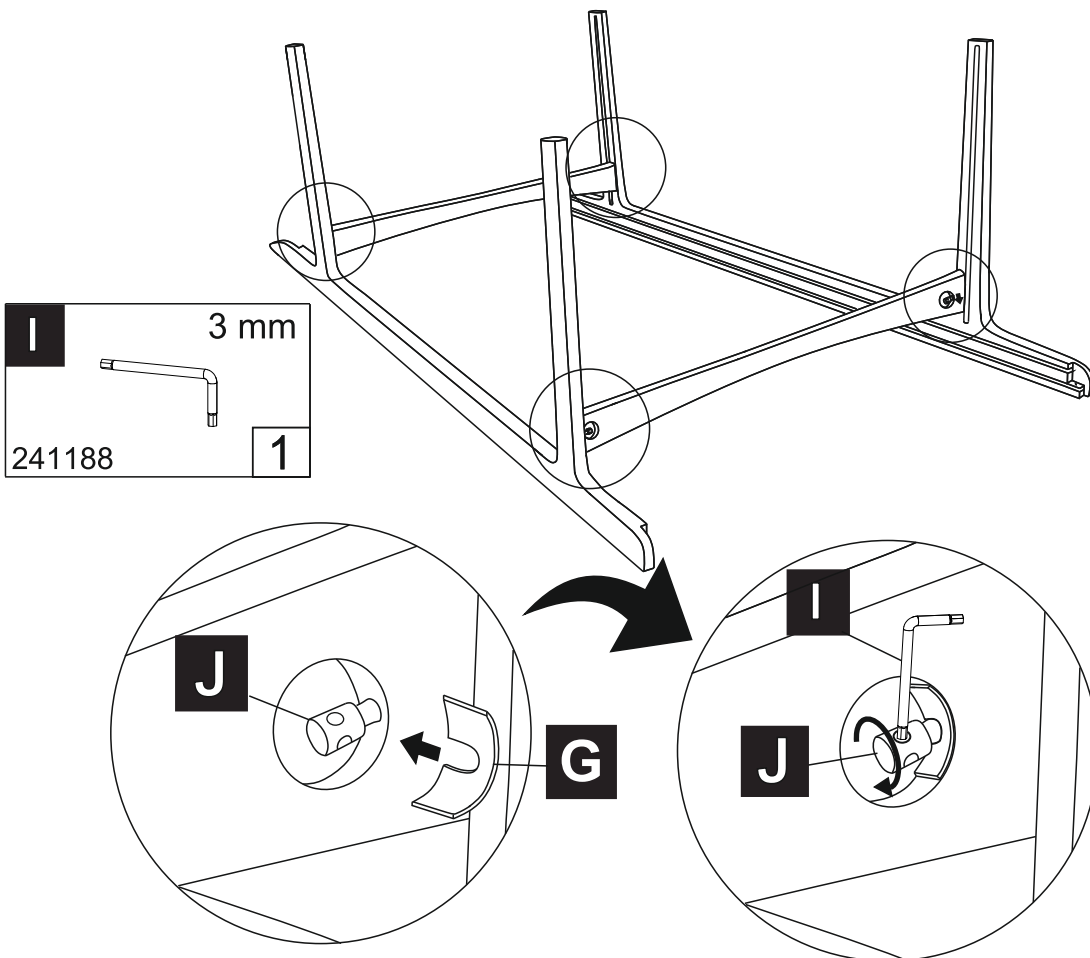
<b>A</b> 8 x 35 mm  319609 <b>8</b>	<b>B</b> 15 mm  262.26.333 <b>14</b>	<b>C</b> 7 x 47 mm  262.28.928 <b>14</b>	<b>D</b> $\varnothing 10 \times L13$  <b>4</b>
<b>E</b> M6 x 100 mm  B.1.60.1000.4 <b>4</b>	<b>F</b> 4 mm  241182 <b>1</b>	<b>G</b>  <b>8</b>	<b>H</b> 8 x 64 mm  <b>4</b>
<b>I</b> 3 mm  241188 <b>1</b>	<b>J</b> 8 x 50 mm  <b>8</b>	<b>K</b> 4 mm  241189 <b>1</b>	



1

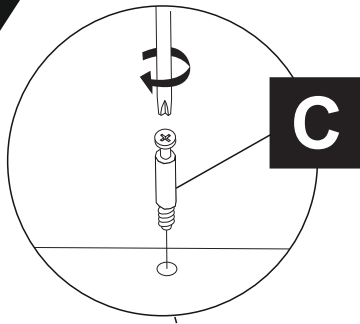


2



3

3

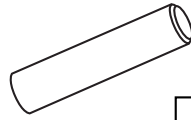


A

8 x 35 mm

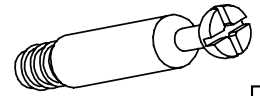
C

7 x 47 mm



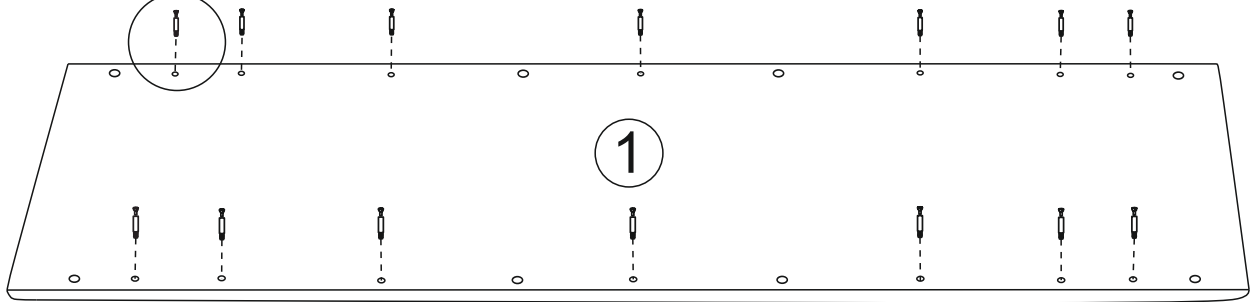
319609

8

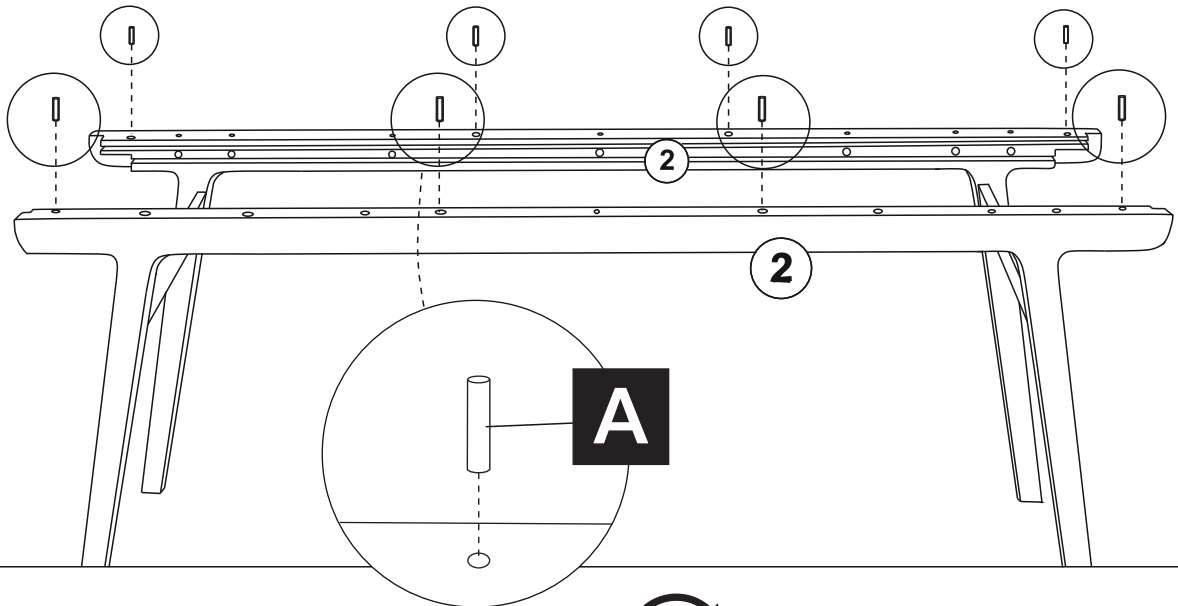


262.28.928

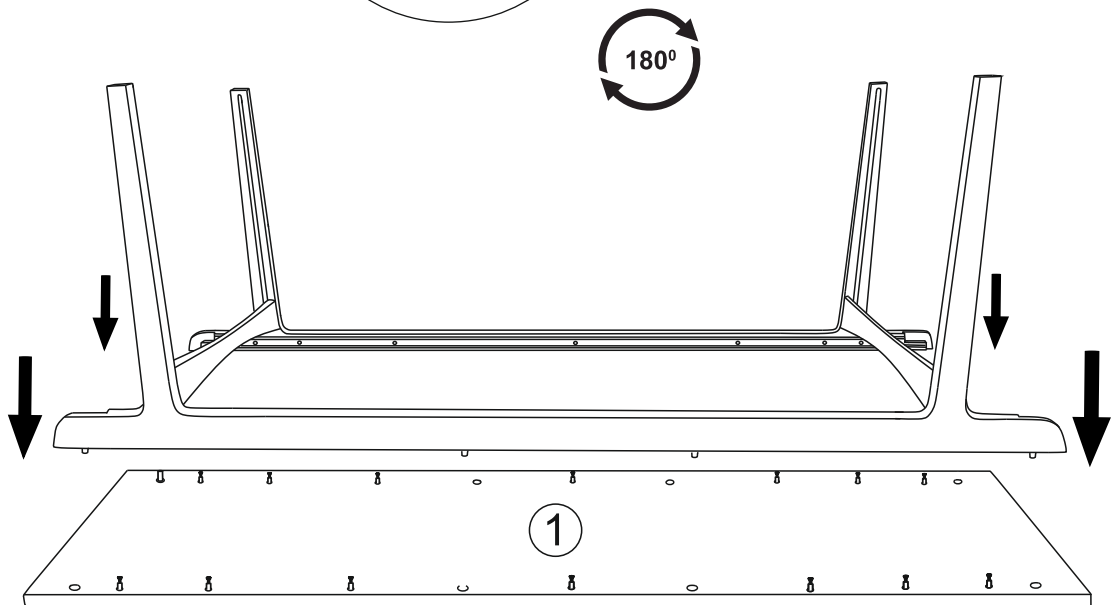
14



4

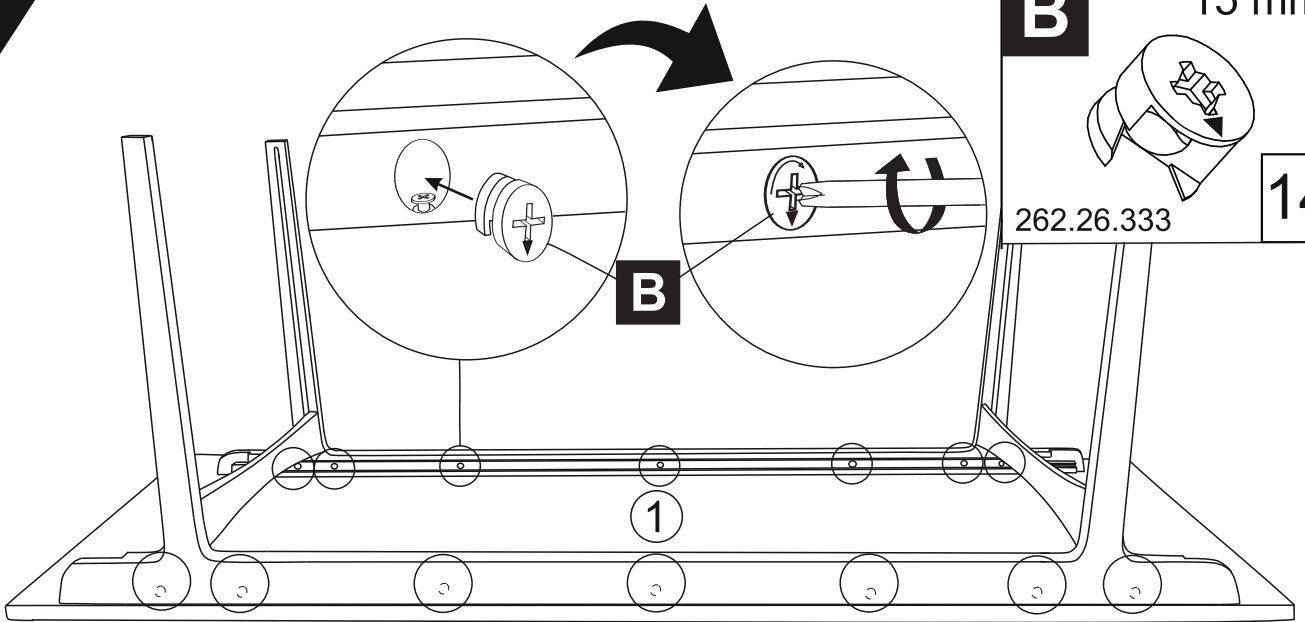


5



4

6



B

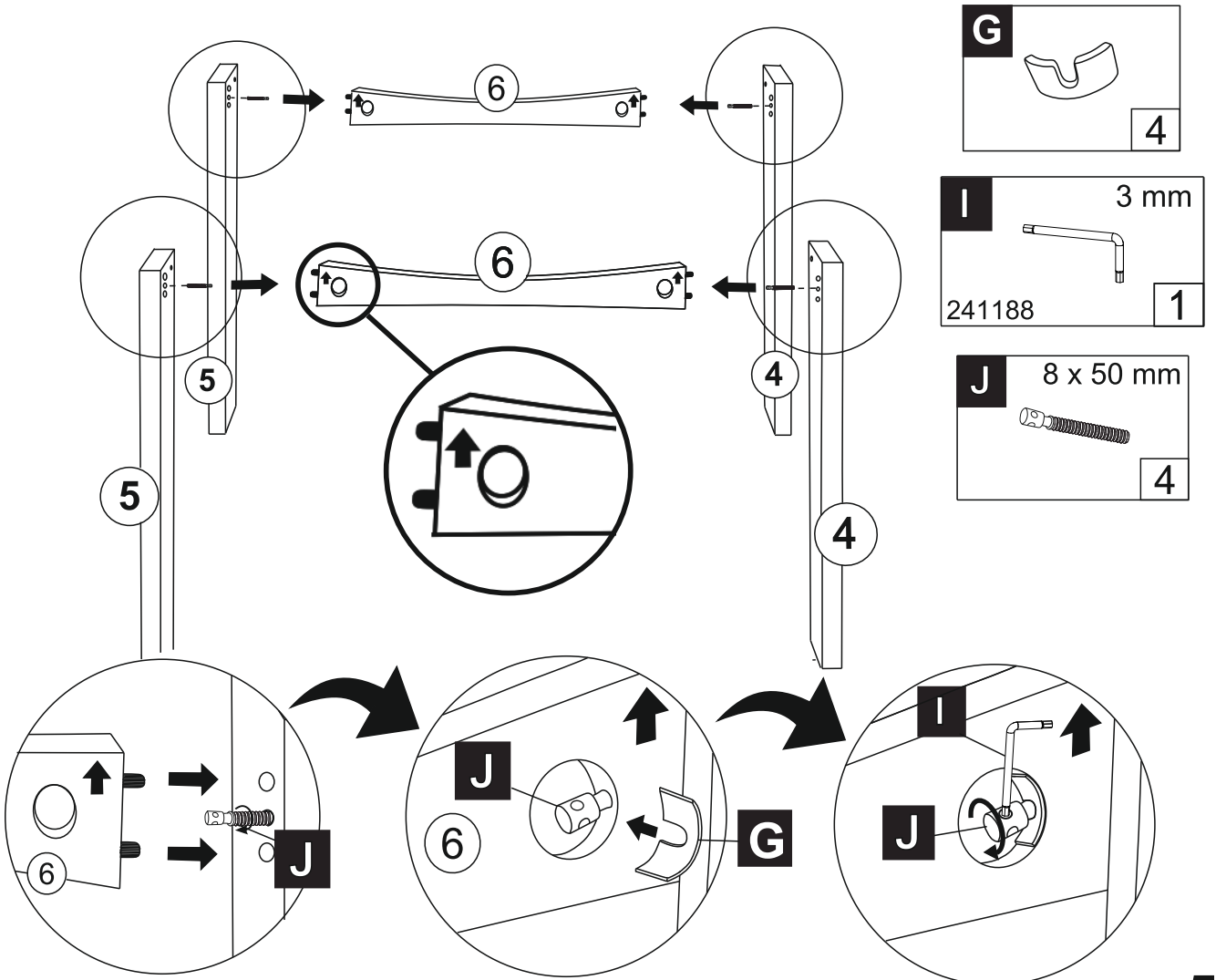
15 mm

262.26.333

14

1

7



G

4

I

3 mm

241188

1

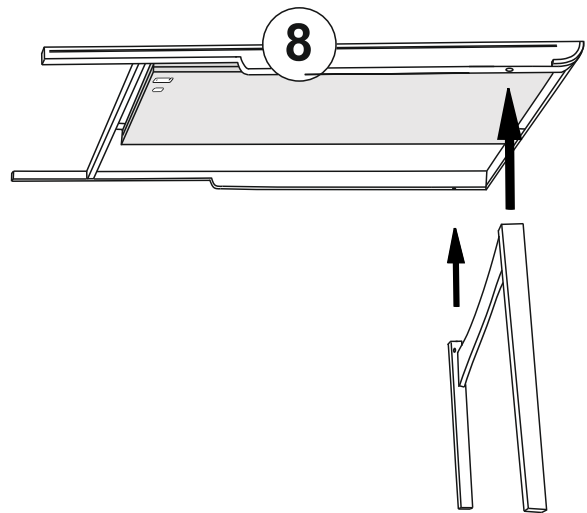
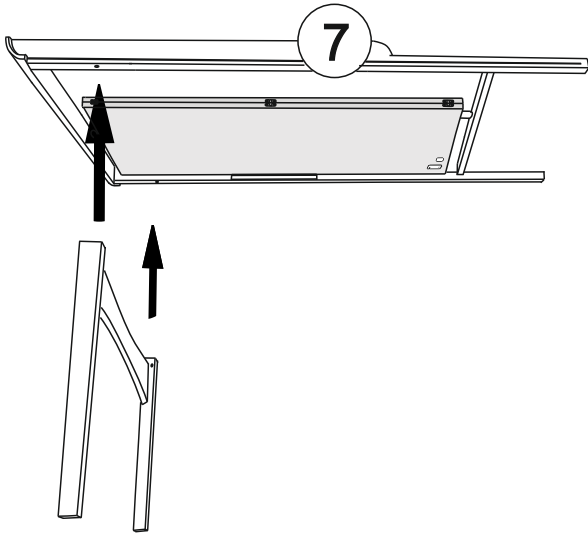
J

8 x 50 mm

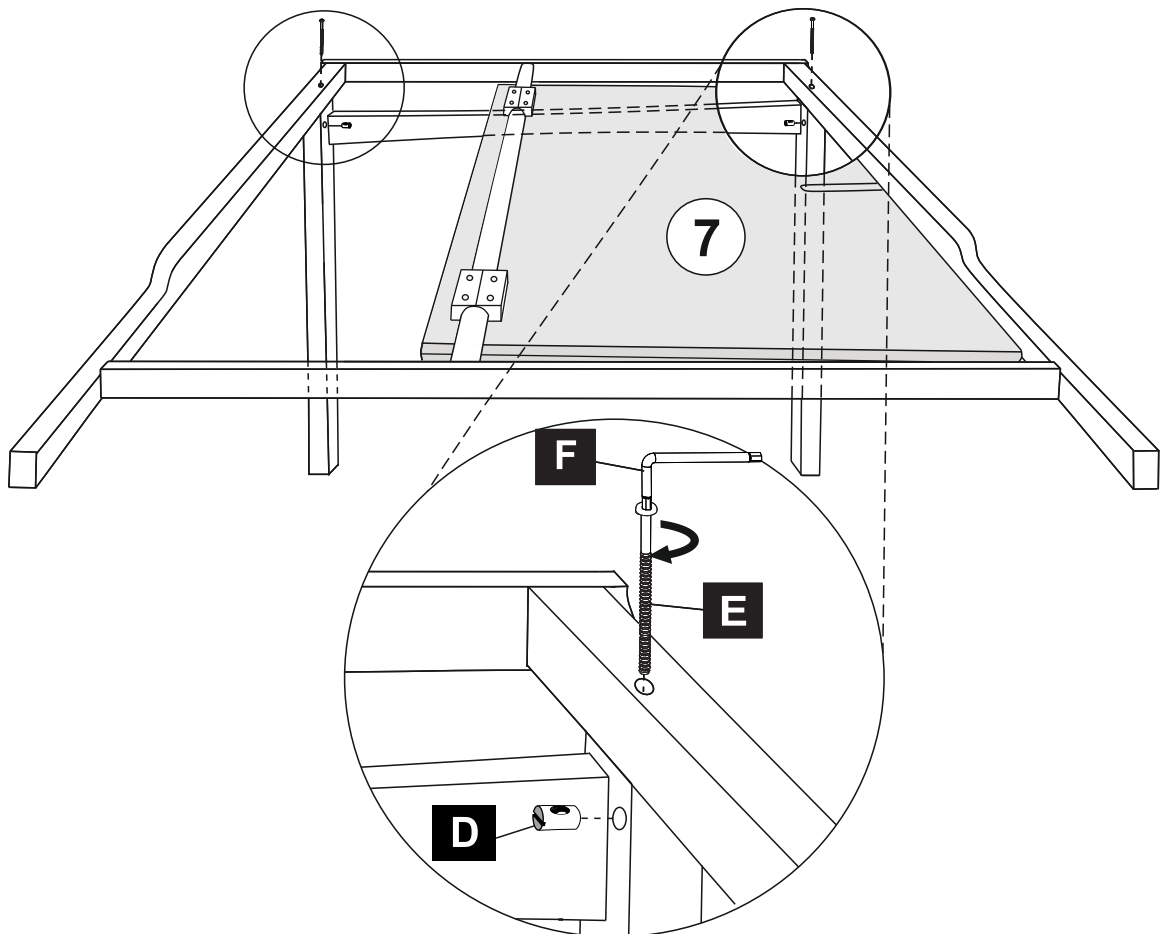
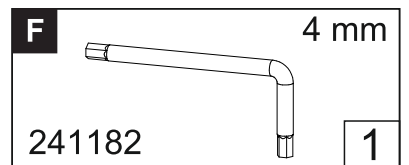
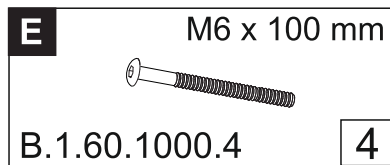
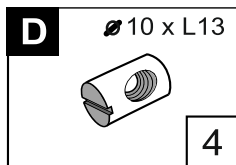
4

5

8

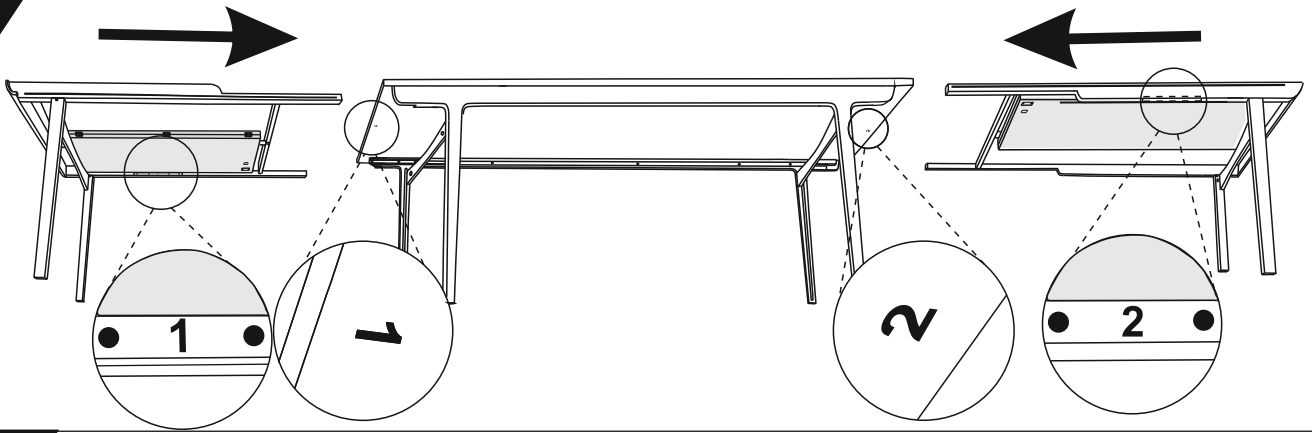


9

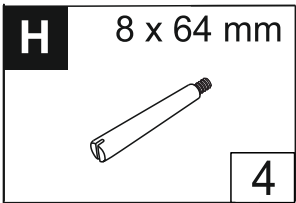
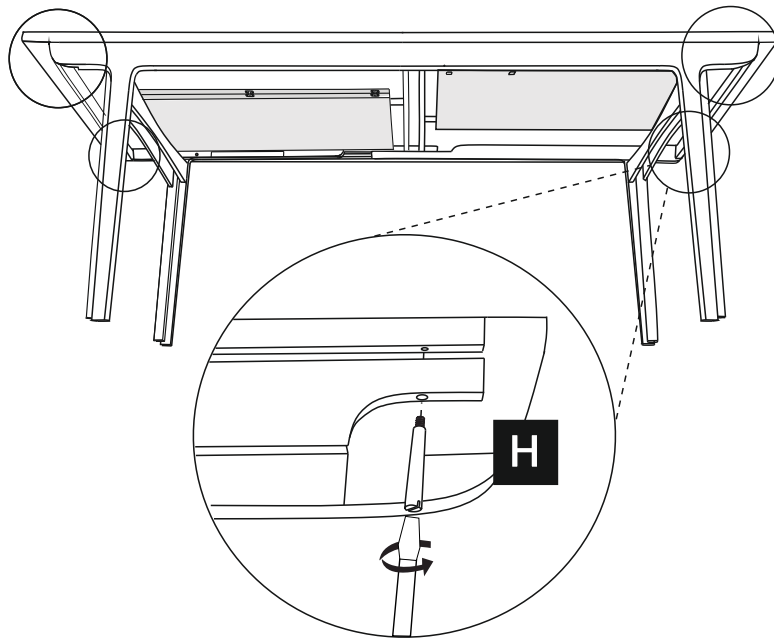


6

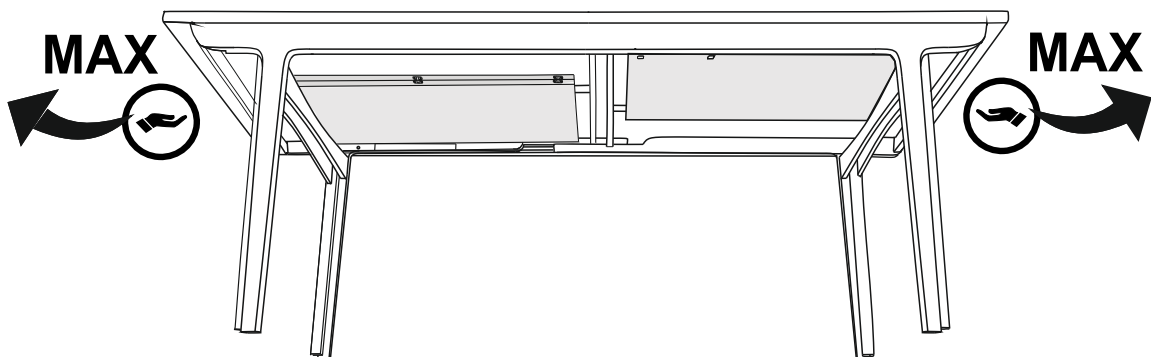
10



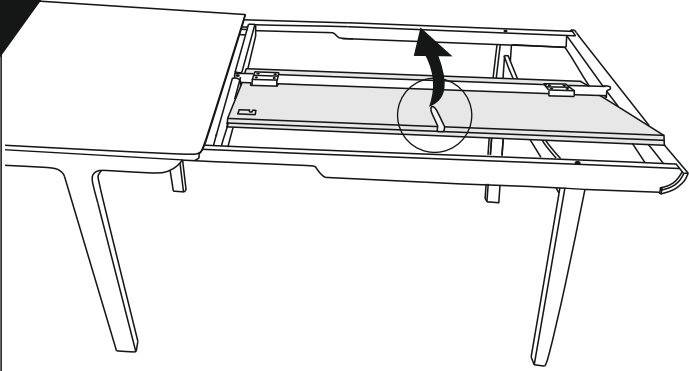
11



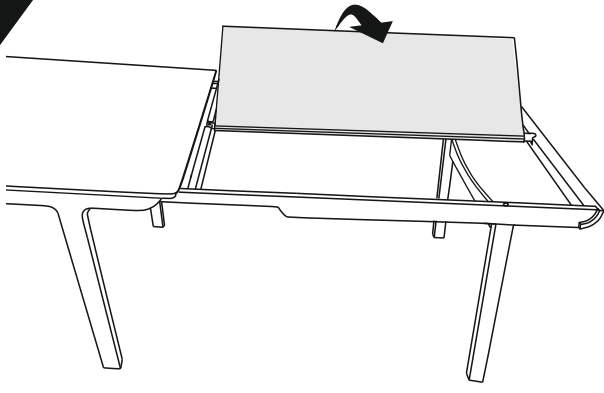
12



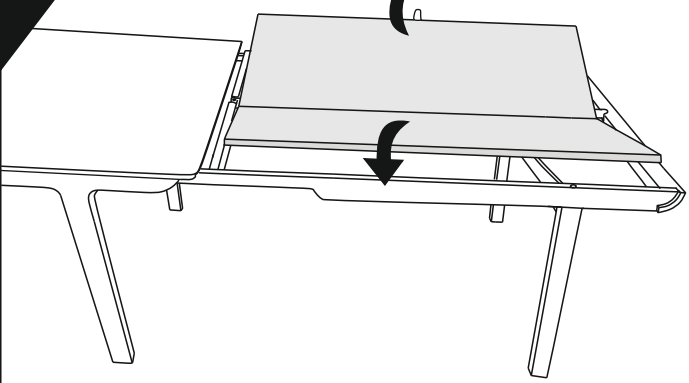
13



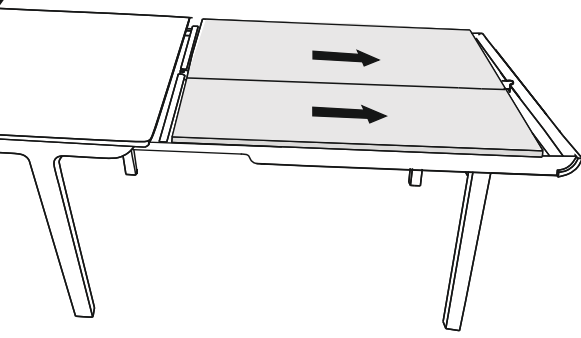
14



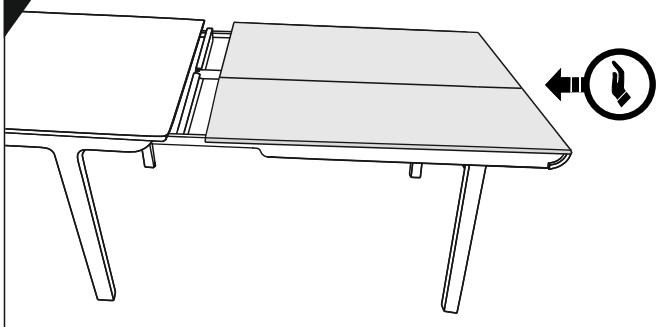
15



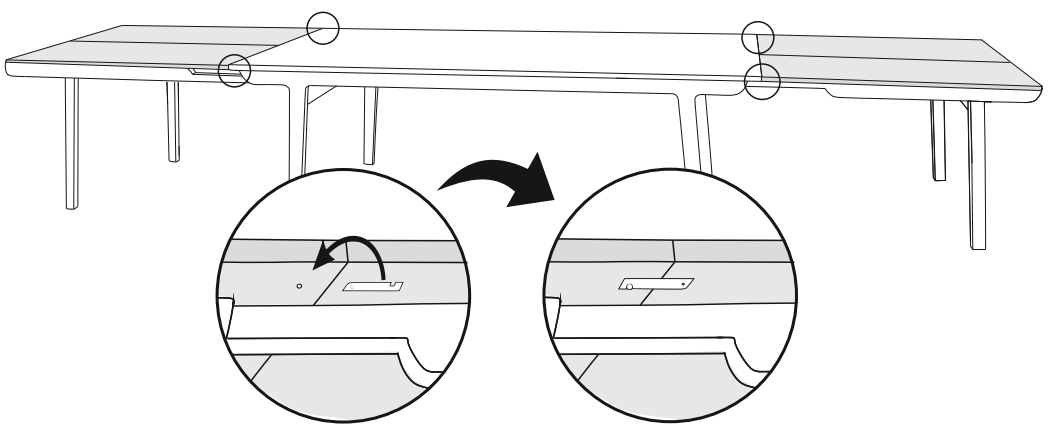
16



17



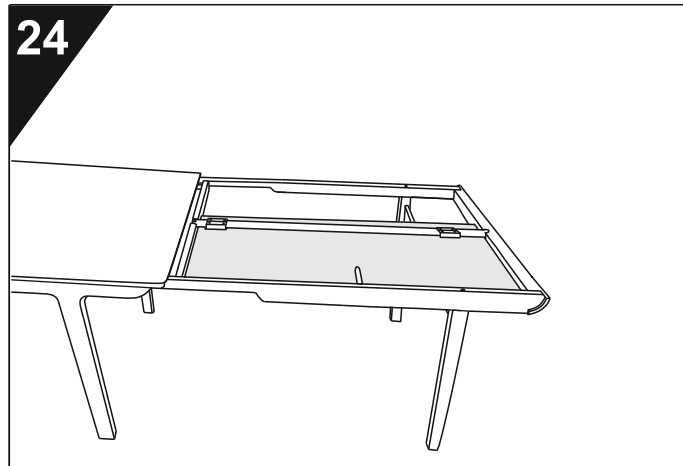
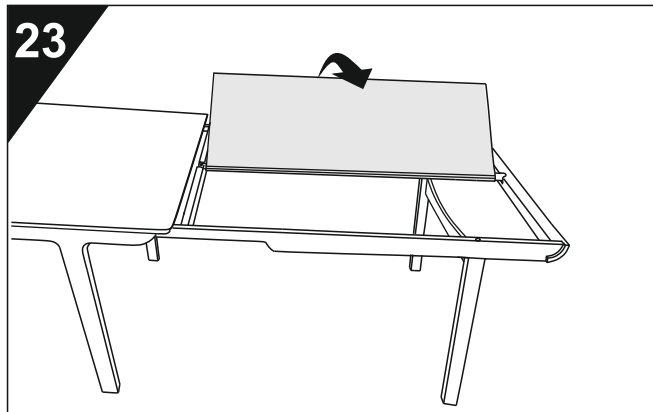
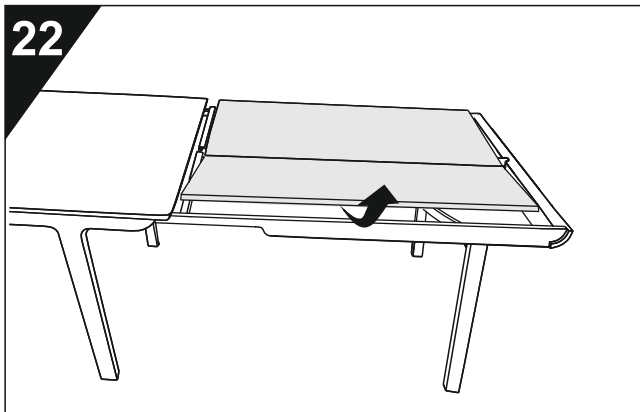
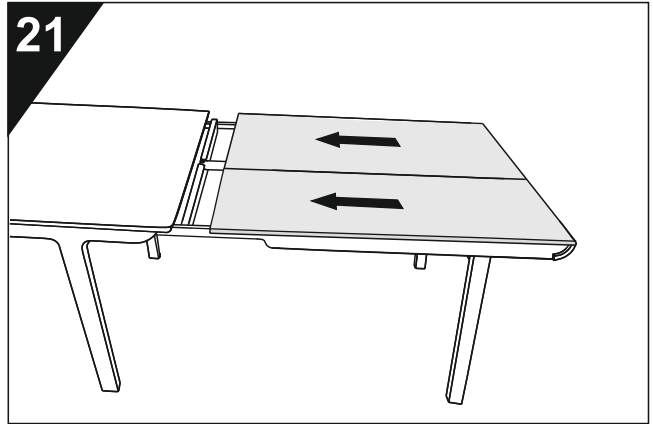
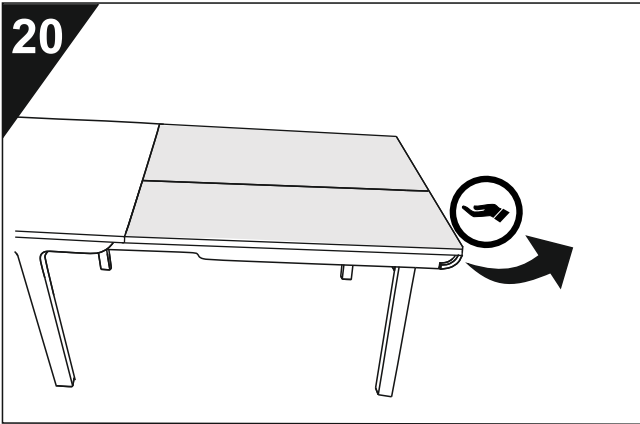
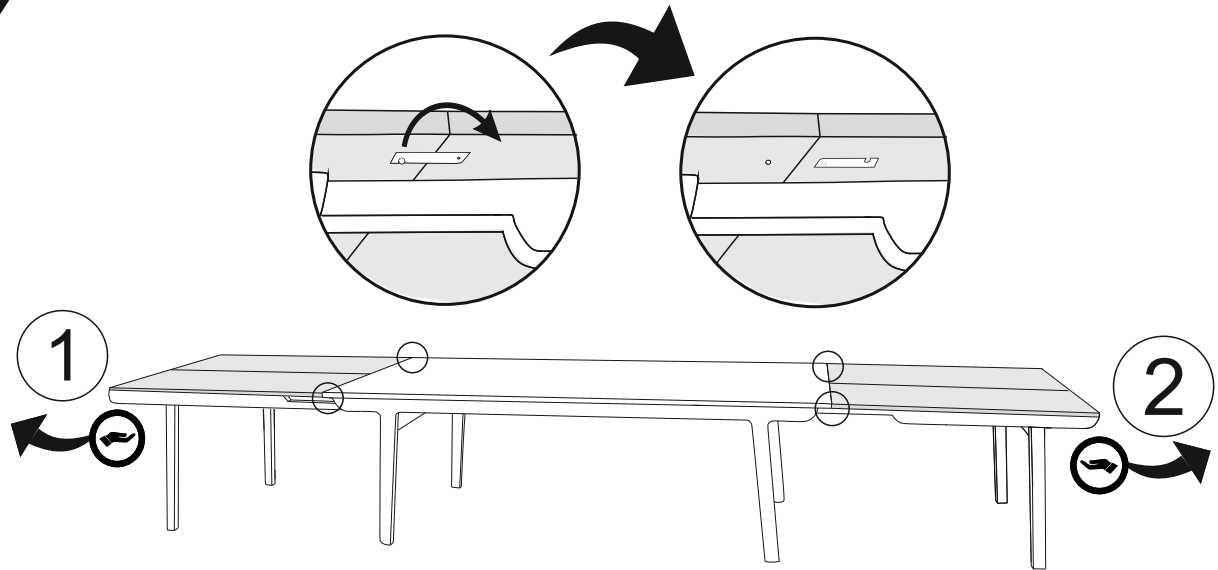
18



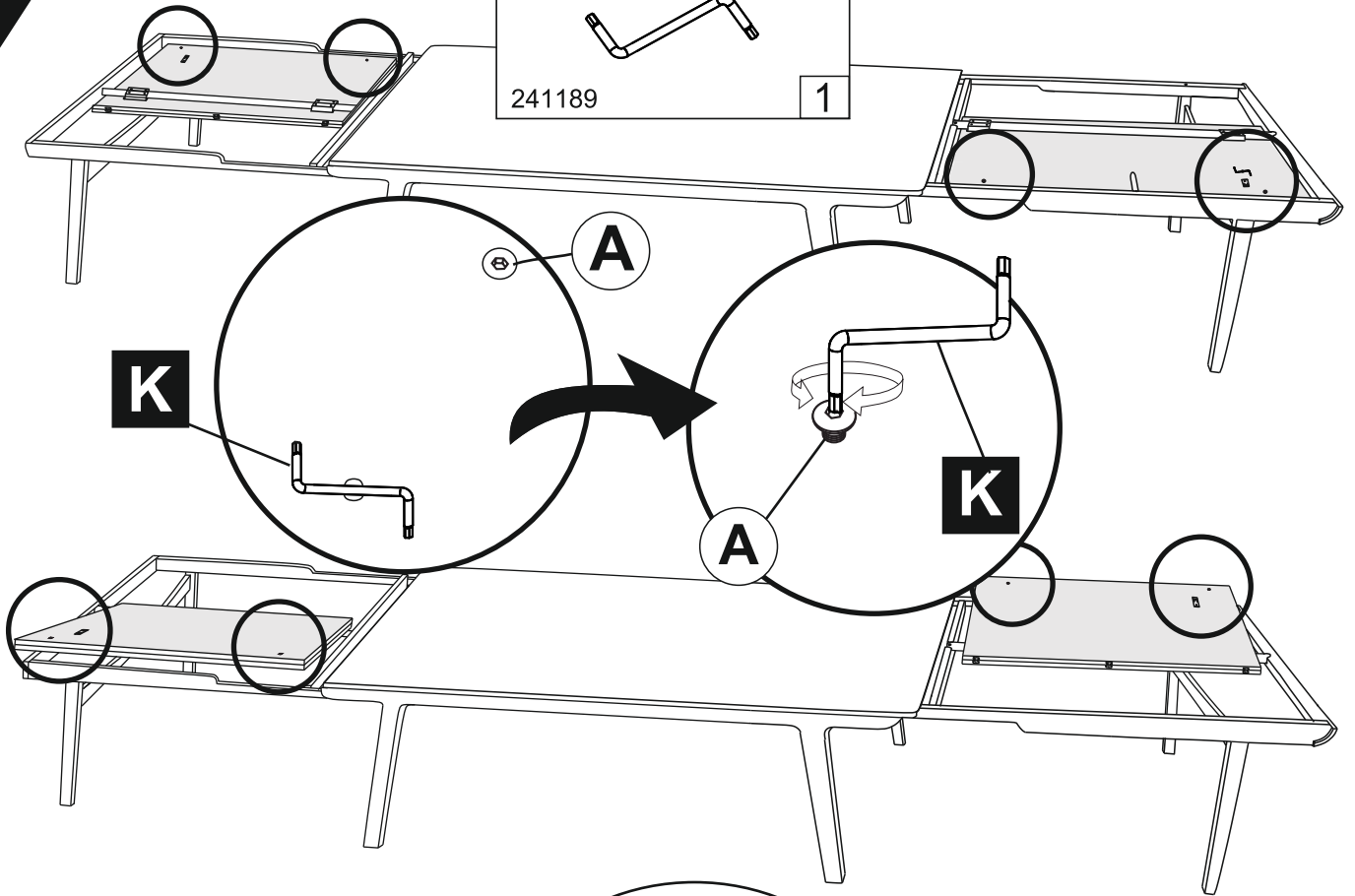
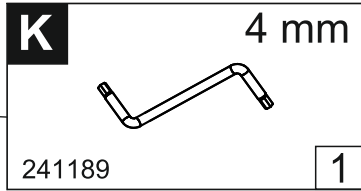
8



19



25



26

