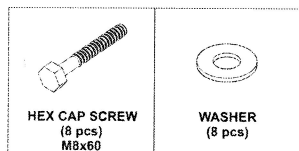


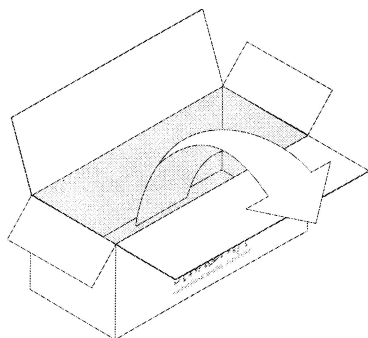
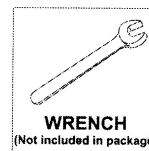
# Ethnicraft

## BOK DINING TABLE ASSEMBLY INSTRUCTION FOR DINING TABLE INSTALLATION

### HARDWARE



### TOOL

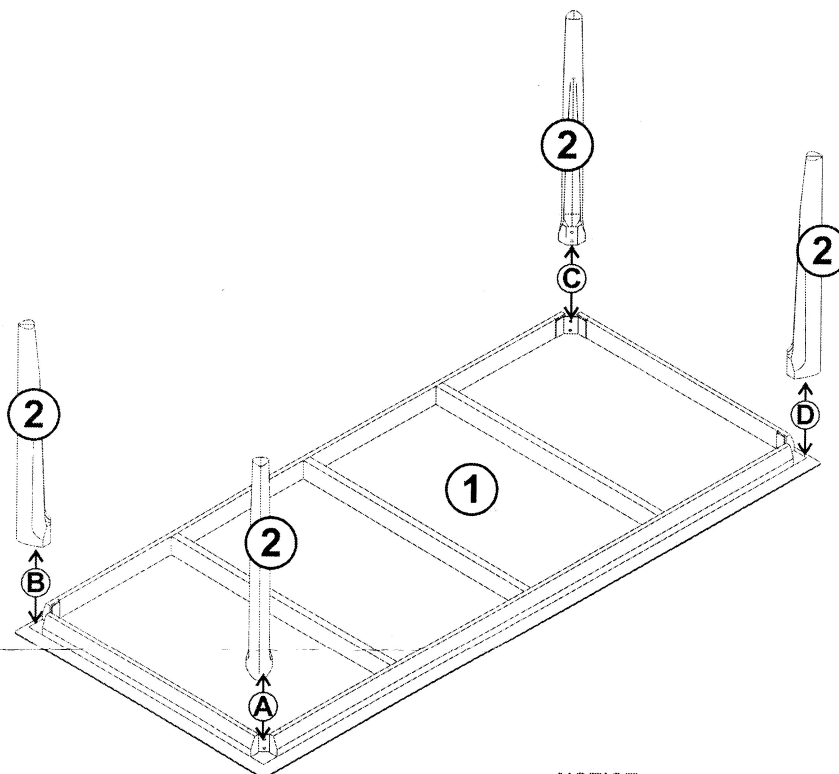


### IN YOUR PACKAGE :

ASSEMBLY INSTRUCTION  
HARDWARE ( AS LISTED ABOVE)

### PARTS TO BE INSTALLED

1. TABLE TOP 1 pcs
2. LEGS 4 pcs

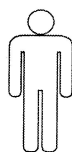


**i** LEGS ARE NOT INTERCHANGEABLE

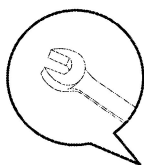
### SYMBOLS



DIRECTION

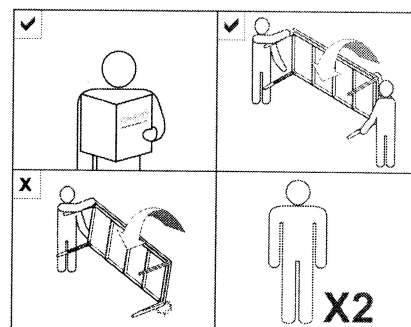


NUMBER OF  
PERSONS NEEDED

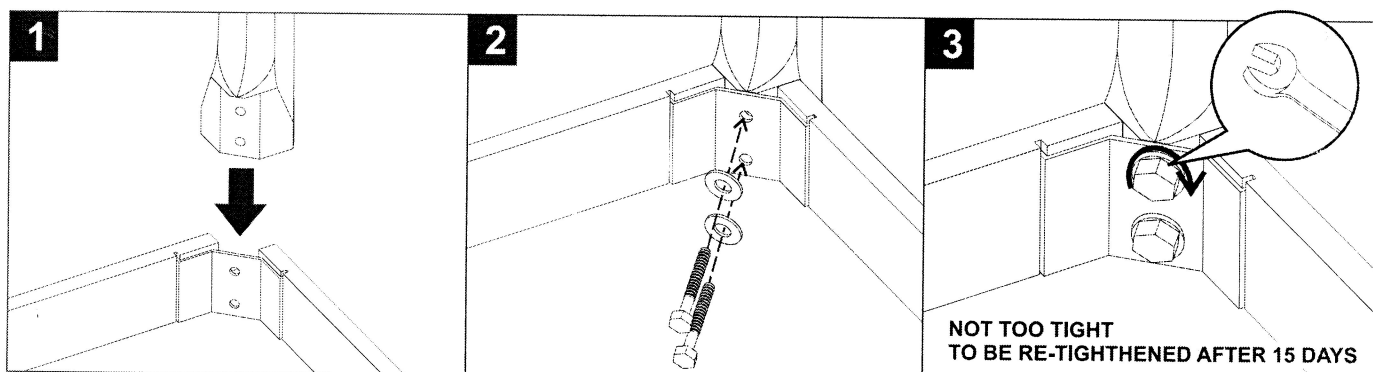


USE WRENCH  
TO TIGHTEN

### NOTICE



### CONNECTING THE LEGS AND THE TABLE TOP



REPEAT STEP 1 TO STEP 3 FOR OTHER LEGS