

Espen Sofa



Sink into superior style and comfort with the Espen Series. Its modern design is perfect for any chic living space, and its plush upholstery ensures maximum relaxation. Featuring rich aluminium legs and luxurious cushioning, it's the perfect piece to add a timeless elegance to your lounge room or reading nook.

Material Details:

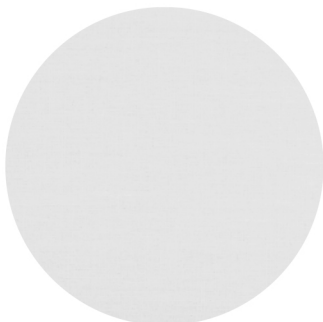
Construction: Zigzag spring and rubber webbing suspension,
Northeast Larch Wood & Plywood
Filling: High-density foam with polyester fiber and feather
Aluminium alloy legs

Warranty:

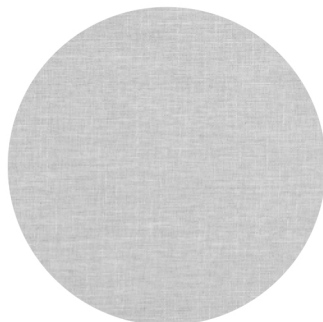
5 Years Structural Warranty

Fabrics Details:

Fixed Cover
Fabric Composition: 18% Polyester, 57% Viscose, 15% Cotton, 10% Linen



Carson Cloud



Carson Storm

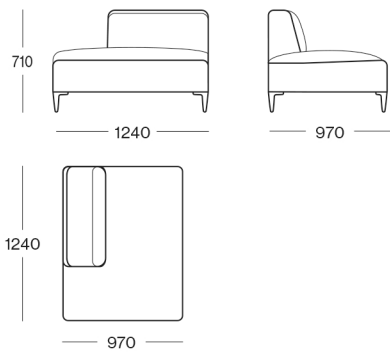
trit

Social @trit.house

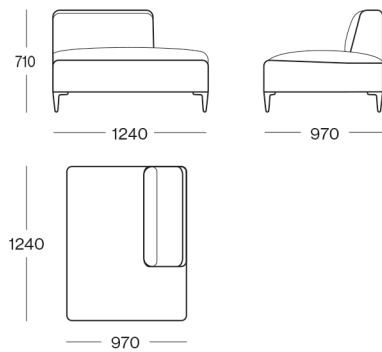
Website www.trithouse.com.au

Espen Modular Sofa

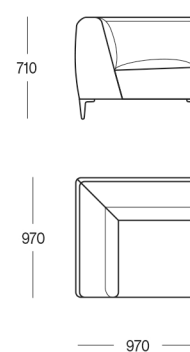
Espen Open End LHF
Open End



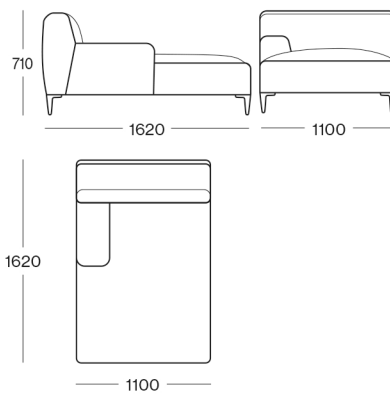
Espen Open End RHF
Open End



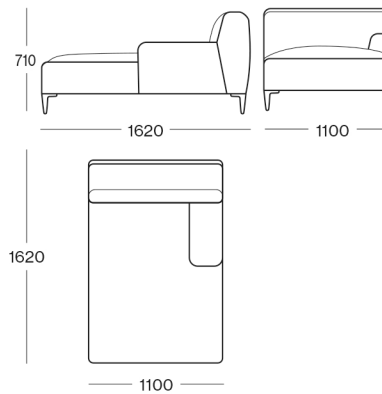
Espen Corner Seater Sofa
Square Corner



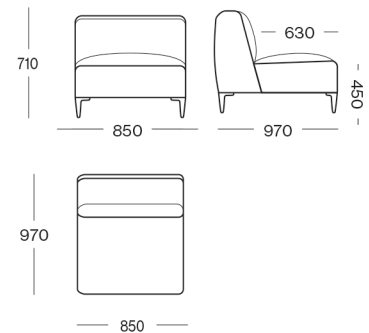
Espen Chaise LHF
Chaise 1 Arm



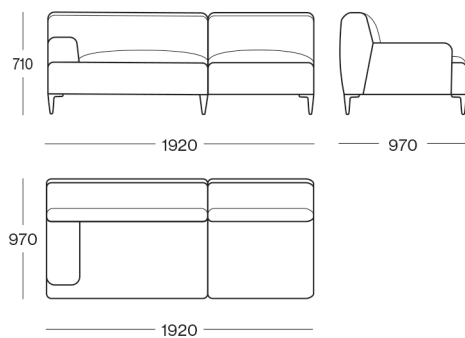
Espen Chaise RHF
Chaise 1 Arm



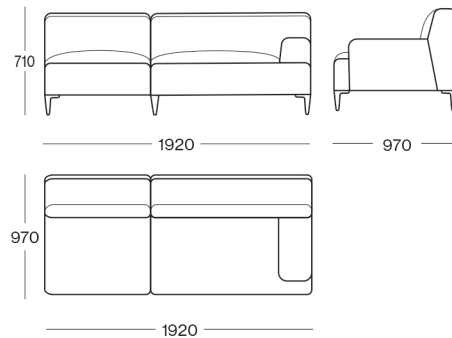
Espen 1 Seater No Arm Sofa
1 Seater



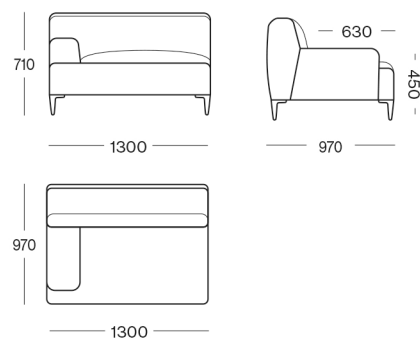
Espen 2.5 Seater 1 Arm LHF
2.5 Seater 1 Arm



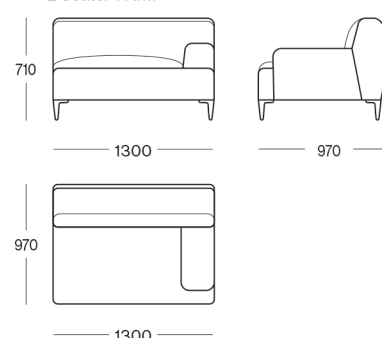
Espen 2.5 Seater 1 Arm RHF
2.5 Seater 1 Arm



Espen 2 Seater 1 Arm LHF
2 Seater 1 Arm



Espen 2 Seater 1 Arm RHF
2 Seater 1 Arm



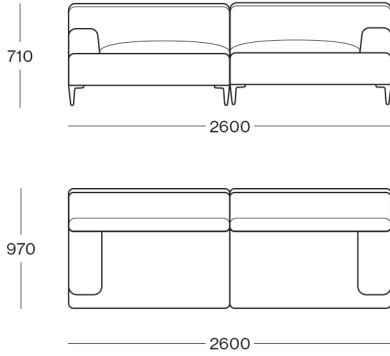
trit

Social @trit.house
Website www.trithouse.com.au

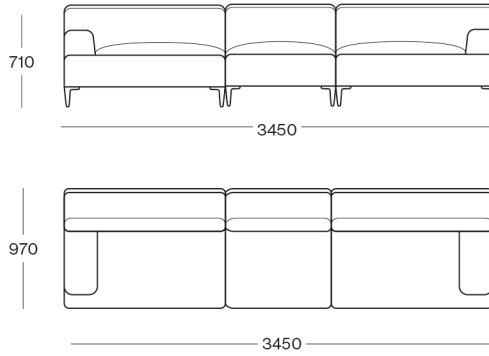
Espen Sofa

Dimensions(mm)

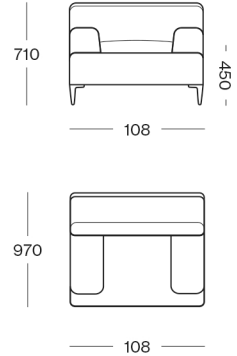
Espen 4 Seater Sofa



Espen 5 Seater Sofa



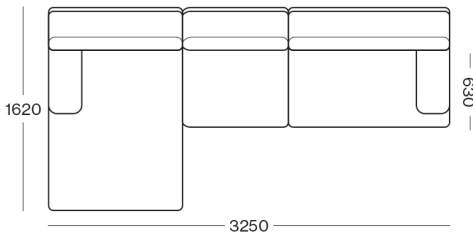
Espen Lounge Chair



Espen Modular Configurations

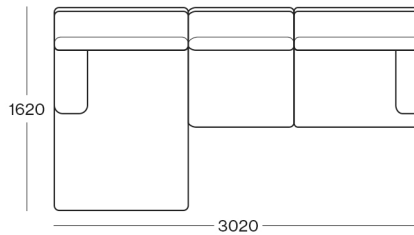
Configuration 1

Espen Large L Shaped Sofa
Chaise + 1 Seater + 2 Seater



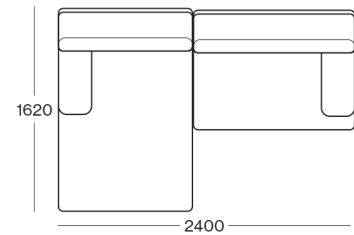
Configuration 2

Espen Medium L Shaped Sofa
Chaise + 2.5 Seater



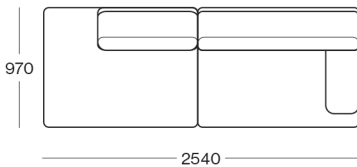
Configuration 3

Espen Small L Shaped Sofa
Chaise + 2 Seater



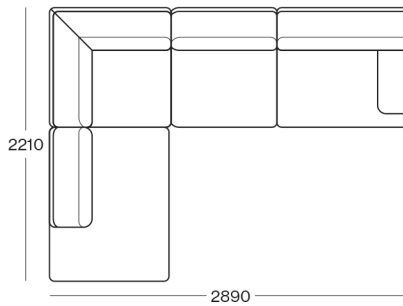
Configuration 4

Espen Open End Sofa
Open End + 2 Seater



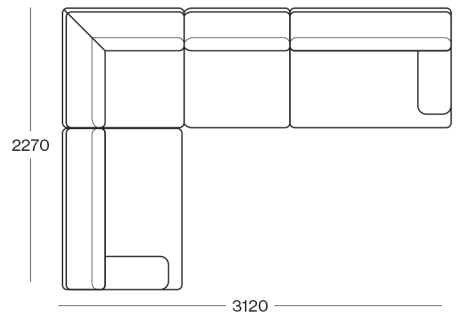
Configuration 5

Espen Open End Corner Sofa
Open End + Corner + 2.5 Seater



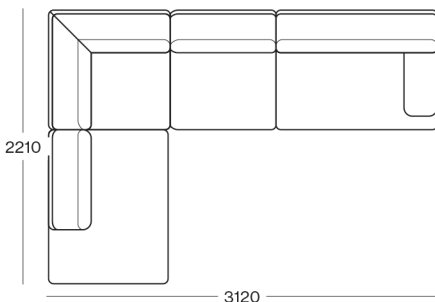
Configuration 6

Espen XL Corner Sofa
2 Seater + Corner + 1 Seater + 2 Seater



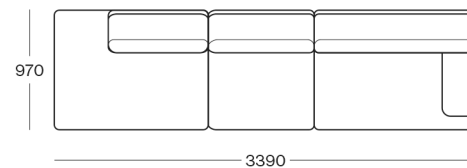
Configuration 7

Espen XL Open End Corner Sofa
Open End + Corner + 1 Seater + 2 Seater



Configuration 8

Espen XL Open End Sofa
Open End + 1 Seater + 2 Seater



trit

Social @trit.house

Website www.trit.house.com.au