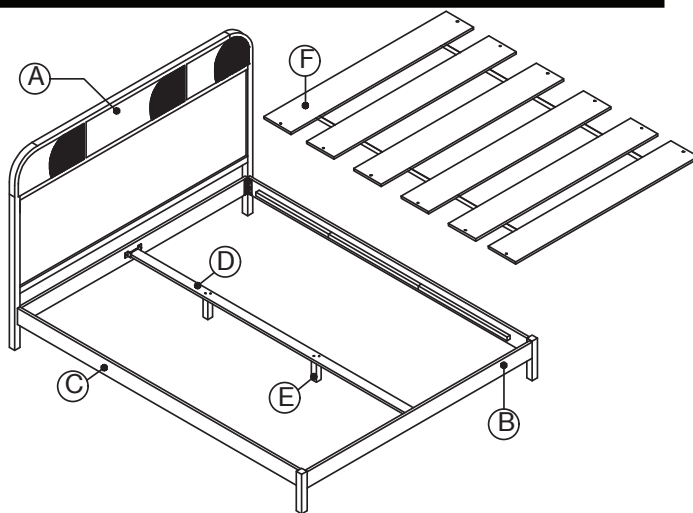


# Elina Bed (Queen & King)

ITEM NO.: 148467 (Queen) & 148468 (King)

## Assembly Instructions:

Thank you for purchasing this Bed. This page lists all the contents included in the box. Please take time to identify the hardware as well as the individual components of this product. Do not discard any of the packing material until all the hardware has been located. As you unpack and prepare for assembly, place the contents on a carpeted or padded area to protect them from damage. Follow these instructions closely as any deviation may void the warranty.



### Fittings:

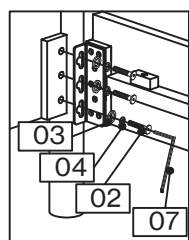
01	JCBC Screw M6x40		x 4
02	JCBC Screw M6x20		x 12
03	Flat Washer M6 x Ø19		x 12
04	Spring Washer		x 16
05	Bracket Bed Support		x 2
06	Truss Head Screw		x 8
07	Allen Key		x 1
08	CSK Screw		x 12
09	Flat Washer M6 x Ø13		x 4

### Parts:

(A)	Headboard	x 1
(B)	Footboard	x 1
(C)	Side Rails	x 2
(D)	Center Rail	x 1
(E)	Center Legs	x 2
(F)	Bed Slat	x 1

### Tools Required:

Screwdriver (not included)

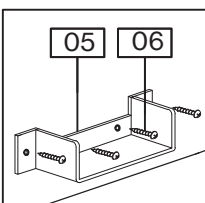
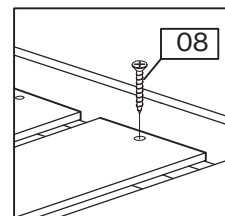


#### STEP 1

Please attaching Side rail to headboard.

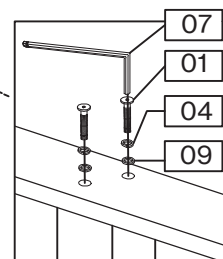
#### STEP 4

Attached the bed slat to bed side rail.



#### STEP 2

Screw the metal support to the head board and footboard then lay the centre rail.



#### STEP 3

Please attach center leg to center rail.

