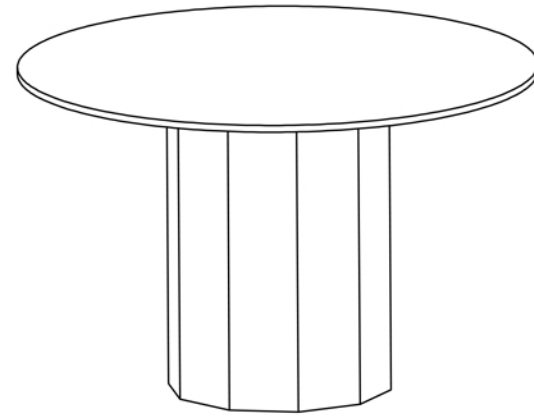


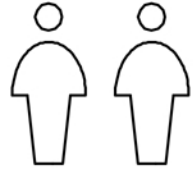
Drum Dining Table

Assembly Instructions:

Thank you for purchasing this Dining Table. This page lists all the contents included in the box. Please take time to identify the hardware as well as the individual components of this product. As you unpack and prepare for assembly, place the contents on a carpeted or padded area to protect them from damage.

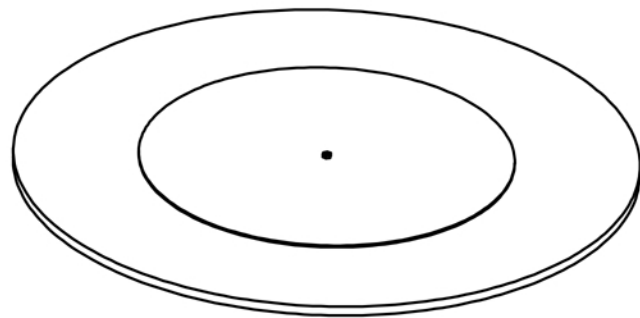


Assembly Requirements:

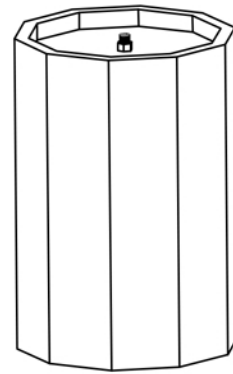


DO NOT USE
POWER TOOLS

Parts:



(A) TABLE TOP= 1PC

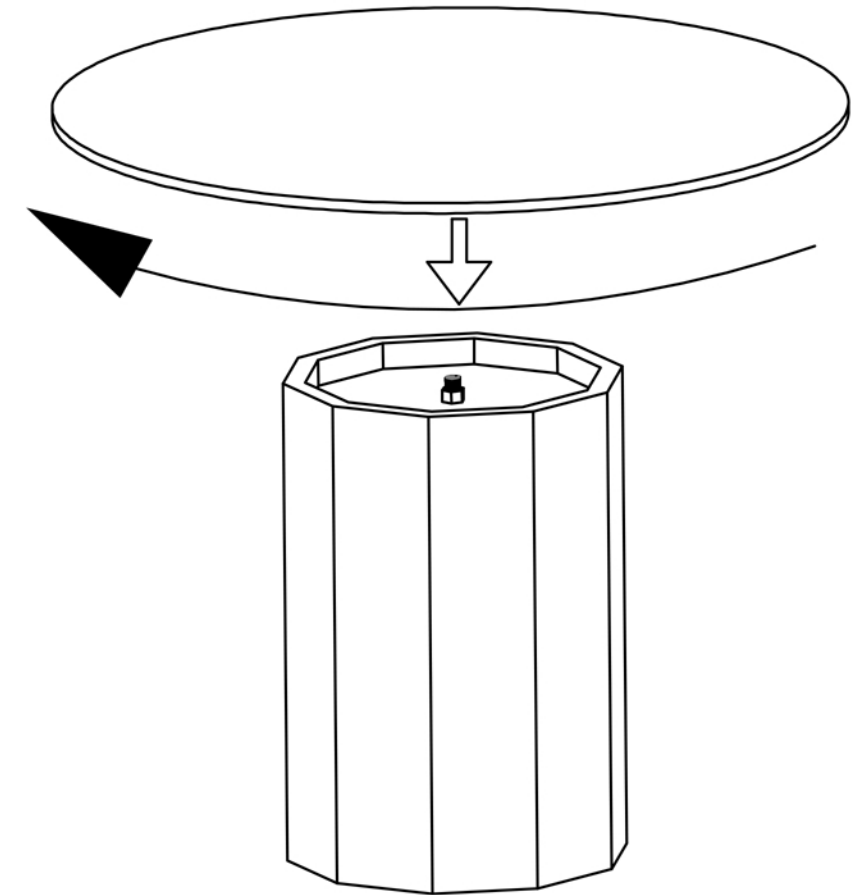


(B) SUPPORT PILLAR =1PC



Drum Dining Table

Step 1



DO NOT OVERTIGHTEN THE SCREW
DO NOT TWIST TOO HARD

