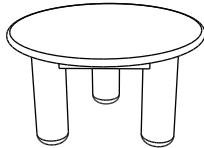


ASSEMBLING GUIDE

Round Coffee Table

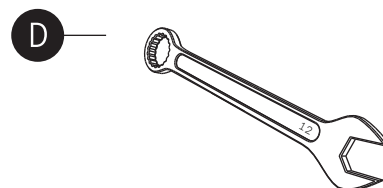
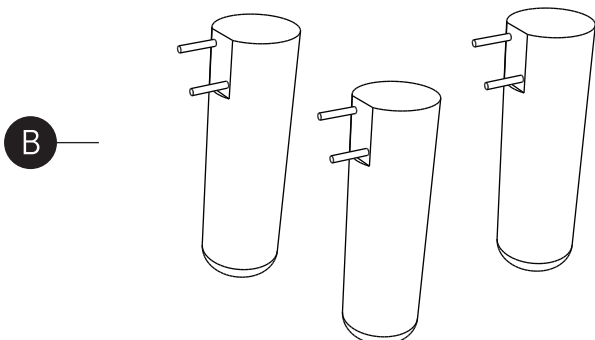
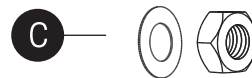


Material used

Wood : Finishing Not Polish
 Iron : -

Box Content

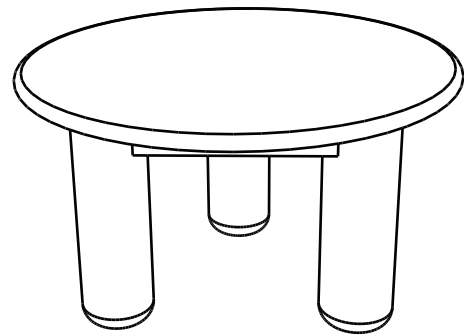
- a. Table top 1 pc
- b. Legs 3 pcs
- c. Nut and rings M8 : 6 pcs
- d. Tools 1 pc



ROUND COFFEE TABLE

DINO

assembling guide

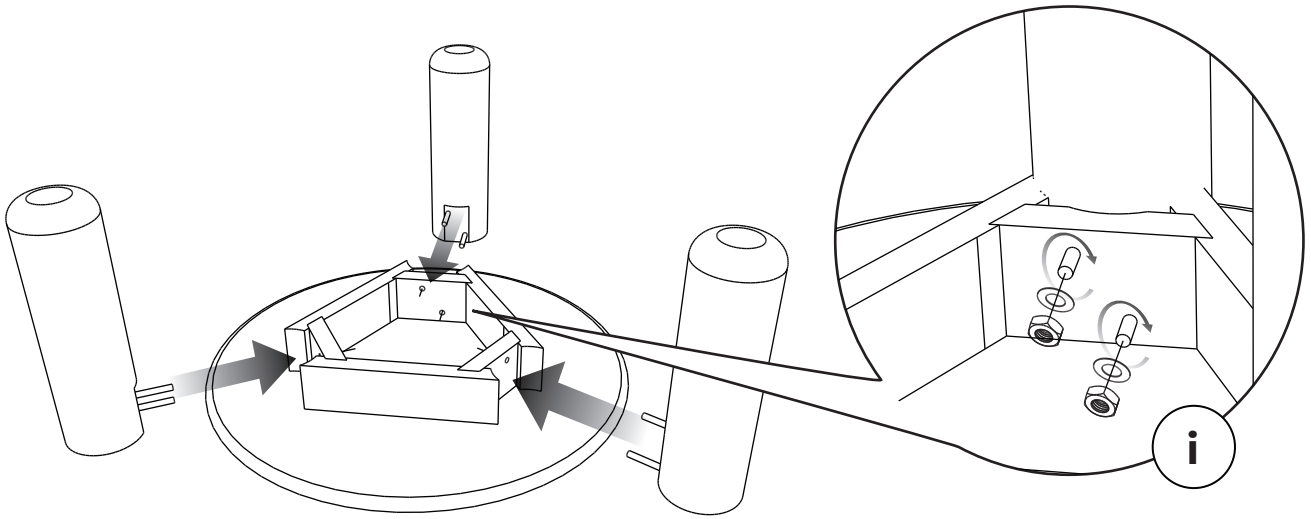


Bodhi[®]

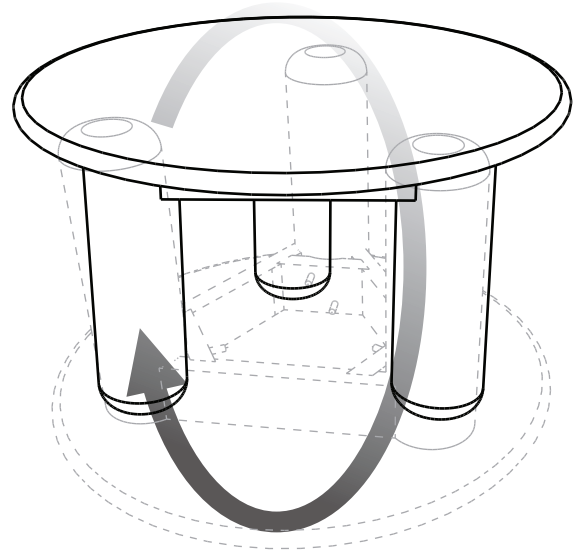
dbodhi.com

PERSON NEEDED

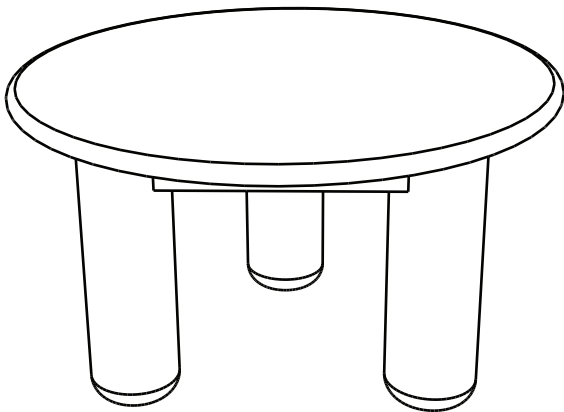




1. Install the legs into the table top as picture above and tighten with nut and rings as in detail (i)



2. Rotate the table into its right position as in picture above.



3. Your coffee table is ready to use!