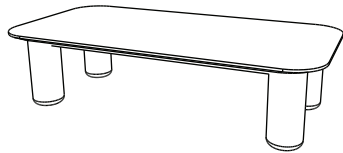


ASSEMBLING GUIDE

Coffee Table

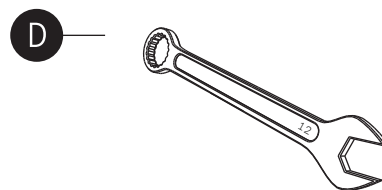
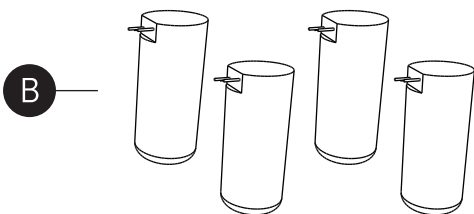
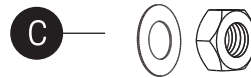


Material used

- Wood : Finishing Not Polish
- Iron : -

Box Content

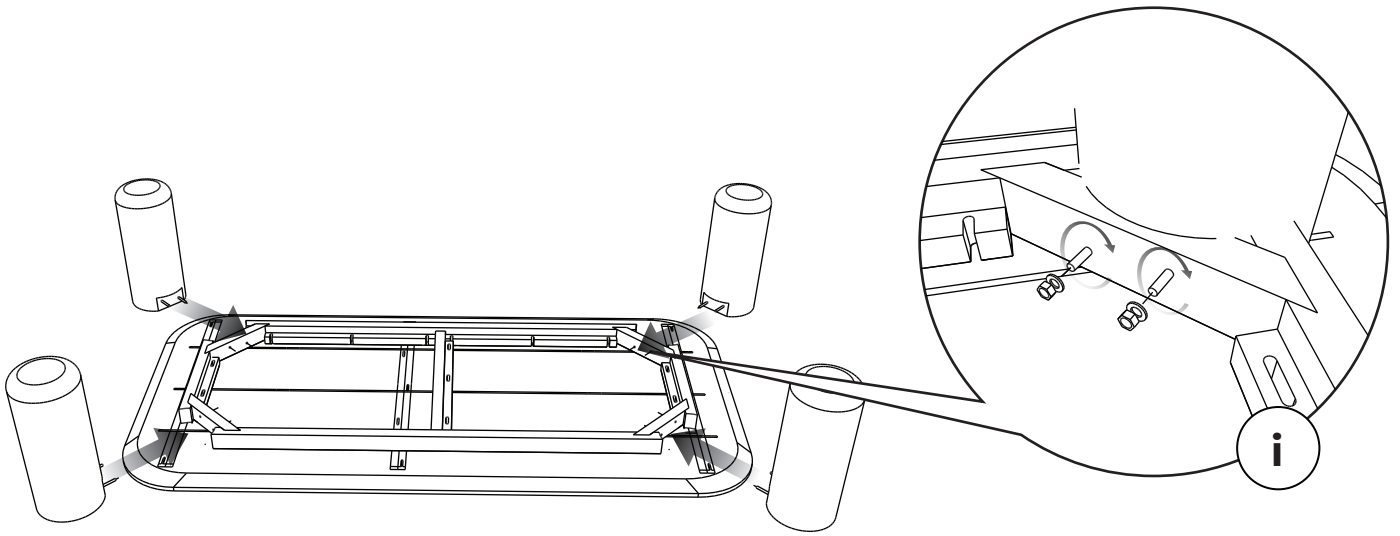
- a. Table top 1 pc
- b. Legs 4 pcs
- c. Nut and rings M8 : 8 pcs
- d. Tools 1 pc



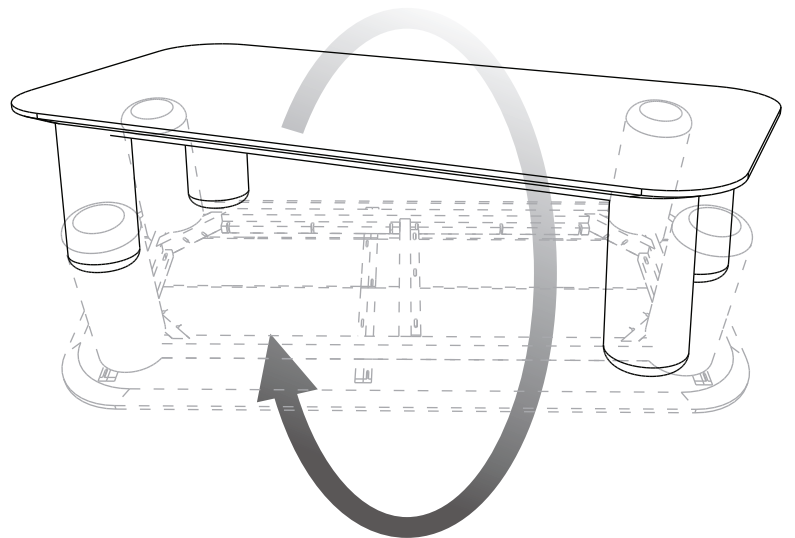
COFFEE TABLE

DINO assembling guide

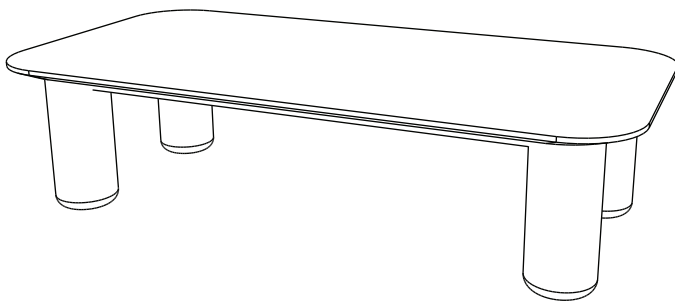
Bodhi[®] dbodhi.com



1. Install the legs into the table top as picture above and tighten with nut and rings as in detail (i)



2. Rotate the table into its right position as in picture above.



3. Your coffee table is ready to use!