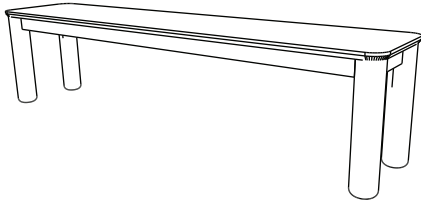


# ASSEMBLING GUIDE

Dino Bench

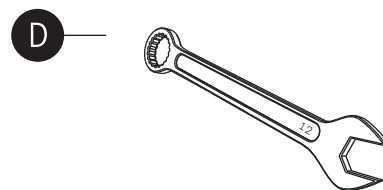
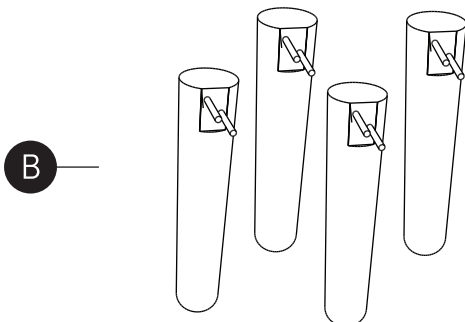
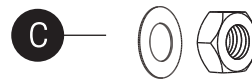
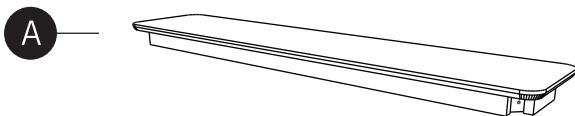


## Material used

- Wood : Finishing Not Polish
- Iron : -

## Box Content

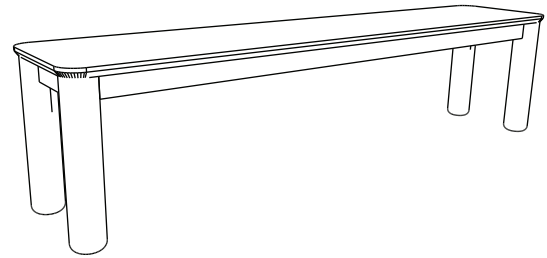
- a. Bench top 1 pc
- b. Legs 4 pcs
- c. Nut and rings M8 : 8 pcs
- d. Tools 1 pc



# BENCH

DINO

assembling guide

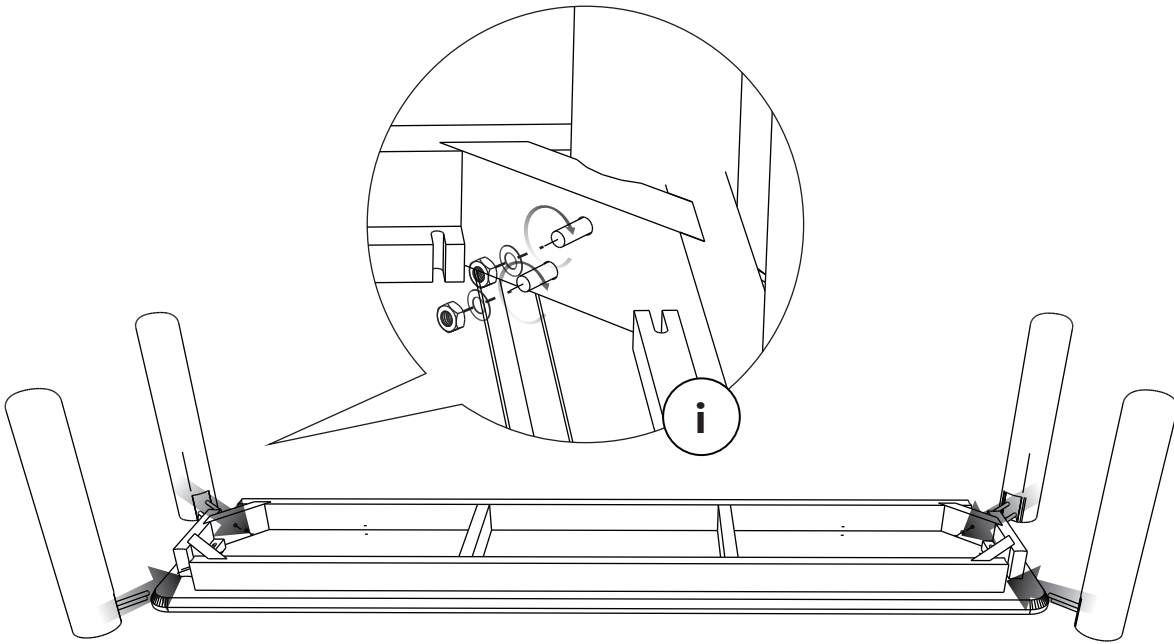


**Bodhi**<sup>®</sup>

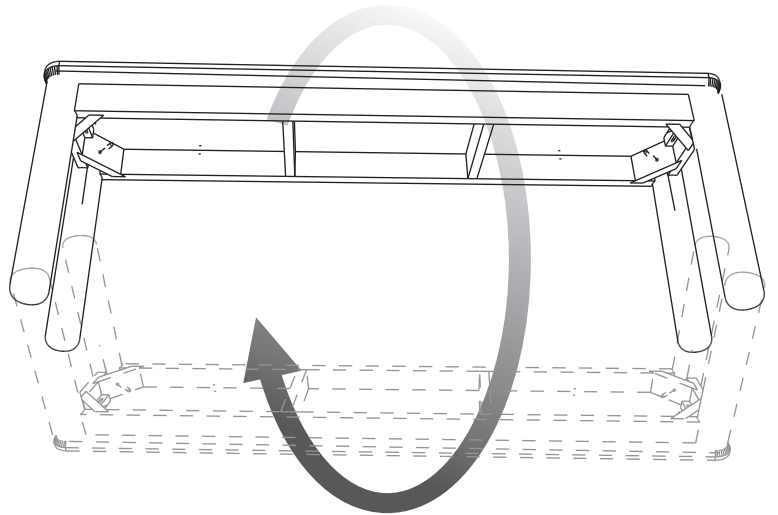
[dbodhi.com](http://dbodhi.com)

PERSON NEEDED

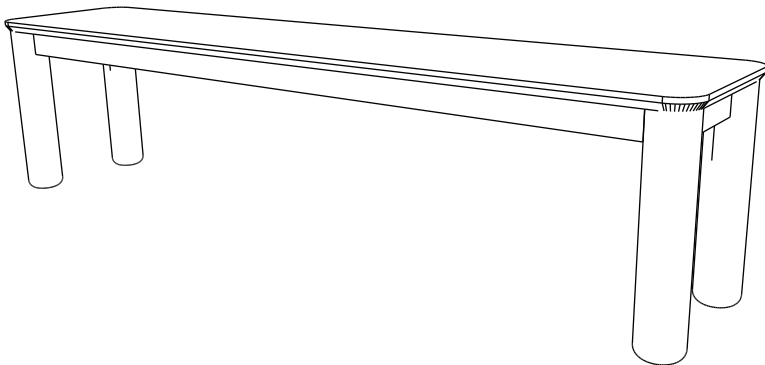




1. Install the legs into the bench top as picture above and tighten with nut and rings as in detail (i)



2. Rotate the bench into its right position as in picture above.



3. Your Dino Bench is ready to use!