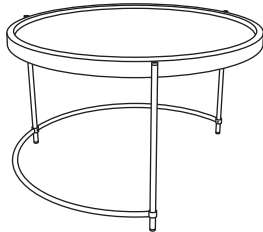


ASSEMBLING GUIDE

Round Coffee Table



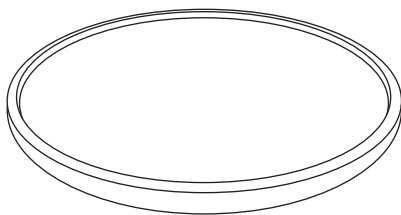
Material used

- Wood : Finishing Not Polish
- Iron : Black Doff

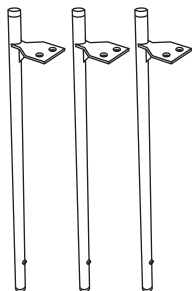
Box Content

- a. Top table 1 pc
- b. Legs 3 pcs
- c. frame leg 1 pc
- d. Hex screw M6x5m : 3 pcs
- e. Hex screw JCBC M6x20m : 6 pcs
- f. Allen key 2 pc

A —



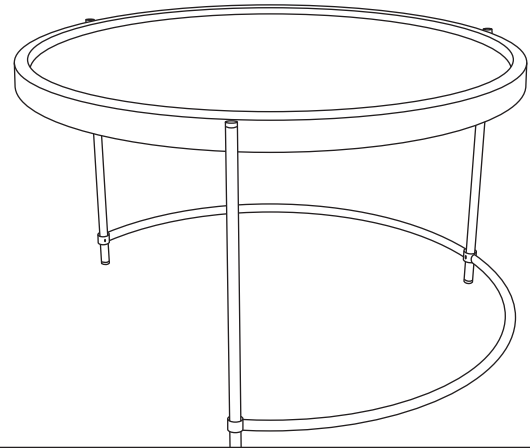
B —



ROUND COFFEE TABLE

COCO

assembling guide



Bodhi[®]

dbodhi.com

TOOL YOU NEED TO PREPARE

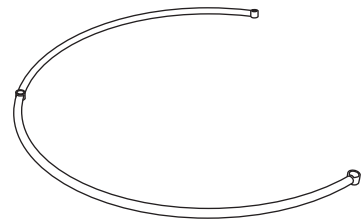


Elbow ruler

PERSON NEEDED



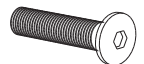
C —



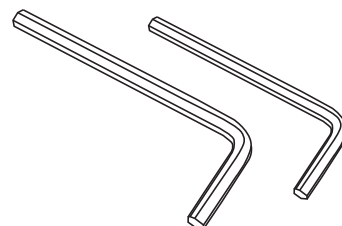
D —

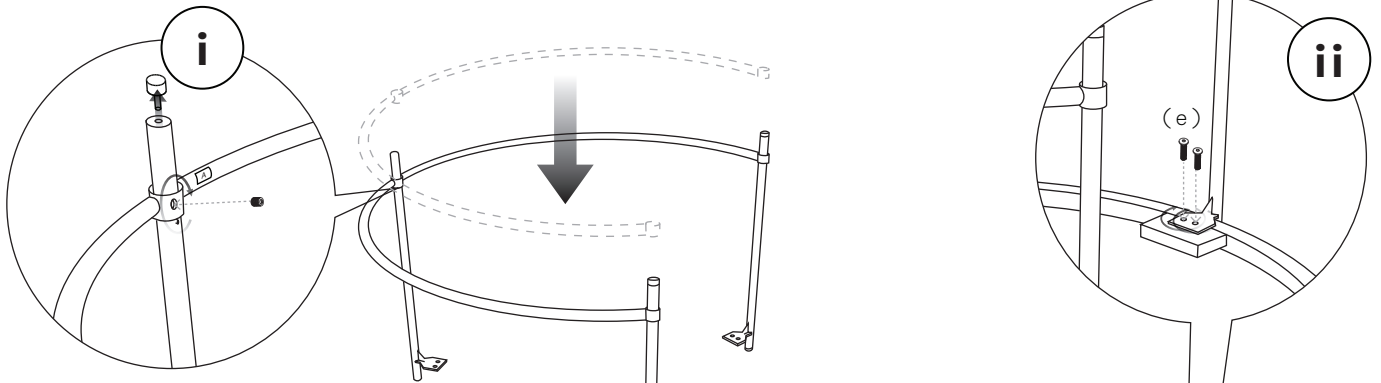


E —



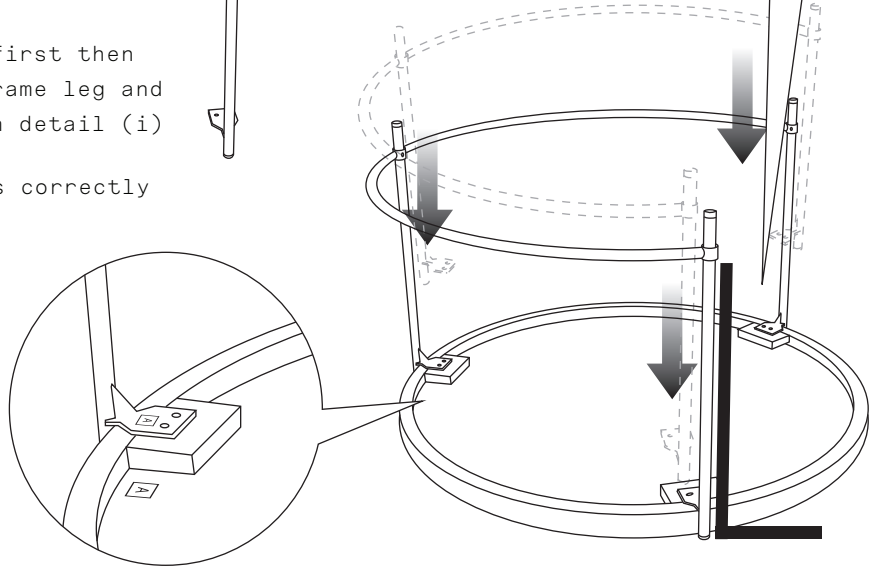
F —



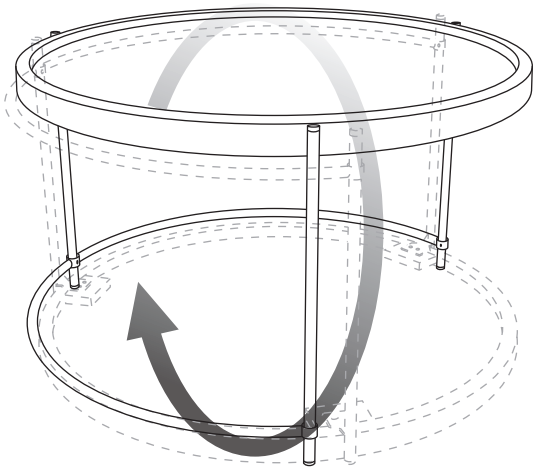


1. Take off the feet adjuster first then install the legs into the frame leg and tighten with hex screw as in detail (i)

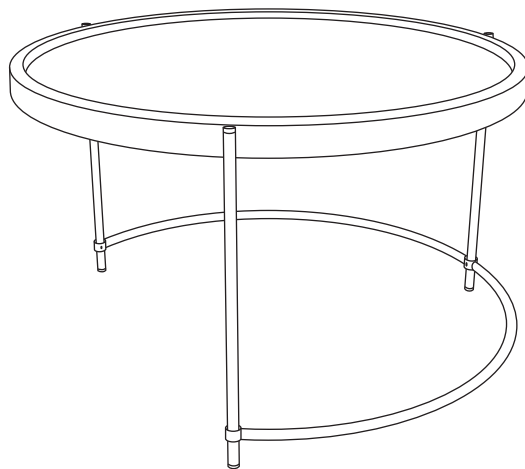
Note : Make sure the code is correctly paired.



2. Instal the legs into the table top as in picture above and tighten with hex screw as in detail (ii). See the code is correctly paired.



3. Rotate the table into its right position.



4. Your round coffee table is ready to use.