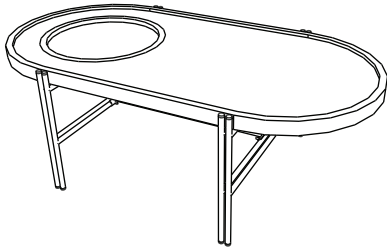


ASSEMBLING GUIDE

Oval Coffee Table with Tray

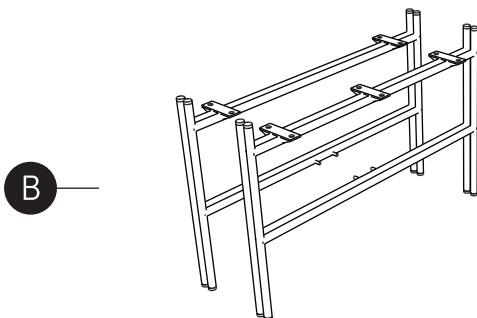
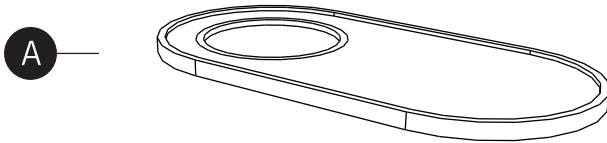


Material used

Wood : Finishing Not Polish
Iron : Black

Box Content

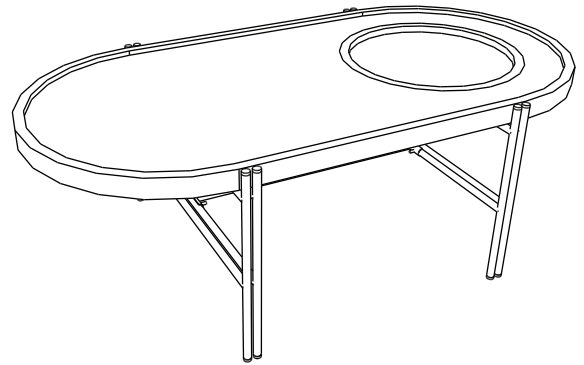
- a. Tops with tray 1 pc
- b. Frame legs 2 pcs
- c. Frame support 1 pc
- d. Hex screw JCBC M6x20mm: 10 pcs
- e. Nuts M6 : 4 pcs
- f. Tool 1 pc



OVAL COFFEE TABLE WITH TRAY

COCO

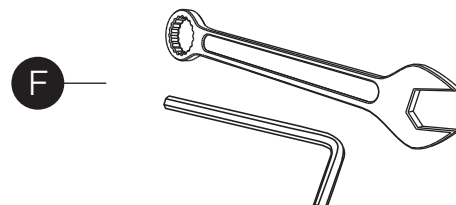
assembling guide

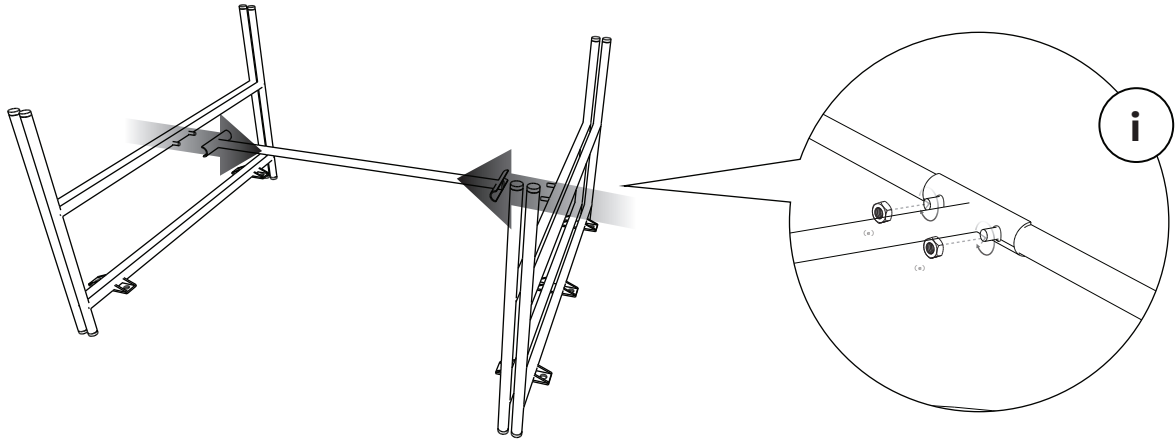


Bodhi®

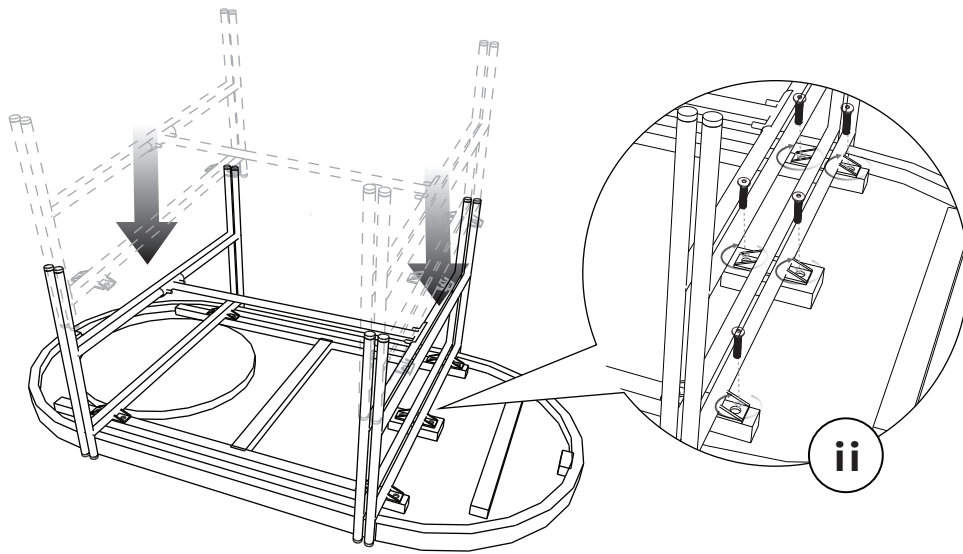
dbodhi.com

PERSON NEEDED

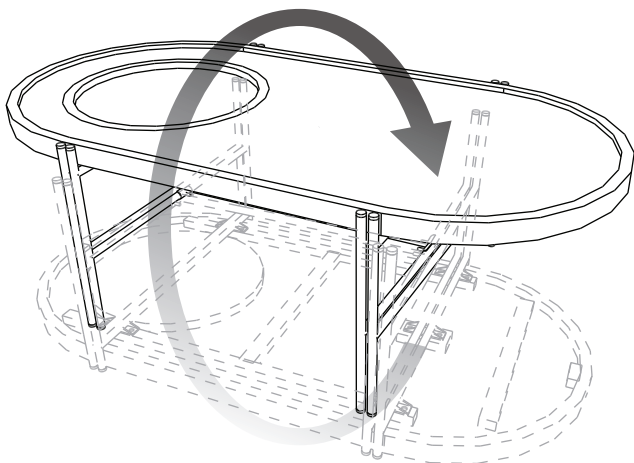




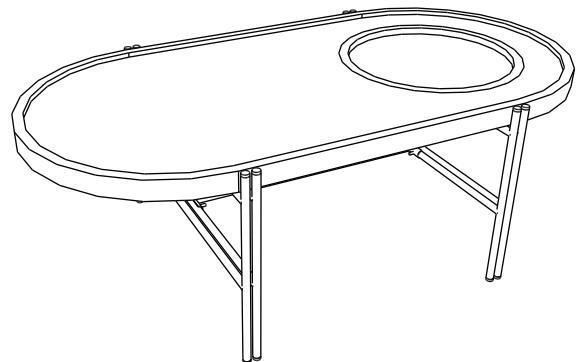
1. Install the frame support into the legs like picture above and tighten with rings and nuts as in detail (i)



2. Install the legs into the table top like picture above and tighten with bolts and rings as in detail (ii)



3. Rotate the table into its right positions.



4. Your coffee table is ready to use!