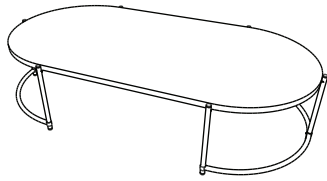


ASSEMBLING GUIDE

Oval Coffee Table

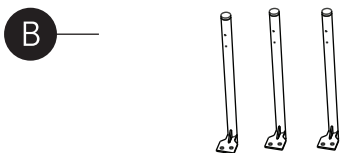
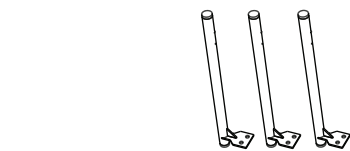
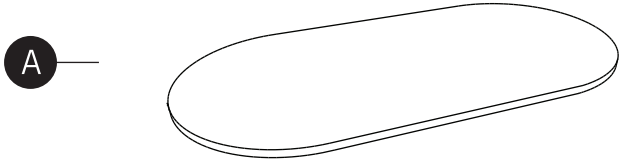


Material used

- Wood : Finishing Not Polish
- Iron : Black

Box Content

- a. Tops 1 pc
- b. Frame legs 6 pcs
- c. Frame support 2 pc
- d. Hex screw M6x5mm : 6 pcs
- e. Hex screw JCBC M6x20mm : 12 pcs
- f. Allen key 2 pcs L3 & L4



OVAL COFFEE TABLE

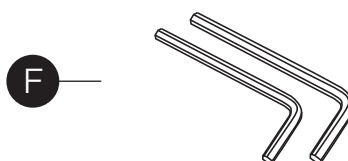
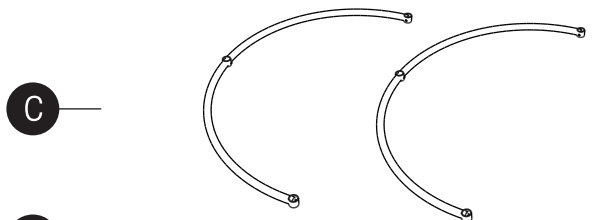
COCO
assembling guide

dbodhi.com

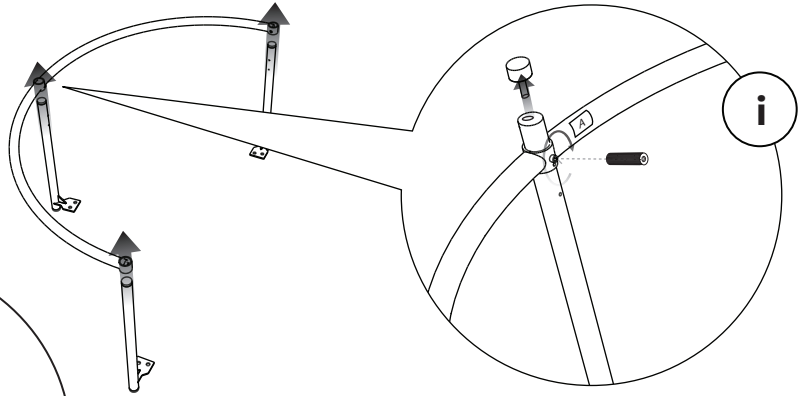
TOOL YOU NEED TO PREPARE

Elbow ruler

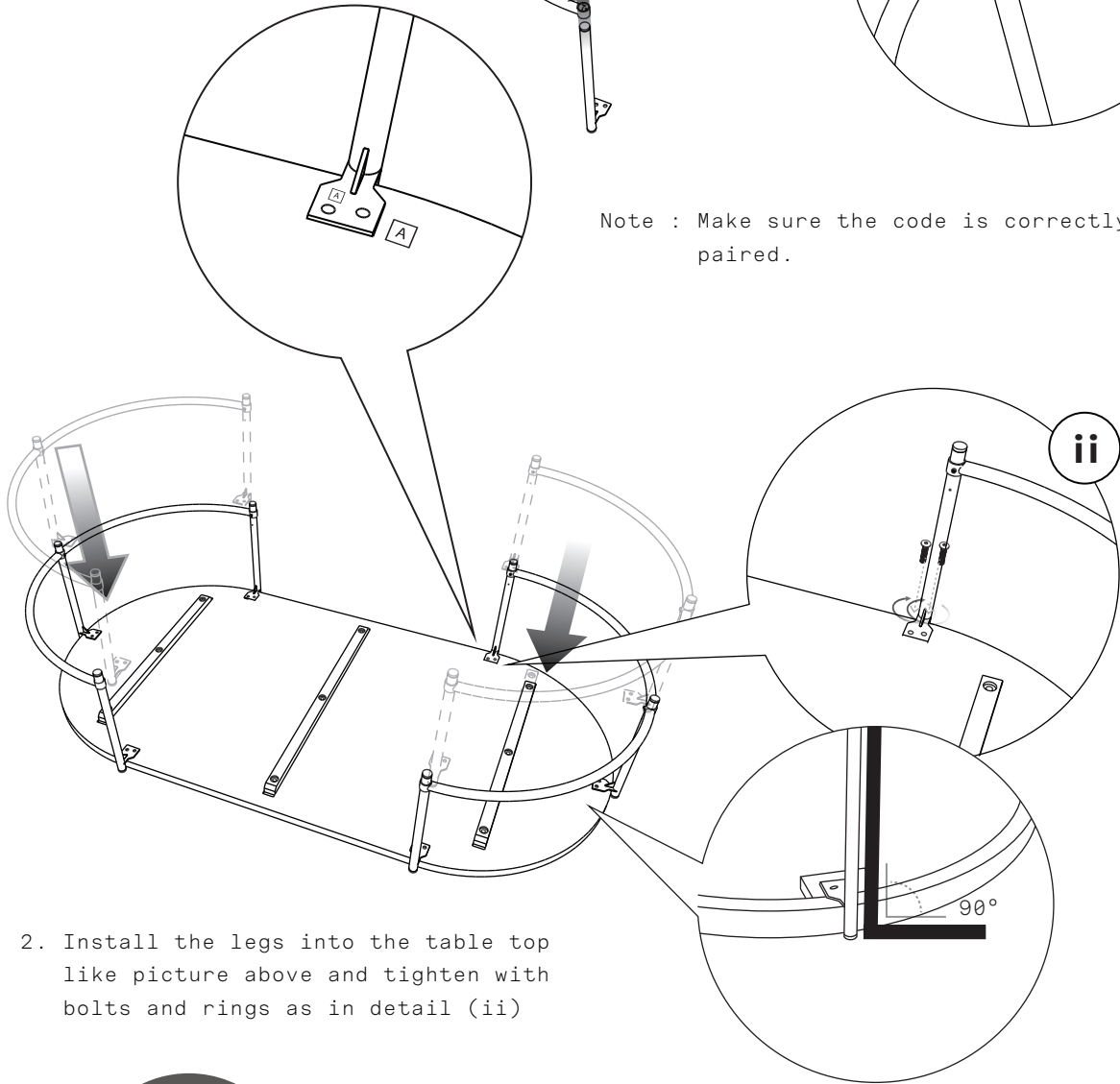
PERSON NEEDED



1. Take off the feet adjuster first then install the frame support into the legs like picture on the right and tighten with rings and nuts as in detail (i)

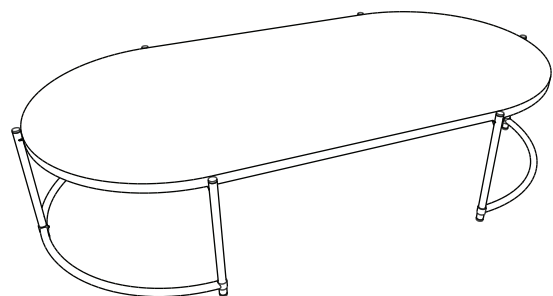
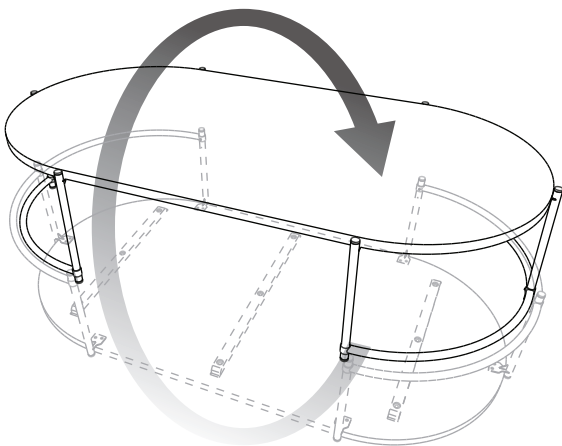


Note : Make sure the code is correctly paired.



2. Install the legs into the table top like picture above and tighten with bolts and rings as in detail (ii)

Note: use the elbow ruler to make sure the legs are standup straight 90° from the floor



3. Rotate the table into its right positions.

4. Your coffee table is ready to use!