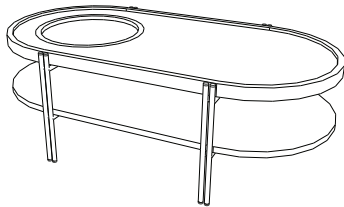


ASSEMBLING GUIDE

Oval Coffee Table 2 Tops with Tray

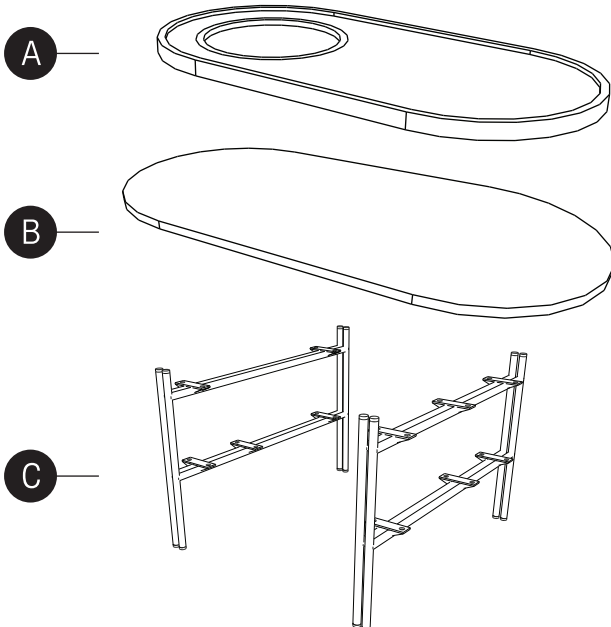


Material used

Wood : Finishing Not Polish
Iron : Black

Box Content

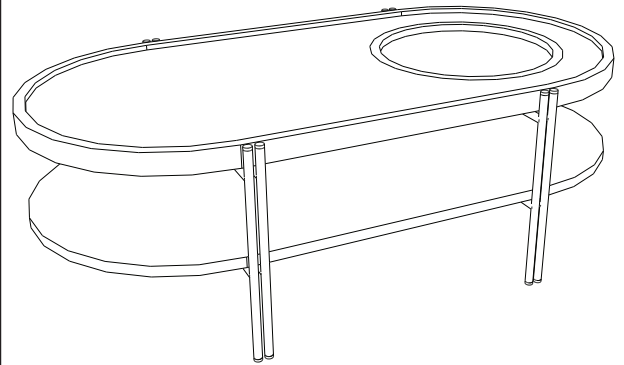
- a. Tops with tray 1 pc
- b. Tops 1 pc
- c. Frame legs 2 pcs
- d. Hex screw JCBC 1.5cm : 22 pcs
- e. Allen key 1 pc



OVAL COFFEE TABLE 2 TOPS WITH TRAY

COCO

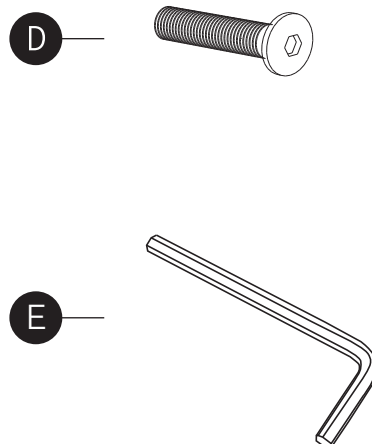
assembling guide

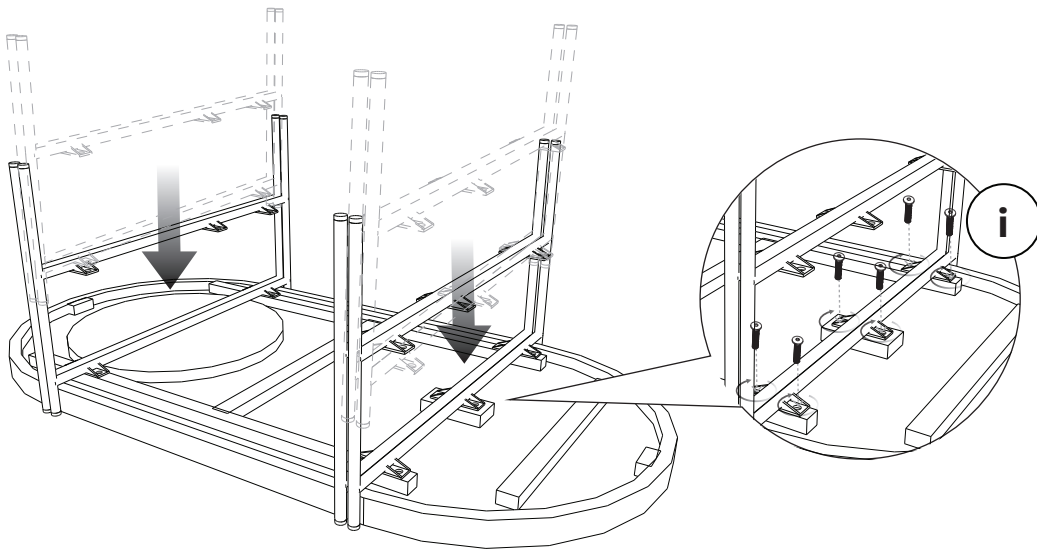


Bodhi®

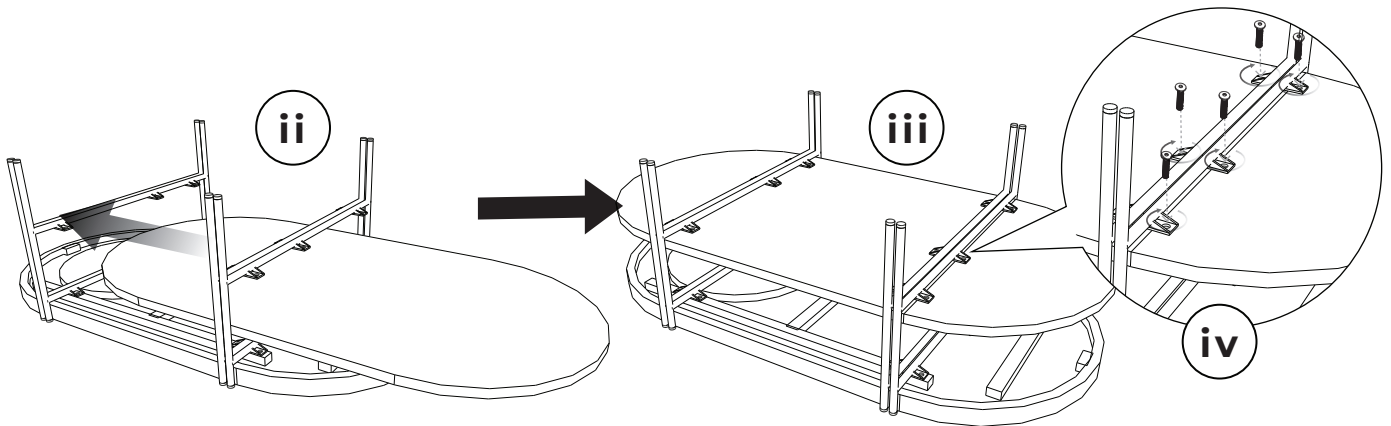
dbodhi.com

PERSON NEEDED

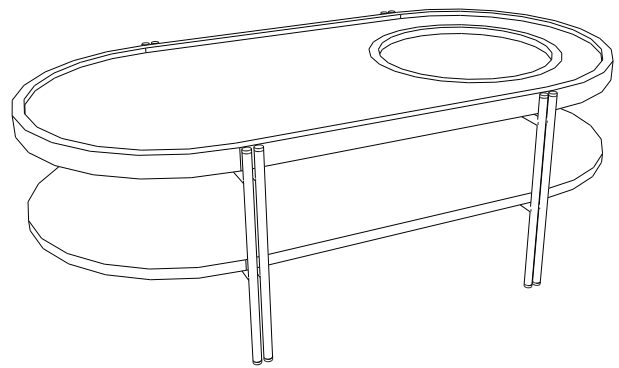
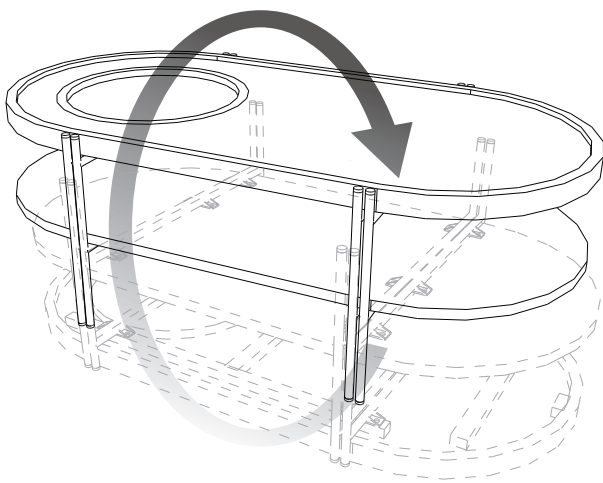




1. Install the legs into the table top like picture above and tighten with bolts and rings as in detail (i)



2. Place the second table top like picture above (ii) into its right position and tighten the top into the frame legs like picture above (iii) and tighten with bolts and rings as in detail (iv)



3. Rotate the table into its right positions.

4. Your coffee table is ready to use!