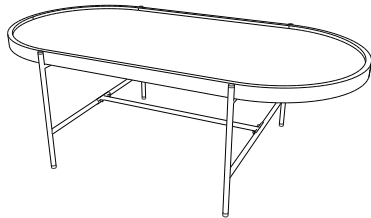


ASSEMBLING GUIDE

Oval Coffee Table

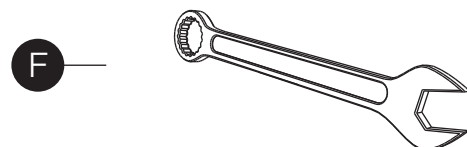
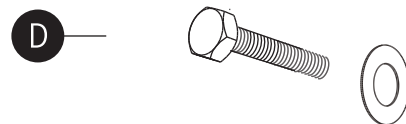
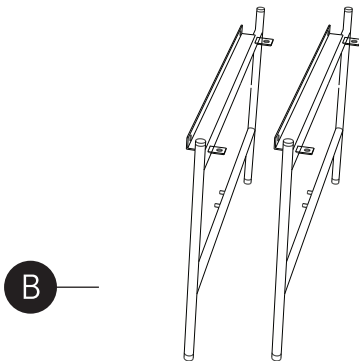
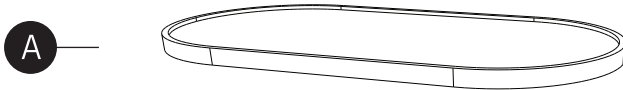


Material used

Wood : Finishing Not Polish
 Iron : Black

Box Content

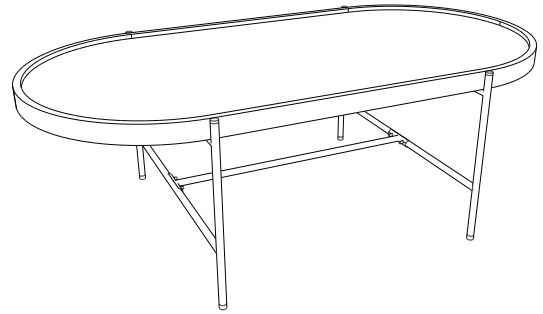
- a. Tops 1 pc
- b. Frame legs 2 pcs
- c. Frame support 1 pc
- d. Bolts M6 2cm and rings 8 pcs
- e. Rings M6 and nuts 4 pcs
- f. Tool 1 pc



OVAL COFFEE TABLE

COCO

assembling guide

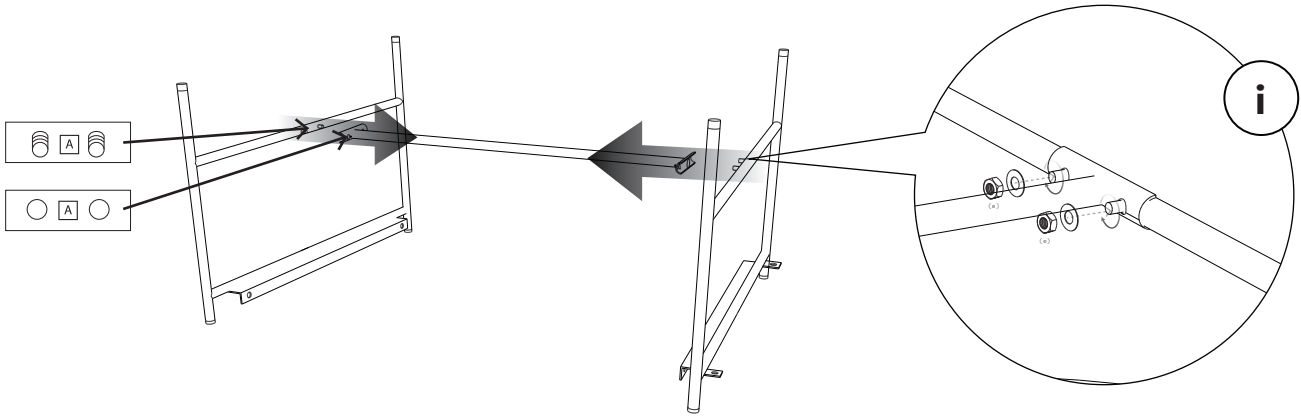


Bodhi[®]

dbodhi.com

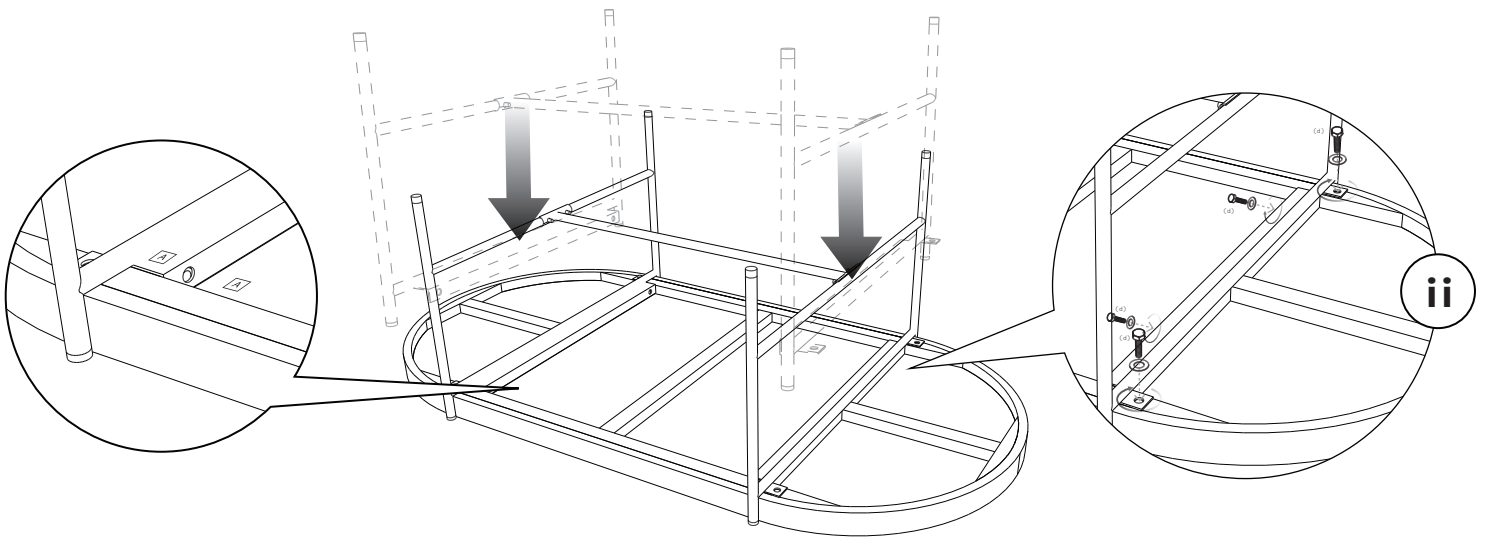
PERSON NEEDED



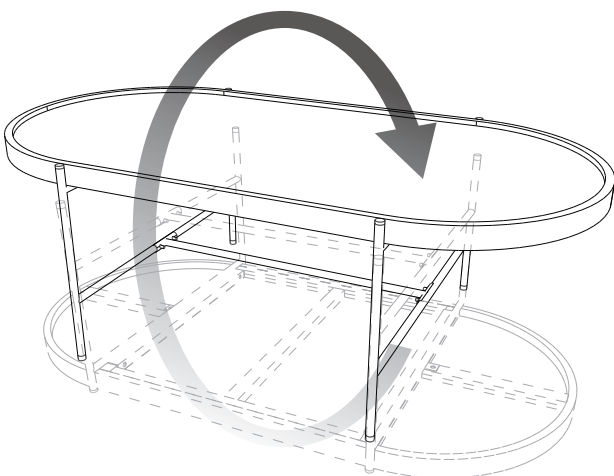


1. Install the frame support into the legs like picture above and tighten with rings and nuts as in detail (i)

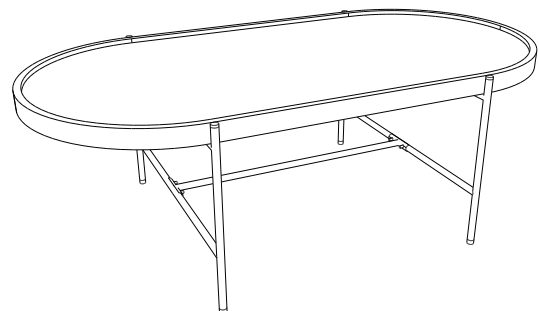
Note : Make sure the code is correctly paired.



2. Install the legs into the table top like picture above and tighten with bolts and rings as in detail (ii). See the code is correctly paired.



3. Rotate the table into its right positions.



4. Your coffee table is ready to use!