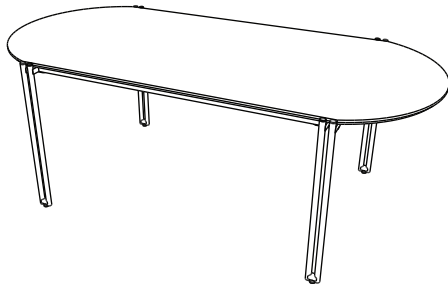


# ASSEMBLING GUIDE

Dining Table

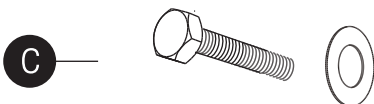
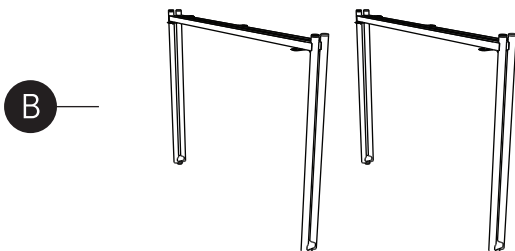


## Material used

- Wood : Finishing Not Polish
- Iron : Black Doff

## Box Content

- a. Top bench 1 pc
- b. Legs 2 pcs
- c. Bolts and rings M4x40 : 4 pcs
- d. Bolts and rings M6x40 : 6 pcs
- e. Bolts and rings M8x20 : 4 pcs
- f. Iron plate 6 pcs
- g. Tool 3 pcs



# DINING TABLE

COCO

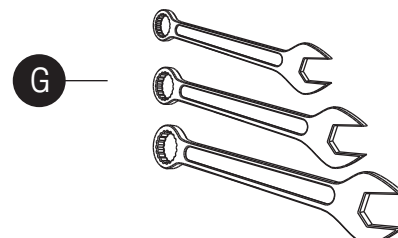
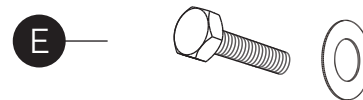
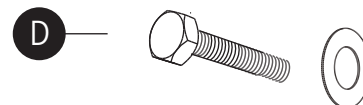
assembling guide

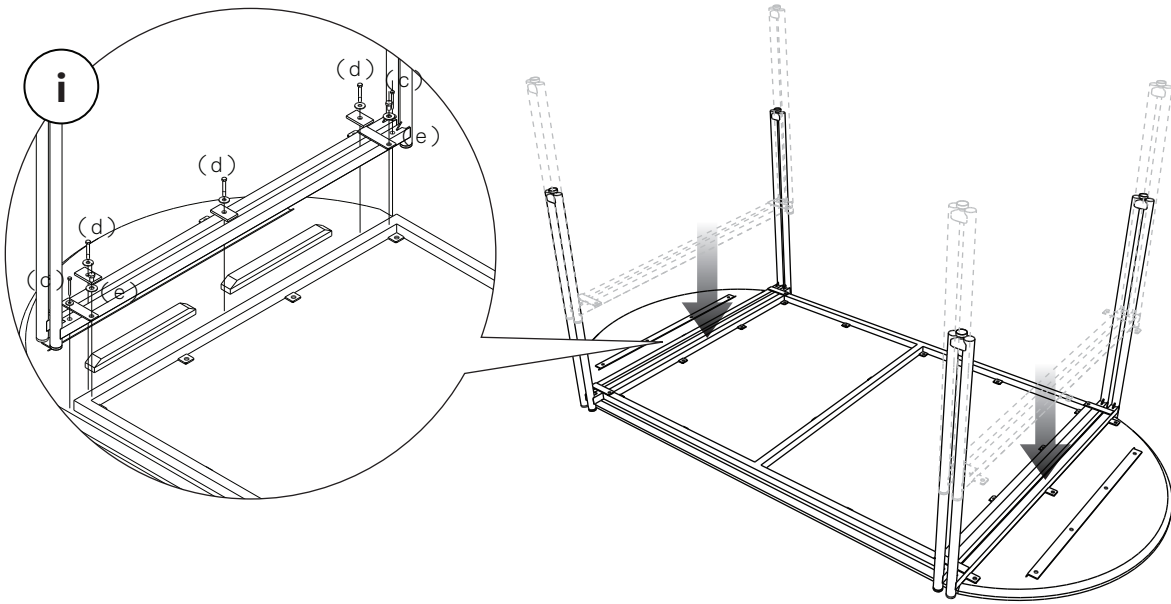


**Bodhi**<sup>®</sup>

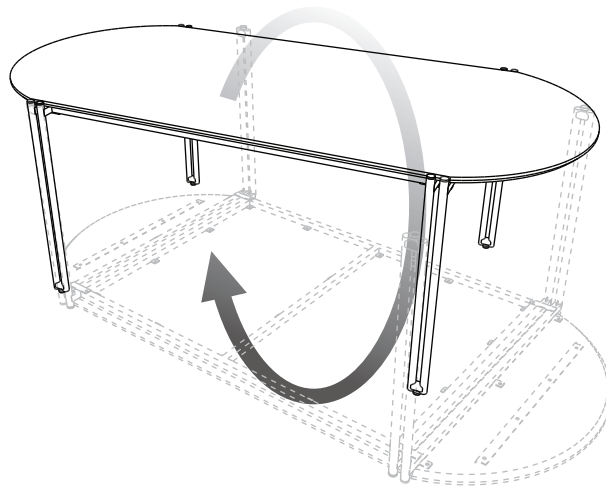
dbodhi.com

PERSON NEEDED





1. Install the legs into the table and tighten with bolts dan rings as in detail (i)



2. Rotate the table into its right position



3. Your dining table is ready.