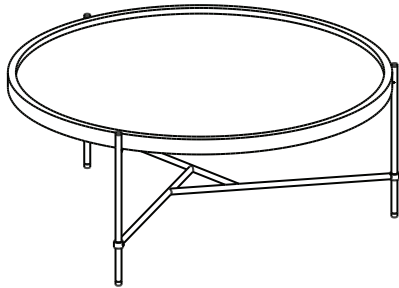


## ASSEMBLING GUIDE

Coffee Table

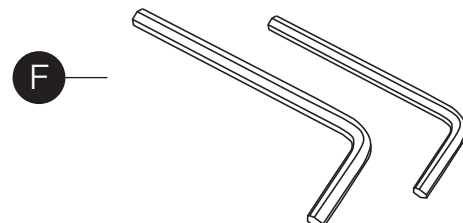
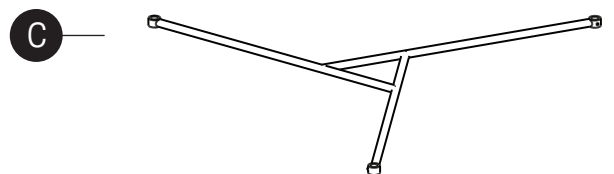
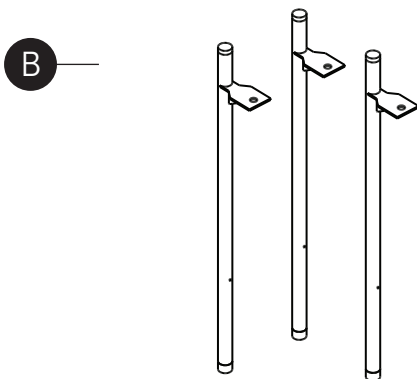
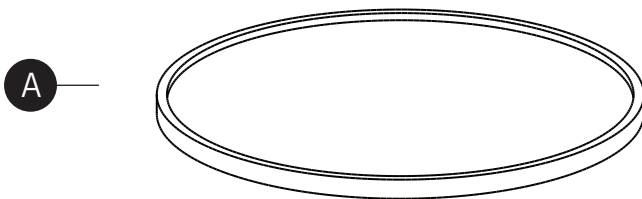


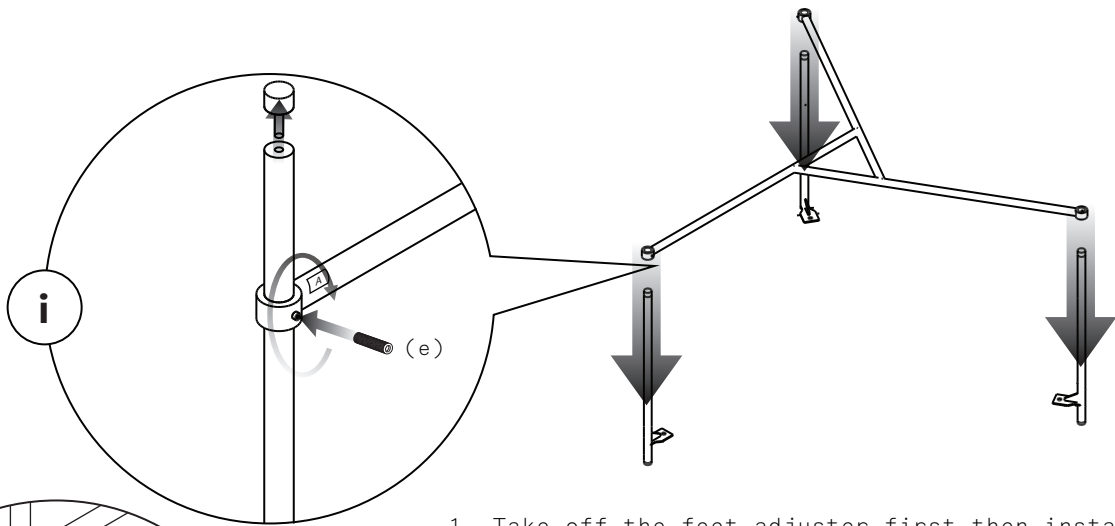
### Material used

Wood : Finishing Not Polish  
 Iron : Black Doff

### Box Content

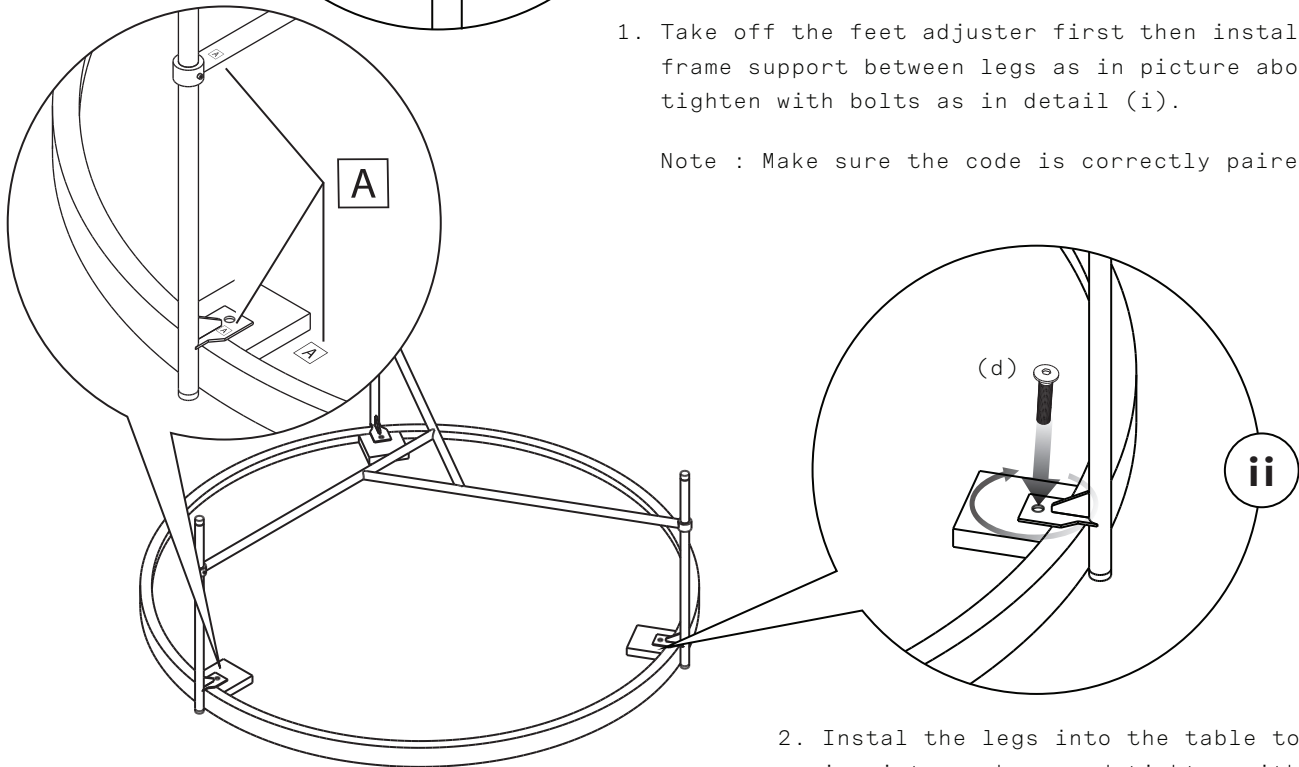
- a. Top table 1 pc
- b. Legs 3 pcs
- c. Legs connector 1 pc
- d. Hex screw JCBC M6x20mm : 3 pcs
- e. Hex screw M6x5mm : 3 pcs
- f. Allen key 2 pc (4mm & 3mm)



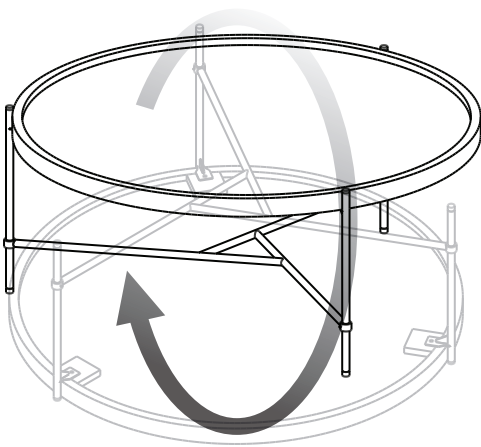


1. Take off the feet adjuster first then instal the frame support between legs as in picture above and tighten with bolts as in detail (i).

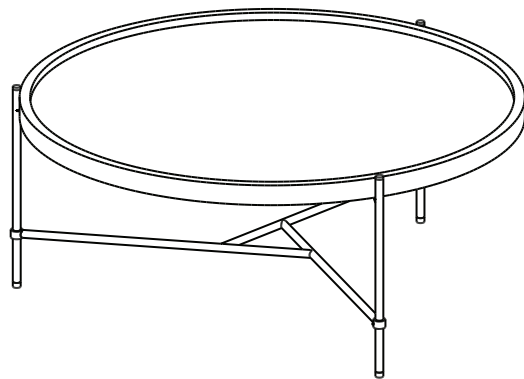
Note : Make sure the code is correctly paired.



2. Instal the legs into the table top as in picture above and tighten with bolts as in detail (ii)



3. Rotate the table into its right position



4. Coffe table is ready.