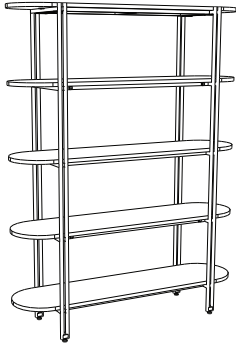


ASSEMBLING GUIDE

Open Boorack 5 Shelves



Material used

- Wood : Finishing Not Polish
- Iron : Black

OPEN BOOKRACK 5 SHELVES

COCO

assembling guide



Bodhi[®]

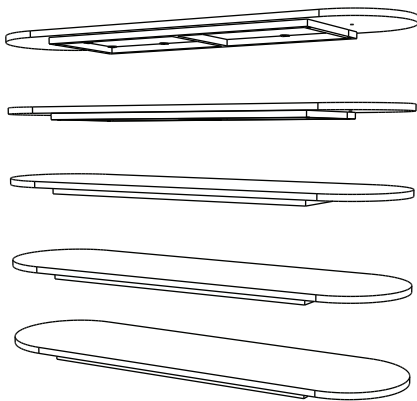
dbodhi.com

Box Content

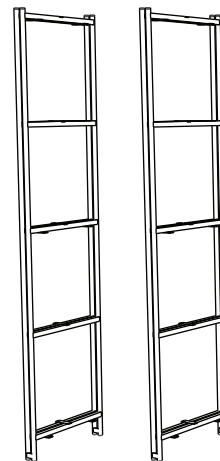
- a. Shelves 5 pcs
- b. Frame legs 2 pcs
- c. Bolts M8x20mm and rings 28 pcs
- d. Bolts M6x20mm and rings 10 pcs
- e. Tool 2 pcs



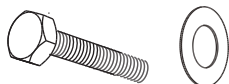
A



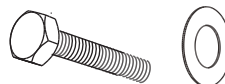
B



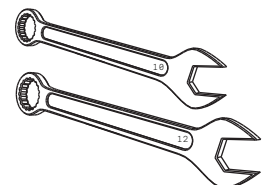
C

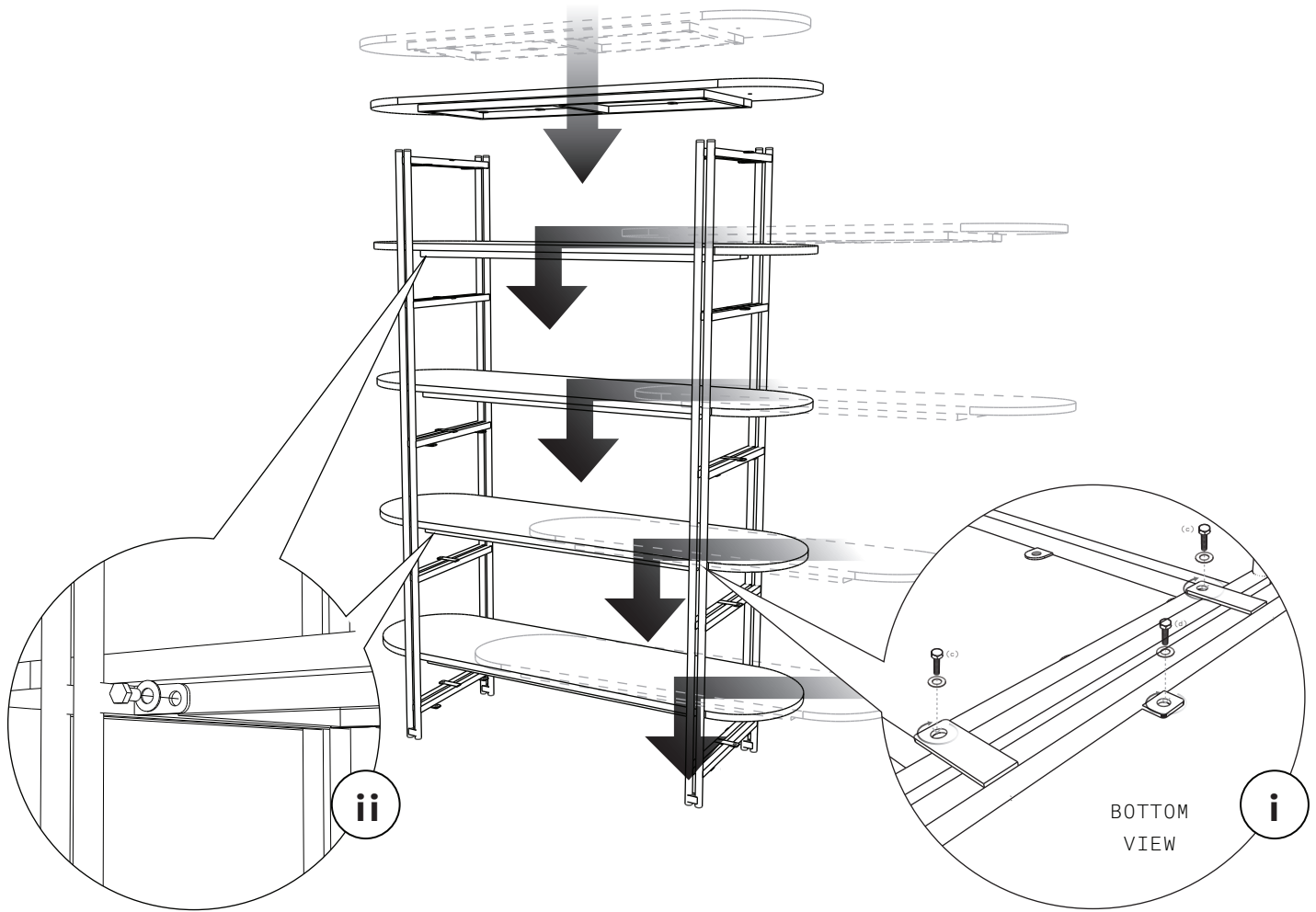


D

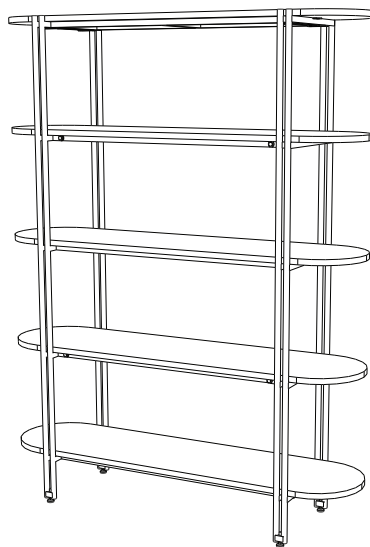


E





1. Place the shelves as in picture above and tighten with bolts and rings as in detail (i) and (ii)



2. Your open rack is ready.