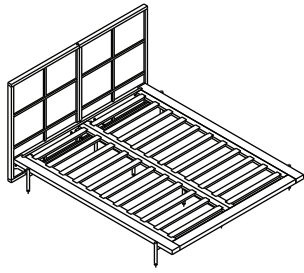


ASSEMBLING GUIDE

Bed

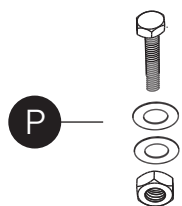
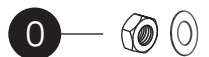
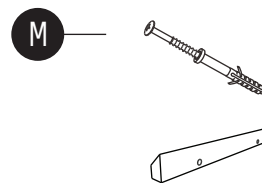
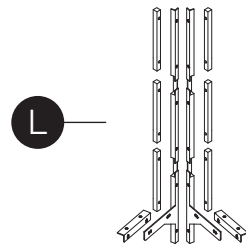
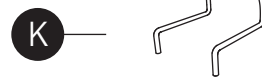
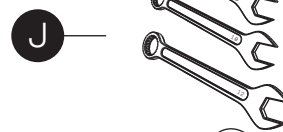
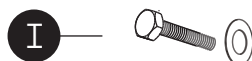
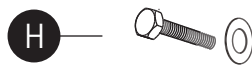
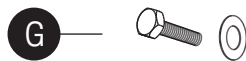
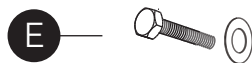
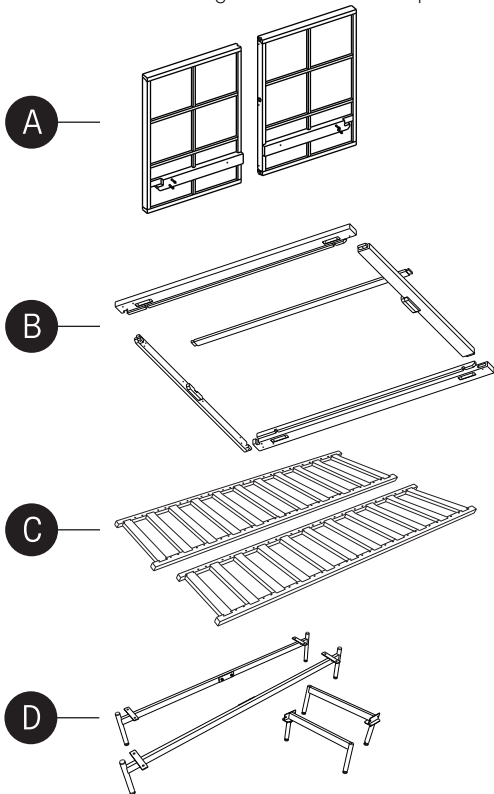


Material used

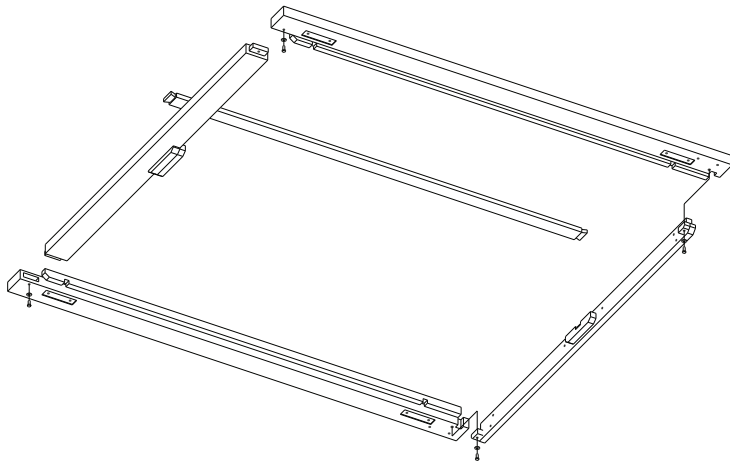
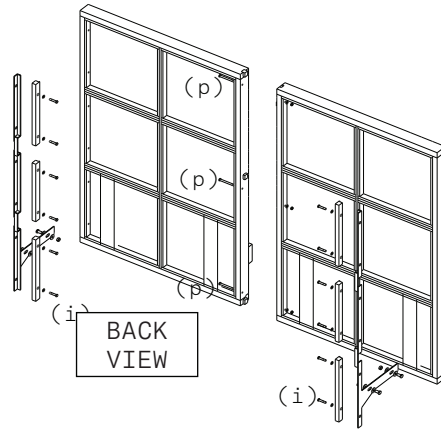
Wood : Finishing Not Polish
 Iron : Black Doff

Box Content

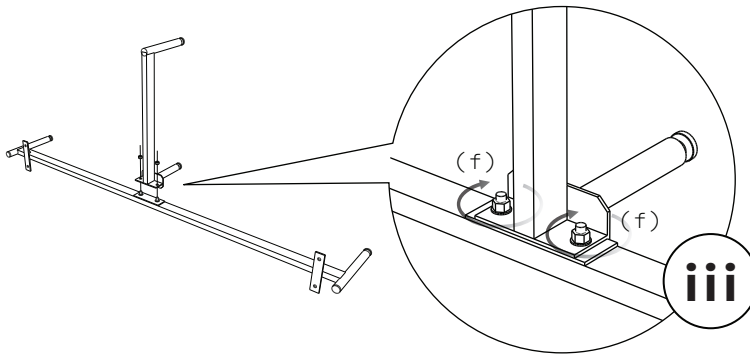
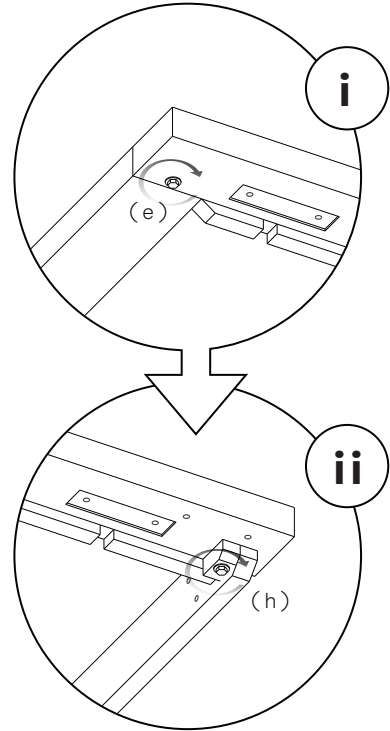
- a. Headboard 1 set
- b. Mattress 1 set
- c. Slat 2 pcs
- d. Frame legs 2 set
- e. Bolt and rings M6x30 : 2 pcs
- f. Nut and rings M8 : 8 pcs
- g. Bolt and rings M6x20 : 16 pcs
- h. Bolt and rings M6x40 : 4 pcs
- i. Bolt and rings M6x50 : 12 pcs
- j. Wrench 3 pcs
- k. Mattress holder 4 pcs
- l. Headboard frame support 2 set
- m. Fisher S6 & Screw 8x1 1/2 : 4 set
- n. Mounting panel 2 pcs
- o. Nut and rings M6 : 4 pcs
- p. Bolt, rings and nut M6x80 : 3 pcs



1. Install the headboard frame support as picture on the right.

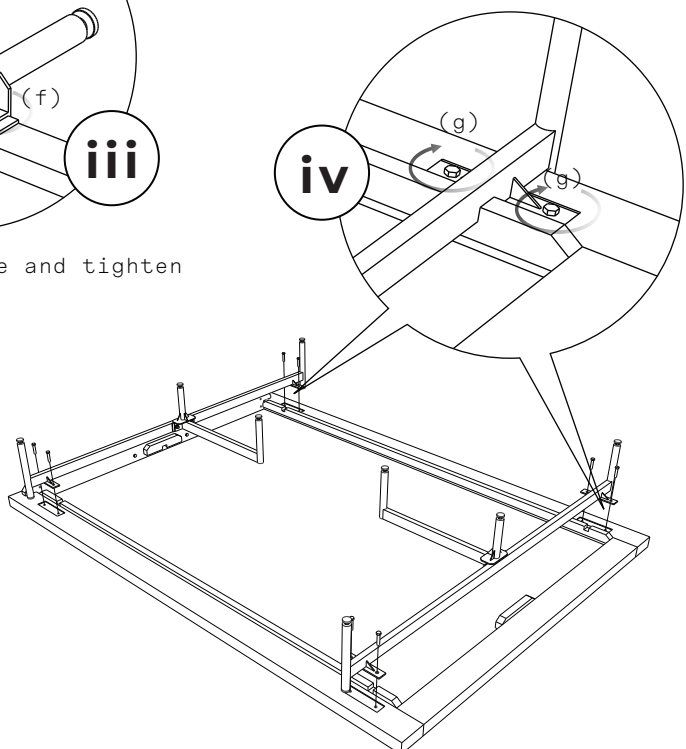


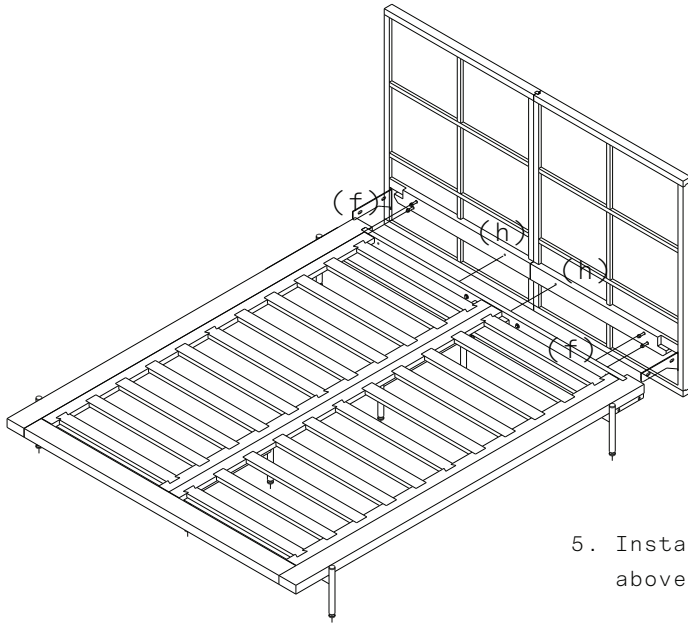
2. Put all the mattress component into one as in picture above and tighten with bolt and rings as in details (i) and (ii)



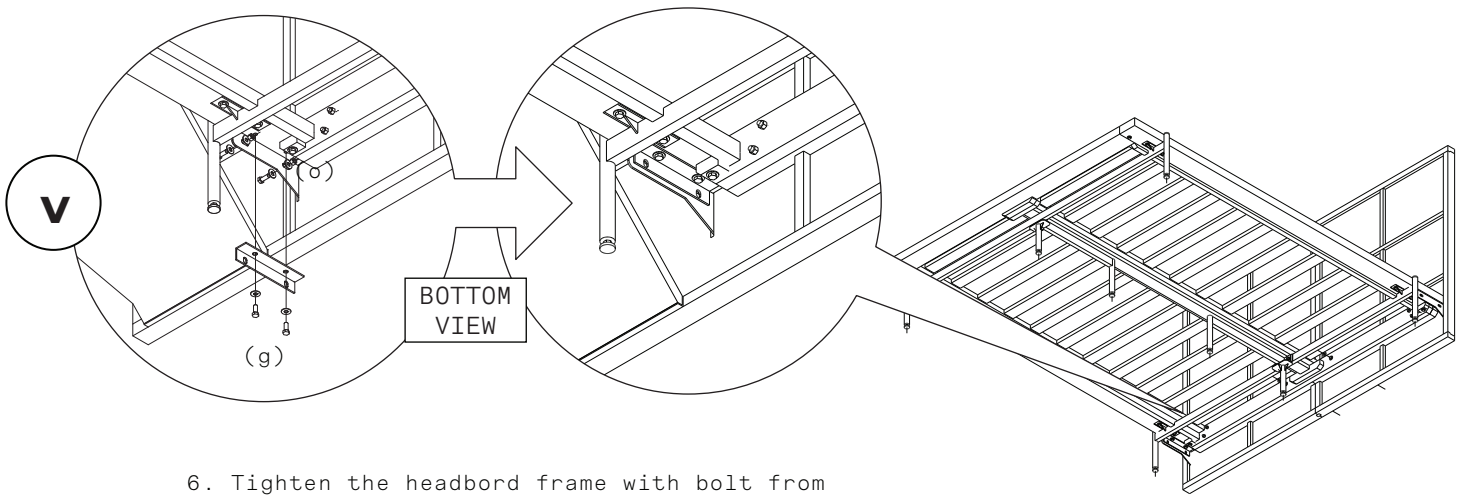
3. Install the frame legs as picture above and tighten with ring and nut in detail (iii)

4. Install the frame legs into mattress as picture above and tighten with ring and bolt as in detail (iv)

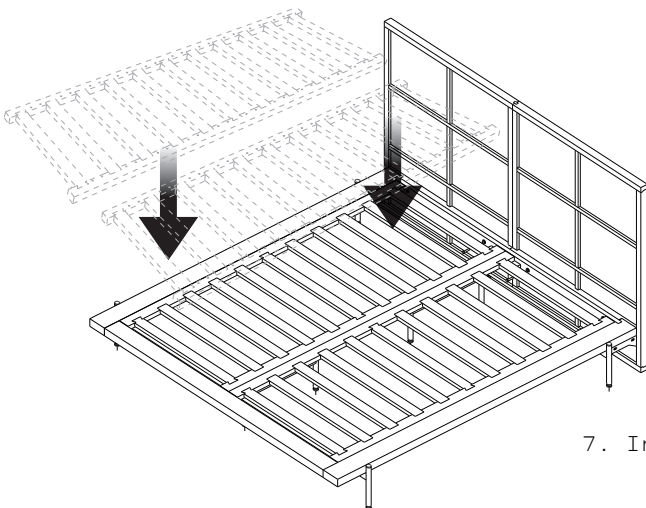




5. Instal the headbord into the mattress as picture above and tighten with ring and bolt.

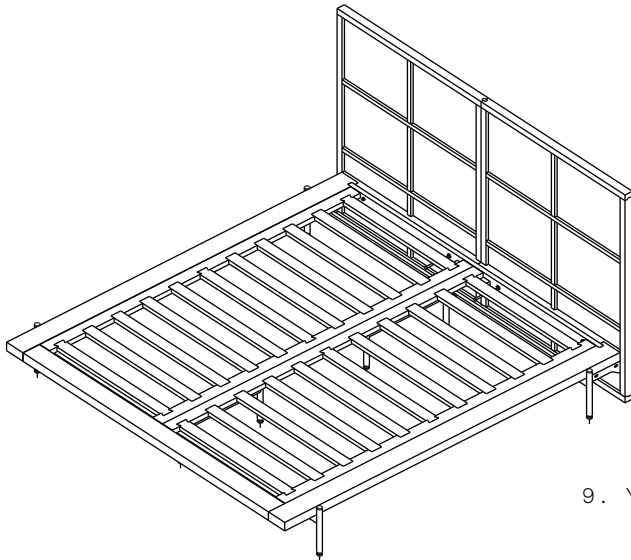
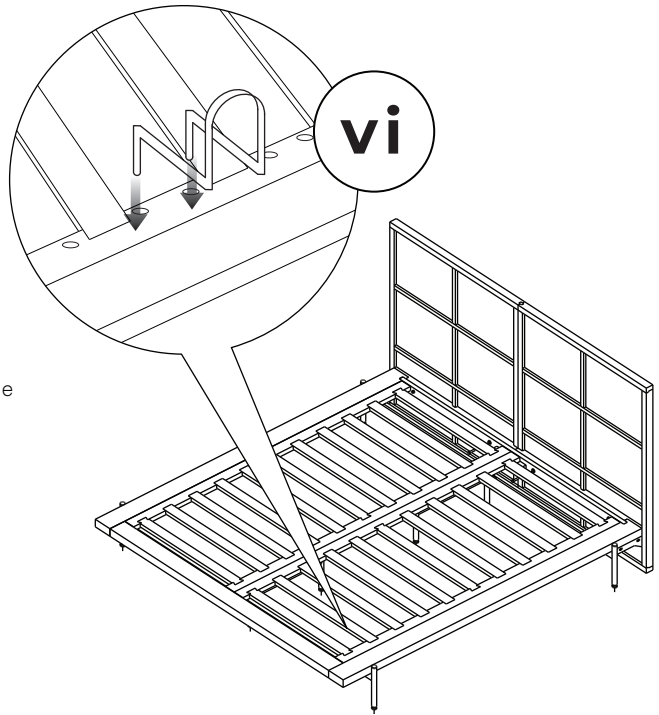


6. Tighten the headbord frame with bolt from the inside as in detail (v)



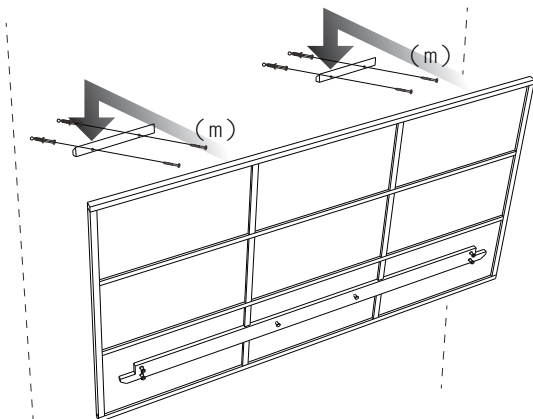
7. Install the slat into the mattress

8. Put the holder into the slat to keep the mattress steady as in detail (vi).



9. Your bed is ready to use

MOUNTED PANEL INSTALMENT



- Install mounted panel with screw set to the wall.
- Hang the headboard to installed mounted panel

NOTE :

If your bed has a bed side, install the bedside first into the headboard before hanging it. If didn't, then directly hang the headboard to installed mounted panel.